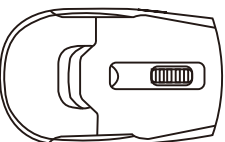
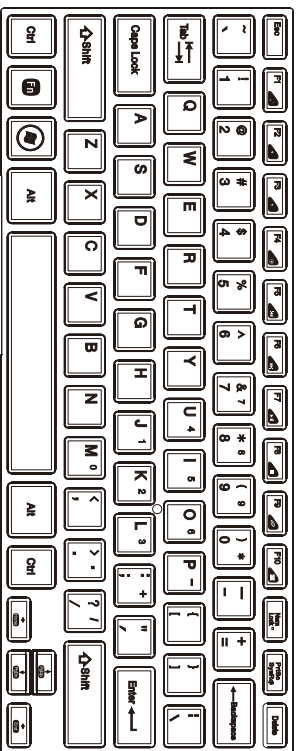


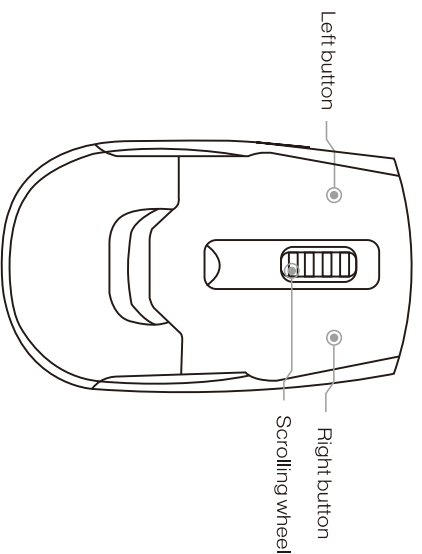
## MODEL NO :KM 211&M7110



## Mini Keyboard&Mouse with illuminated

### Mouse button

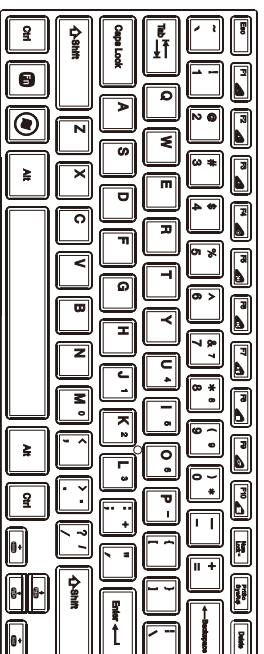
- Left button
- Right button
- Scrolling wheel



### Step:

- Take out the micro receiver from mouse, and plug it into the USB Port of your computer.
- Insert the batteries as the show in the battery compartment for mouse and keyboard.
- Replace the battery cover.

### Keyboard



### Multimedia Hot Keys

- Fn+Multimedia
- F1: Music
- F2: Volume-
- F3: Volume+
- F4: Mute
- F5: Previous
- F6: Next
- F7: Play/Pause
- F8: Stop
- F9: Refresh
- F10: E-mail

### Features:

- RF 2.4G Wireless technology
- Low power consumption
- With 2\*AAA Battery for Keyboard
- 2\*AAA battery for Mouse
- Support Windows 2000/XP/Vista/7/8 and Mac 1.0.0 or higher version.

This device complies with part 15 of the FCC Rules. Operation is subject to the following two conditions:

- (1) This device may not cause harmful interference, and
- (2) this device must accept any interference received, including interference that may cause undesired operation.

Note: This equipment has been tested and found to comply with the limits for a Class B digital device, pursuant to part 15 of the FCC Rules. These limits are designed to provide reasonable protection against harmful interference in a residential installation. This equipment generates uses and can radiate radio frequency energy and, if not installed and used in accordance with the instructions, may cause harmful interference to radio communications. However, there is no guarantee that interference will not occur in a particular installation. If this equipment does cause harmful interference to radio or television reception, which can be determined by turning the equipment off and on, the user is encouraged to try to correct the interference by one or more of the following measures:

- Reorient or relocate the receiving antenna.
- Increase the separation between the equipment and receiver.

- Connect the equipment into an outlet on a circuit different from that to which the receiver is connected.
- Consult the dealer or an experienced radio/TV technician for help.

Any Changes or modifications not expressly approved by the party responsible for compliance could void the user's authority to operate the equipment.