

SL80032/SL80033 Bluetooth Ornament

Please read these instructions carefully before use and retain for future reference.

In the box

Bluetooth Ornament x 1

User's manual x 1

Safety Instructions

This product is not a toy. Keep away from children.

Do not use this product if it has been dropped or damaged in any way.

Refer all servicing to qualified electrician. Don't attempt to service this product yourself, inappropriate repairs may place you at serious risk.

Keep the product away from direct sunlight, flame, heat source, dust, humidity, water and any other liquids.

Do not operate this product in electrical storm, wet or excessive heat conditions.

Use appropriate power sources.

Do not use this product for anything other than its intended use.

Interference may occur if the product near to other devices

Surface clean only, you may use soft-cloth to clean the surface.

Never use abrasive cleaning solvent to clean.

Getting Started

Remove the Bluetooth ornament from the box

Remove any packaging from the product

Retain all packaging until you have checked and counted all the parts and the contents against the parts list.

Key Features

Bluetooth 4.1

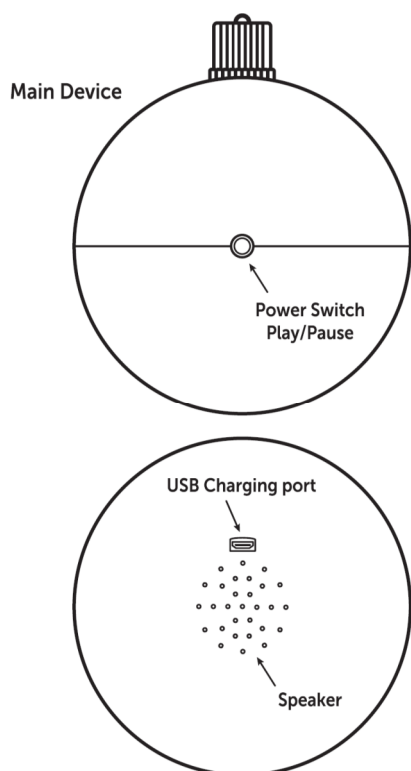
Built-in rechargeable battery

App supported by iOS and Google Play Store

Playing music wirelessly

Changing color lights when playing music

Description of Parts



1. Main device
2. Power Switch/Play/Pause
3. USB Charging port
4. Speaker

Instruction for Use

Charging Instructions:

The SL80032/SL80033 comes with a built in rechargeable battery.

1. Turn off the device before charging
2. Connect the device with computer USB port or any 5V USB adaptor(not included) with the USB cable (not included)
3. Red LED turns ON during charging, turns OFF after fully charged
4. An indication sound will be emitted when the battery is running low

Turn ON/OFF SL80032 /SL80033 Bluetooth speaker

1. A long press on this button for 3 seconds will switch the speaker ON /OFF
2. A short press on this button will Play/ Pause the music

Pairing the SL80032/SL80033 with Bluetooth device (phone or music device)

1. Turn the speaker ON by pushing the power button for about 3 seconds long.
2. Please keep the speaker and mobile within 1 meter.
3. Turn on the Bluetooth function of Bluetooth device (phone or music device) and search the Bluetooth device.
4. Select the pairing name "Bluetooth Ornament" in the Bluetooth device list.
5. If required, enter the passkey '0000' to confirm the pairing process.
6. After successful connecting, you will hear "DoDuDo" sound and the ornament will light up.

Note:

1. If the pairing is not successful, turn off the speaker and re-pair again
2. After successful pairing, the devices will remember and connect with each other automatically during next time, unless the pairing information is being deleted.
3. If you want to pair with a new device, please turn OFF your last Bluetooth device(phone or music device) and then pair with new device according to steps 1-6 above.

Specifications (subject to be changed with pre-notice)

Product Name: Bluetooth Ornament

Model No.: SL80032 /SL80033


Bluetooth specification: Bluetooth 4.1

Wireless transmission: 10 meters (max.)

Battery: 3.7V / 400mAh

Input: DC 5V

Product size: 10 x 10 x 12 cm

 **Bluetooth**[®] is a trademark on a registered trademark of Bluetooth SIG Inc.



This device complies with Part 15 of the FCC Rules. Operation is subject to the following two conditions: (1) this device may not cause harmful interference, and (2) this device must accept any interference received, including interference that may cause undesired operation.

Warning: Changes or modifications to this unit not expressly approved by the party responsible for compliance could void the user's authority to operate the equipment.

NOTE: This equipment has been tested and found to comply with the limits for a Class B digital device, pursuant to Part 15 of the FCC Rules. These limits are designed to provide reasonable protection against harmful interference in a residential installation. This equipment generates, uses and can radiate radio frequency energy and, if not installed and used in accordance with the instructions, may cause harmful interference to radio communications.

However, there is no guarantee that interference will not occur in a particular installation. If this equipment does cause harmful interference to radio or television reception, which can be determined by turning the equipment off and on, the user is encouraged to try to correct the interference by one or more of the following measures:

- Reorient or relocate the receiving antenna.
- Increase the separation between the equipment and receiver.
- Connect the equipment into an outlet on a circuit different from that to which the receiver is connected.
- Consult the dealer or an experienced radio/TV technician for help.