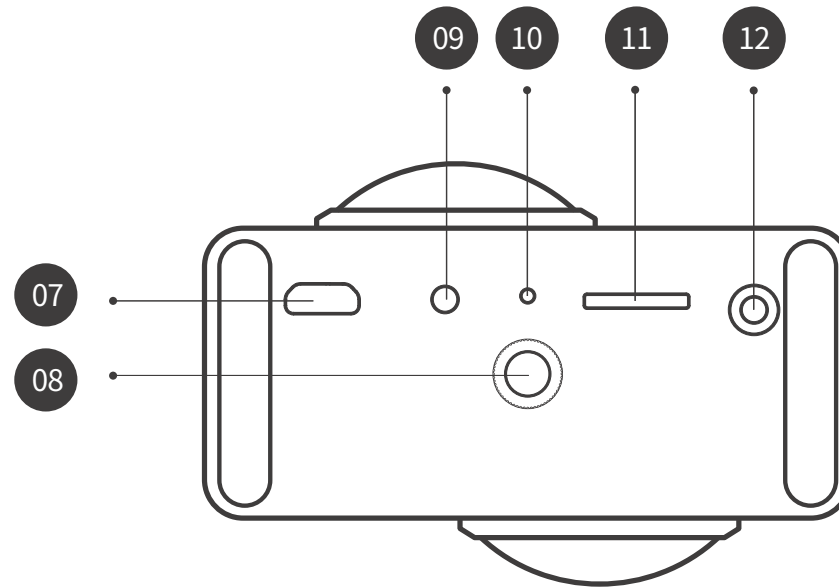
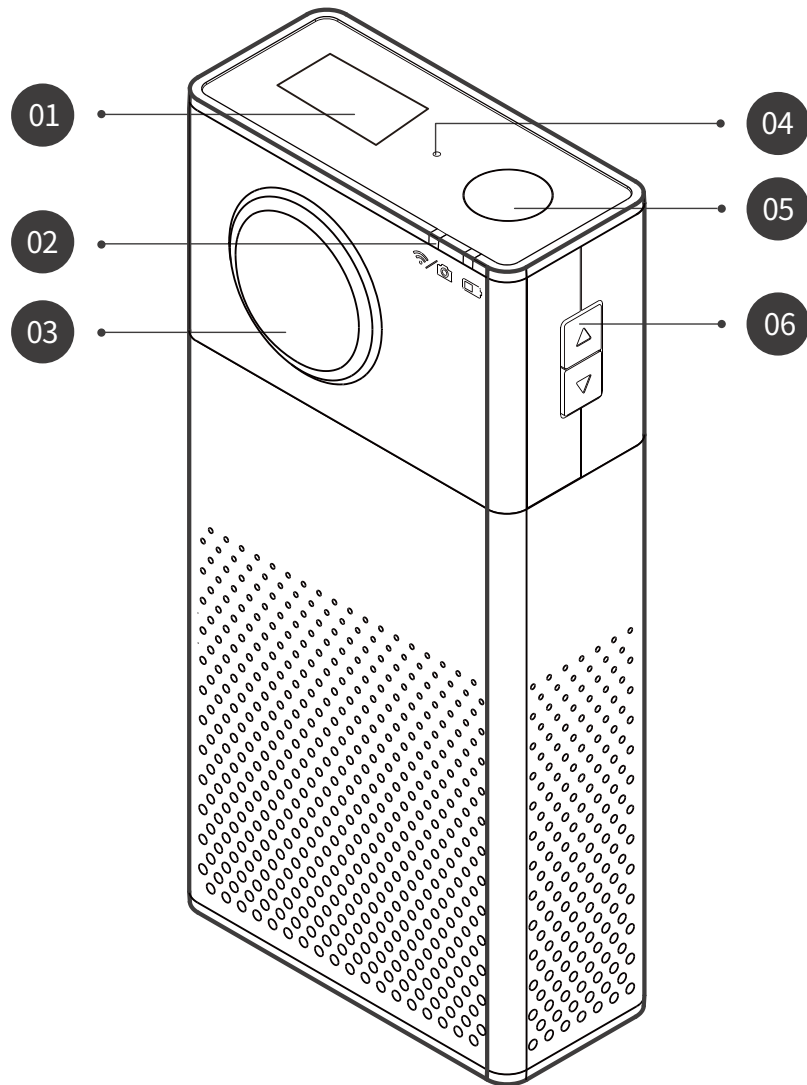


CATALOG

1 Camera Introduction	2
1.1 Component description	2
1.2 Specification parameters	4
1.3 Standard Configuration	5
2 Basic Features	7
2.1 SD card Installation	7
2.2 Boot	8
2.3 Indicator	8
2.4 Mode switching	9
2.5 Reset hole	14
2.6 Auto-Calibration	14
2.7 External equipment	16
3 Mobile APP Control	18
4 Firmware Upgrade	19
5 Attention Matters	20

1 Camera Introduction

1.1 Component description



Tips

Latest info can be found from the official Website [www.Insta360.com](http://www Insta360.com) for more details.

Component Name	Position and Functions
① Display screen	Displaying work status of the camera
② LED indicator light	Working and power status light respectively
③ Lenses	The two lenses for framing on the front and back respectively
④ Mic jack	Sound recoding hole and built-in microphone
⑤ Power key / confirm and selecting key / shutter	Power key /confirm and selecting key/shutter button
⑥ Up / down key	Function switch key
⑦ OTG interface(MicroUSB interface))	Connecting MicroUSB cable for data transfer
⑧ 1/4 screw mount	connecting standard attachments such as tripod and adapter.
⑨ 5V/3A power interface (DC)	Power adapter connector
⑩ Reset hole	Reset camera
⑪ TF slot	Insert TF memory card (Micro-SD card)
⑫ 3.5mm standard audio interface (Mic)	Used for external audio microphone

1.2 Specification parameters

Item	Value
Lens	F2.0 Lens
Focal length	1.00±5%mm
Visual Specifications	4K 3K 2.7K
Sensor	8-megapixel CMOS
Storage standard	MicroSDHC memory card (TF card)
Weight	445g
Size	74.5mm*158mm*48mm
LCD sereen	0.96" OLED
Battery	5000mAh
USB interface standard	Micro USB

Item	Value
Input current	3A
Input voltage	5V

1.3 Standard Configuration

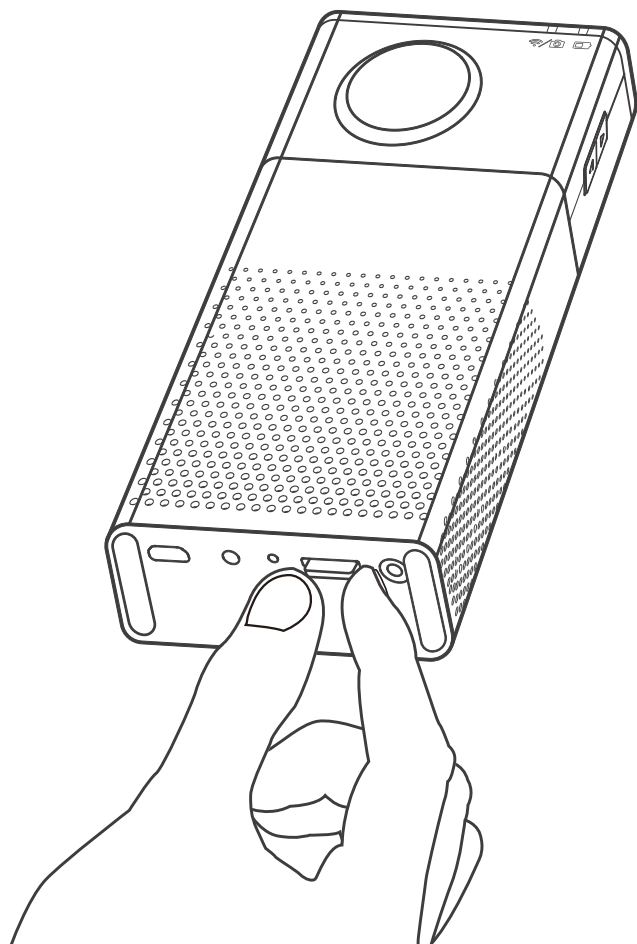
Name	Quantity
Insta360 4K beta camera	1
1/4 Screw mount	1
USB to DC charge cable	1
USB OTG exchange cable	1
Micro USB cable	1
TF(Micro USB) Card	1

Name	Quantity
Power adapter	1
Lens cleaner	1
Manual	1
Quick Start Guide	1
Lens calibration sticker	10
Auto-Calibration Guide	1

2 Basic Features

2.1 SD card Installation

The operation shall be in accordance with the picture left . Insert Micro-SD card into TF slot horizontally. You can't normally shoot with the camera if the Micro-SD is not inserted.



Tips

Recommended memory card requirements:

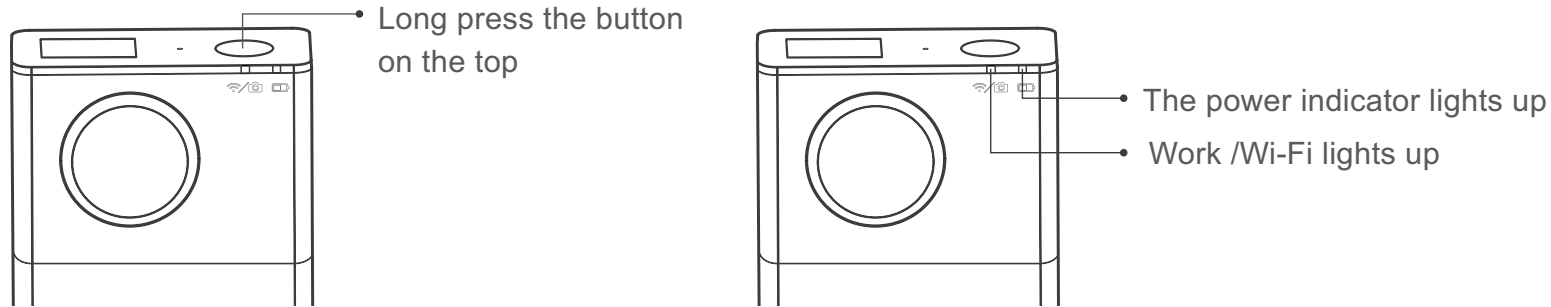
Micro-SD

Class10 UHS-I class or higher

FAT32 format (other formats will not be supported now) maximum supported extensible storage is 32GB(the camera will not be normal used if storage capacity is more than 32GB).

2.2 Boot

Long press the power key of the camera till the indicator lights on, and enter the default mode of recording video.



2.3 Indicator

Indicator is on the upper cover of the camera. The left one is working indicator. It indicates the Wi-Fi on-off state and the right one is the power indicator for indicating the power state.

Power indicator state	Battery state	Indicator state
Under state of charging	Under charged Fully charged	The red indicator is long light The green indicator is long light
Non charging state	Battery level is lower than 20% Battery level is higher than 20%	Red indicator flash The green indicator is long light

Wi-Fi/working light status	Indicating status
Wi-Fi hot spot enabling	Blue indicator long light
Taking a picture	The blue starts to flash after you pressed the shutter release button, then the camera got ready. It will take a photo automatically till the flash stop
Video record	The blue starts to flash after pressing the shutter button, and the shoot will be over after pressing the shutter button again, and the flash of the indicator will stop as well.
Shut down	Light is off

2.4 Mode switching

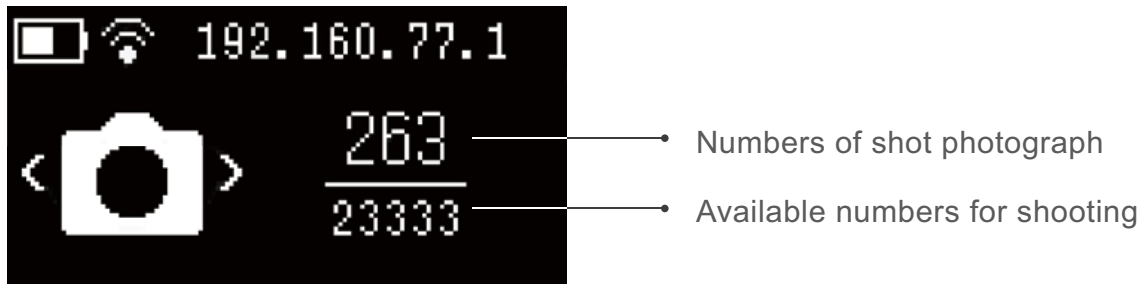
The camera has five function mode: video, photo, Wi-Fi hot spot , settings and shut down. Modes can be changed up and down by pressing the side up and down key. The power status and Wi-Fi connection status will be displayed on the screen in turn.

Camera IP will be displayed on the upper right corner of the screen when there is network communication.

In modes of video and photo, the camera will prompt when it reached a threshold and it will check TF card(Micro-SD) automatically. You shall check the TF card installation or delete some data of the TF card if there's a prompt of "No TF card"or " TF card is full " .

2.4.1 Photo

Switch the mode to photo mode by pressing the up and down key, it will display available numbers which can be used for shooting and photos taken. Entering shooting state when the shutter button(Power key) is being pressed. Working indicator will be flashing in blue. Because panoramic image synthesizing needs time for preparing and processing, the camera will take an instant panoramic photo when the end of flashing. You can take another photo when the picture storage is completed and entering the state of ready.



Numbers of shot photograph

Available numbers for shooting

Tips

The horizontal line above is the number of taken photograph, and the horizontal line below is the available number which can be used for shooting.

2.4.2 Video Mode

The default mode is video mode after you turn on the camera, you can start video recording by pressing the shutter button (Power key). The filmed time length and the file size range can be displayed on the camera screen when recording video. The working indicator is flashing when recording, and the recording can be stopped by pressing the shutter button again, and the working indicator flashing will stop simultaneously. You can conduct another shooting when the video storage is completed and entering the state of ready.



- Long length of filmed data
- File size of filed date /4G

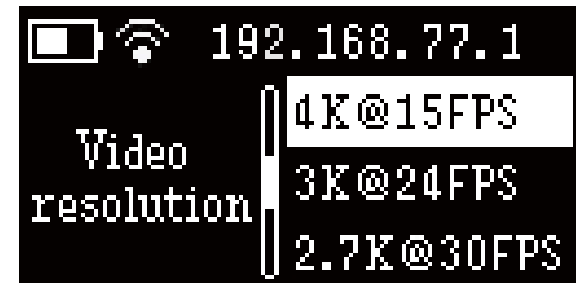
Tips
Insta360 adopts special file storage technology, in order to guarantee camera performance, once the video is up to 3.8GB, it will be automatically saved as one file and another file is started.

2.4.3 Settings mode

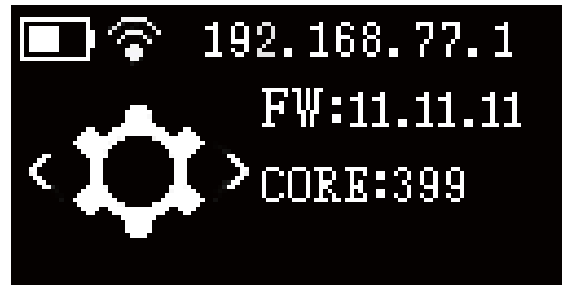
press up and down key until Settings shows on screen and then press power key to enter Settings mode. Choose different Resolution.



reset camera WIFI password



check firmware or core info



Auto-calibration to calibrate lens automatically



Change system language



2.4.4 Wi-Fi hot

Press up and down key until WIFI on/off shows on screen and then press the power key for controlling the Wi-Fi ON/OFF status.

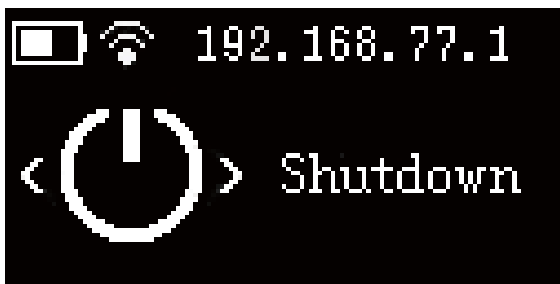


Tips

For more functional operation, please turn on WI-FI of camera, connect the camera with Insta360 APP installed on your smartphone by WIFI .

2.4.5 Shut down

Press the up and down key until power off show on camera screen, and then press power key to shut down camera. Furthermore, in any case, pressing the power key on the top of the camera up to three seconds will shut down camera.

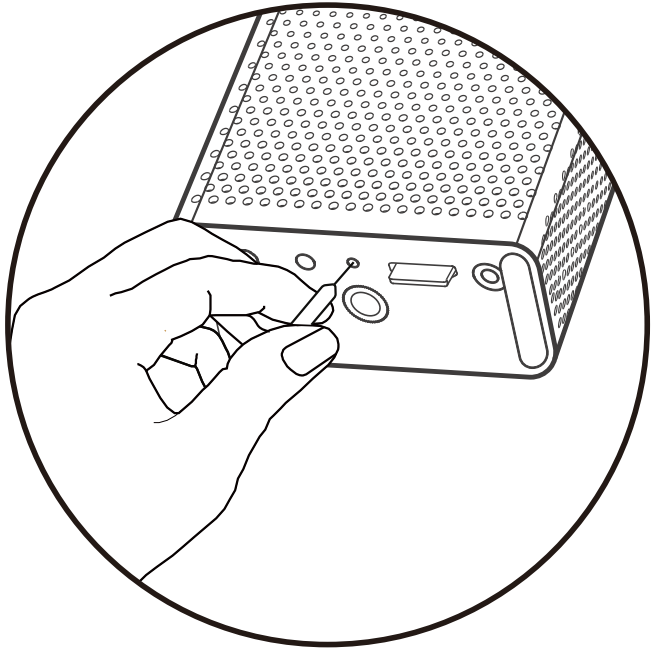


Tips

- 1 Auto-protection mode will be activated for prohibiting user's operation if the battery is lower than 5% and still not under charge.
- 2 The camera will shut down automatically if the battery is lower than 2%. Then, it should be charged in time.

2.5 Reset hole

The camera can be reset by stinging the reset hole with a needle. As shown in the following:



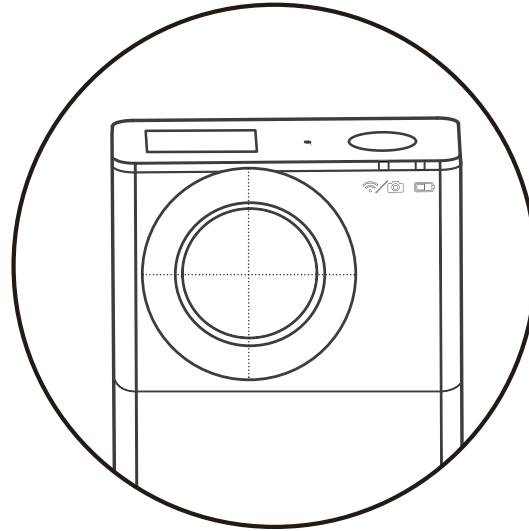
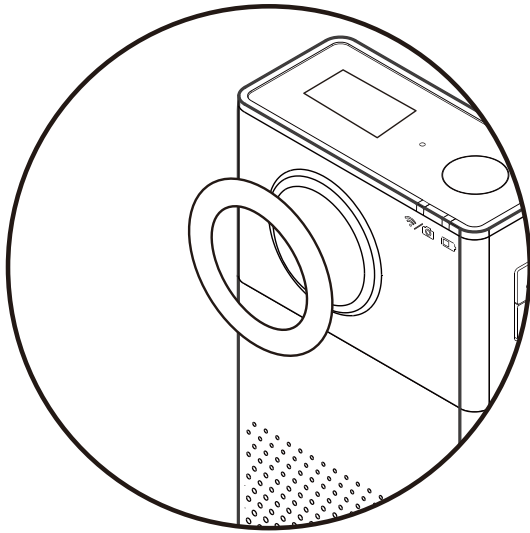
Tips

Please do not use this function if the condition is not serious.

2.6 Auto-Calibration

Please use the auto-calibration function when the photo/video stitching is mismatched as camera is dropped or hit seriously

① take out the white cycle stickers from package, and attach the stickers along the edge of two lenses as below



② put the camera in open and light area, turn on the camera, click and choose "Settings > Calibrate", camera will enter calibrating state automatically , on the screen of camera, it shows “calibrating” 。



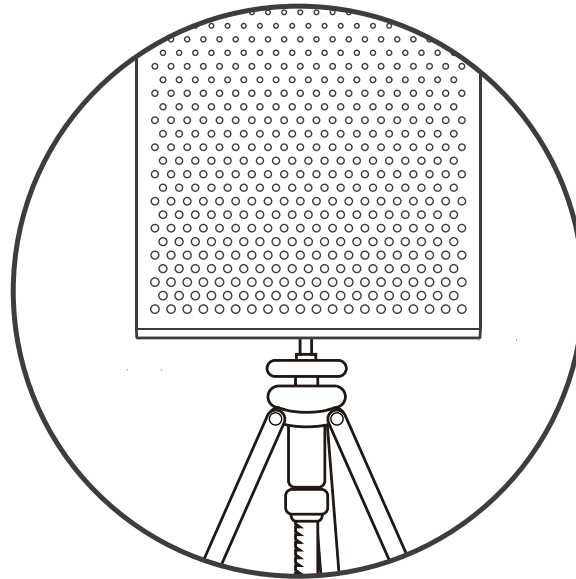
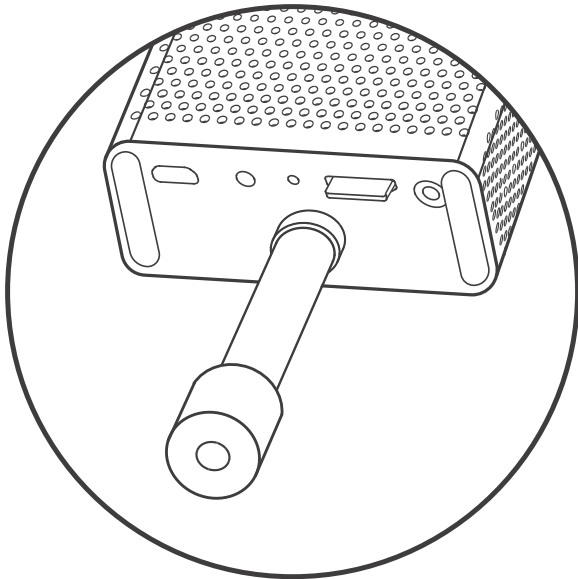
③ After about 10 seconds, the “calibrating” on screen disappears, and enter Settings page, it means the auto-calibration finishes.



2.7 External equipment

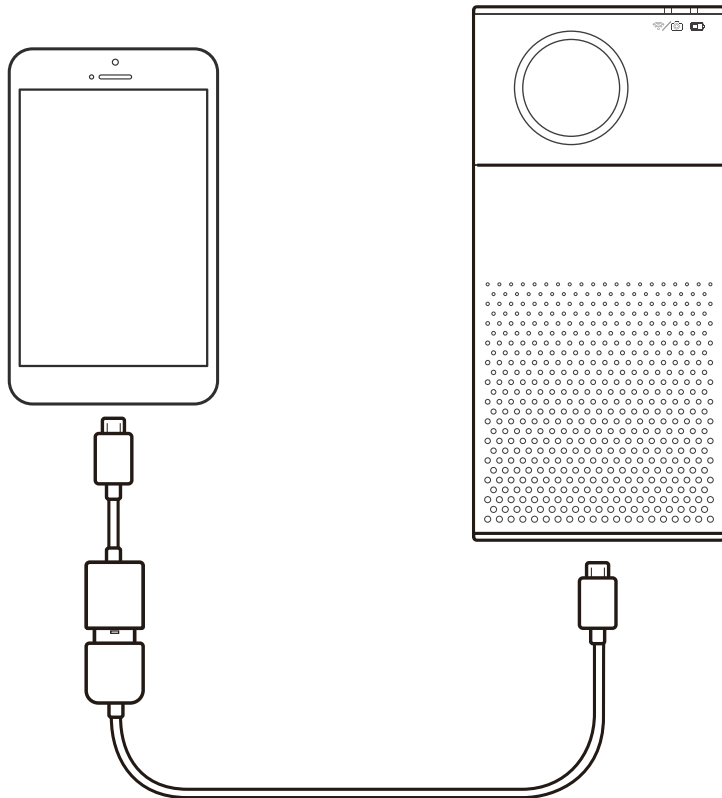
2.7.1 1/4 crew mount

Camera can be fixed on external tripod by 1/4 screw mount, and the operation is as follows:



2.7.2 USB connection function

- ① Connecting camera with smartphone by Micro USB cable and USB OTG exchange cable, the file in camera can be viewed/downloaded as camera is mobile storage now.
- ② Your smartphone should support OTG function(normal function on android phone).
- ③ USB OTG exchange cable should be connected with smartphone as below, Micro USB cable cable should be connected with camera, then USB connect function is available.



2.7.3 Charge with power bank

Use USB to DC charge cable to connect power bank with camera to charge Camera. The power bank(output is at least 5V/3A) is recommended.

3 Mobile APP Control

Scan the QR code below, download and install Insta360 APP on your Smartphone to control camera

Smartphone system requires Android 4.1 or later/ IOS 8.0 or later



Tips

The Default password of the camera WIFI is Insta360. Please Capitalizes the first letter while connecting.

4 Firmware Upgrade

firmware upgrade method

- ① Visit insta360 office website/download centre on desktop (www.insta360.com/product/inta360-4k/download)
- ② Click [firmware upgrade] to download the latest firmware
- ③ Extract the firmware and move firmware package “.bin” to TF card root directory
- ④ Plug TF card(Micro-SD) into camera, reboot camera and “firmware upgrading” shows on screen, once it disappears, firmware is upgraded.

5 Attention Matters

Please read all these simple rules carefully. It could result in a hazardous condition or violate the law if do not abide these rules. This instruction provides safety related information and please note safety prompt and camera maintenance. The company will not be responsible to the device damage due to your misuse, arbitrary disassembly or do not operate the camera in accordance with the instruction.

5.0.1 Safely use of battery charger

It is suggested charging with official standard power adapter. Under normal circumstances, the battery can be fully charged in three hours with official standard adapter if the battery is dead. Note that you can't connect the battery with adapter for a long time because overcharge will shorten the battery life

5.0.2 Battery maintenance and care

For extending service life of the battery, its charge level shall be kept in full. The battery shall be fully charged before shut down. it should be put into dry and away from sunlight. it should be noticed that the battery will gradually discharge automatically if long time unused, that is not conducive to the battery maintenance. It is recommended that the idle time shall not more than one month or to storage the battery after full charge and recharge in full every month for extending the service life of the battery.

5.0.3 The camera shall be put in the place where children and pets can't reach.

The internal precision structure of the camera could be damaged or wore after falling down by children or pets, meanwhile, it should be avoided children or pets hurt by the camera falling.

5.0.4 The lens shall be protected

Please do not touch the lens with hands during operation, and the lens shall be cleaned with official standard lens cleaner. It should be noticed when operating that you can not leave the camera in a rough surface (such as floor) for avoiding wearing lens.

5.0.5 Note that you can't fall over or knock the camera

Please note that the camera should be protected during use. The camera can't be falling down or knocking for avoiding the damage of precision internal stature.

5.0.6 It should be preventing from water, moisture and sunlight exposure

The camera does not waterproof function. It should be preventing from water and moisture, and all accessories of the camera should keep in dry. Please note that you should not exposure your camera under the sunlight for a long time.

5.0.7 Interference

All wireless devices may be subject to interference. Thus, its performance could be affected.

5.0.8 The camera should be turned off in the vicinity of medical equipment

Hospitals or health care organizations will apply wireless sensible equipment. so the camera shall be shut down in the vicinity of medical equipment. Please consult with located hospital to confirm required regulations and security specification effectively.

5.0.9 The camera should be shut down on the plane

Note that your wireless device or camera will interfere the plane so that it shall be shown down on the plane for observing relevant regulations

5.0.10 The camera shall be shut down in the vicinity of gas station or other blasting sites

You and your camera shall be protected in the vicinity of blasting sites or fuel, and relevant regulations shall be observed as well.

FCC ID: 2AFSHINSTA4KB

FCC Radiation Exposure Statement:

This equipment complies with FCC radiation exposure limits set forth for an uncontrolled environment. This equipment should be installed and operated with minimum distance 20cm between the radiator & your body.

FCC Warning

This device complies with Part 15 of the FCC Rules. Operation is subject to the following two conditions:

(1) This device may not cause harmful interference, and (2) this device must accept any interference received, including interference that may cause undesired operation.

NOTE 1: This equipment has been tested and found to comply with the limits for a Class B digital device, pursuant to part 15 of the FCC Rules. These limits are designed to provide reasonable protection against harmful interference in a residential installation. This equipment generates, uses and can radiate radio frequency energy and, if not installed and used in accordance with the instructions, may cause harmful interference to radio communications. However, there is no guarantee that interference will not occur in a particular installation. If this equipment does cause harmful interference to radio or television reception, which can be determined by turning the equipment off and on, the user is encouraged to try to correct the interference by one or more of the following measures:

- Reorient or relocate the receiving antenna.

- Increase the separation between the equipment and receiver.

- Connect the equipment into an outlet on a circuit different from that to which the receiver is connected. -Consult the

dealer or an experienced radio/TV technician for help.

NOTE 2: Any changes or modifications to this unit not expressly approved by the party responsible for compliance could void the user's authority to operate the equipment.