

Insta360™ TITAN

SET UP GUIDE

English · 简体中文 · 繁體中文 · 日本語 · 한국어 · Deutsch · Français · Italiano · Español · Русский · Português · العربية لغة

FCC Statement

This equipment has been tested and found to comply with the limits for a Class B digital device, pursuant to Part 15 of the FCC Rules. These limits are designed to provide reasonable protection against harmful interference in a residential installation. This equipment generates uses and can radiate radio frequency energy and, if not installed and used in accordance with the instructions, may cause harmful interference to radio communications. However, there is no guarantee that interference will not occur in a particular installation. If this equipment does cause harmful interference to radio or television reception, which can be determined by turning the equipment off and on, the user is encouraged to try to correct the interference by one or more of the following measures:

- Reorient or relocate the receiving antenna.
- Increase the separation between the equipment and receiver.
- Connect the equipment into an outlet on a circuit different from that to which the receiver is connected.
- Consult the dealer or an experienced radio/TV technician for help.

This device complies with part 15 of the FCC Rules. Operation is subject to the following two conditions:

(1) This device may not cause harmful interference, and (2) this device must accept any interference received, including interference that may cause undesired operation.

Changes or modifications not expressly approved by the party responsible for compliance could void the user's authority to operate the equipment.

RF Exposure

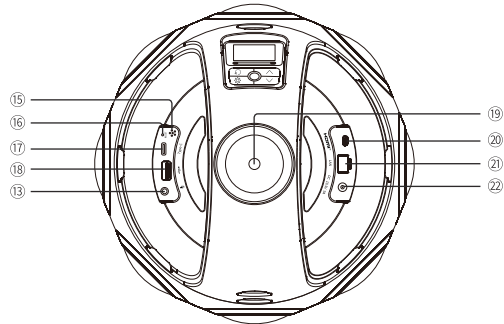
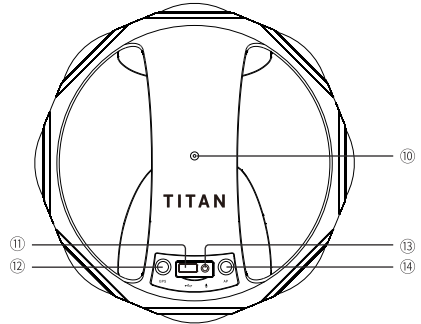
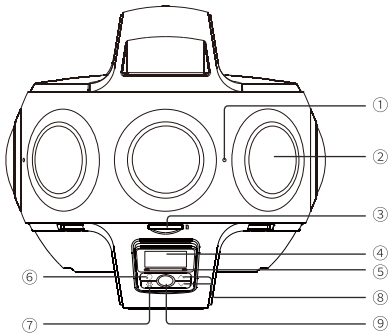
To maintain compliance with FCC's RF Exposure guidelines, this equipment should be installed and operated with minimum distance of 20cm the radiator your body. This device and its antenna(s) must not be co-located or operation in conjunction with any other antenna or transmitter.

The device is going to be operated in 5150 to 5250 MHz frequency range. It is restricted only to indoor use.



Scan to learn more about the product
https://insta360.com/r/manual_titan

1 Insta360 Titan Overview



- ① Microphone / Operation status indicator × 4
- ② Lens × 8
- ③ SD card slot × 9
- ④ OLED display
- ⑤ Power indicator × 2
- ⑥ Return button
- ⑦ Setting button
- ⑧ Switch button
- ⑨ Power / Enter button
- ⑩ Standard 1/4" mounting point *
- ⑪ USB 2.0 Type-A port

- ⑫ GPS antenna port
- ⑬ 3.5mm microphone input port × 2
- ⑭ AP (WiFi) antenna port
- ⑮ Speaker
- ⑯ Reset pinhole
- ⑰ USB Type-C port
- ⑱ USB 3.0 Type-A port
- ⑲ Standard 3/8" mounting point
- ⑳ HDMI 2.0 Type-D port
- ㉑ LAN port
- ㉒ DC power input port

* For the first use, you need to remove the rubber cap to make the port visible.



2 Before You Start

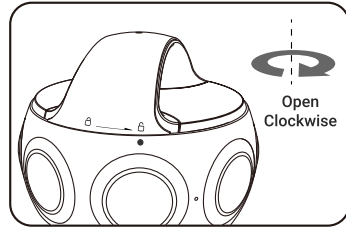
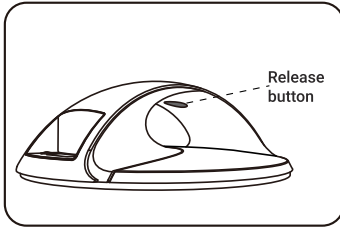
① **Activate the battery and install antennas:** The first time you use the camera, please connect the included power adapter (input: 19.5V 9A) to the camera to power it on, so that its battery is activated.



- While installing the antennas, please connect the corresponding antennas to corresponding ports.
- When charging the battery inserted into this camera using the included power adapter, the battery is not charged at battery temperatures below 0°C (32 °F) or above 45°C (113 °F), which is not a malfunction. As the battery temperature decreases, it can be charged again.

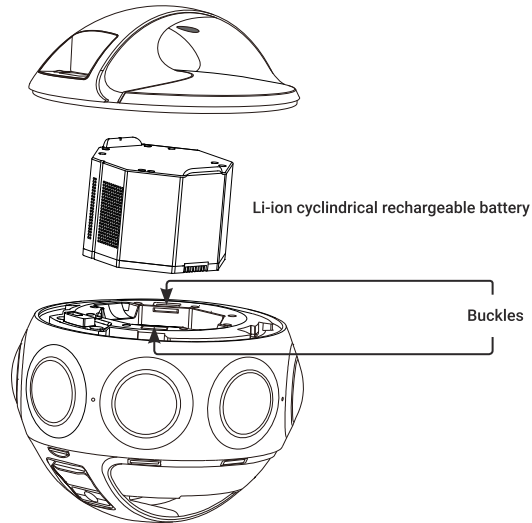
Remove the battery

1) Press and hold the release button on the under side of the handle, then twist the upper lid clockwise to open it. When the  mark on the upper lid is aligned with the  mark on the camera, you can open it (if the antennas are installed onto the camera, please remove them first).



2) Slide open the buckles to take out the battery.

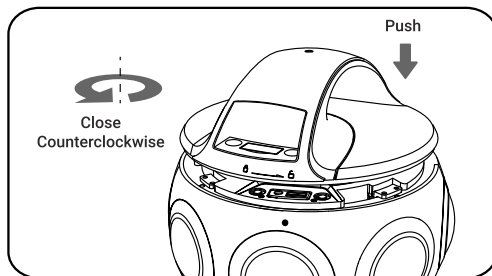
Note: If you have difficulties sliding the buckles, gently push down on the battery placed in the battery slot, and try again.



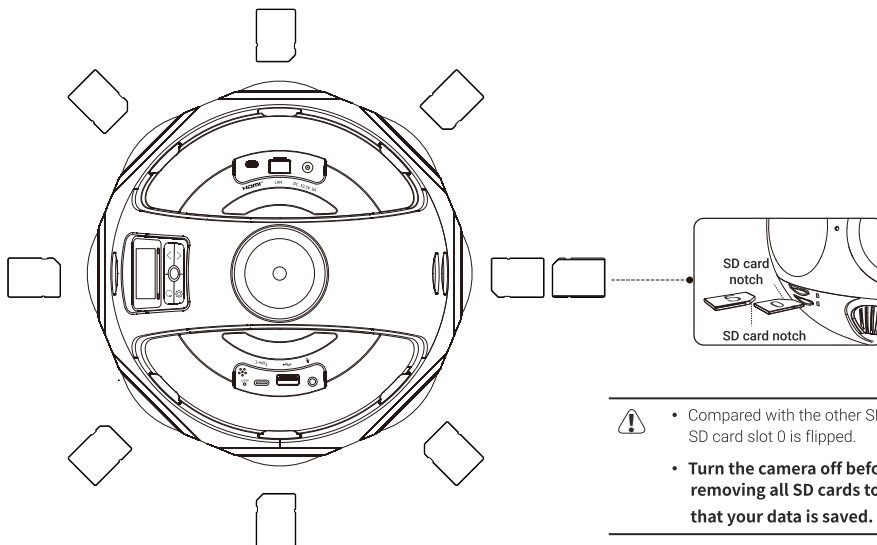
Install the battery

1) Place the battery into the battery slot as shown above, and slide the buckles in place to secure the battery.

2) Gently push down on the handle, then twist the upper lid counterclockwise until locked in place. When the  mark on the upper lid is aligned with the  mark on the camera, the upper lid is properly secured.



② Insert SD cards: Before using the camera, please insert 9 SD cards. Please use exFAT format SD cards of speed classes Extreme Pro and V30.



- Compared with the other SD card slots, SD card slot 0 is flipped.
- **Turn the camera off before removing all SD cards to ensure that your data is saved.**

3 Specifications

EN

Items	Parameters
Lenses	200° F3.2 fish-eye lenses
Max. resolution of a still image from a single lens	5280 x 3956 (In-camera stitched 360 at maximum of 11K, 3D or mono)
Max. resolution of video from single lens in 360° panoramic mode	5280 x 2972 (Stitched 360 at maximum 11K mono)
Max. resolution of video from a single lens in 360° 3D mode	4800 x 3072 (Stitched 360 at maximum 10K 3D)
Compatible storage	SD cards of standard V30 speed with exFat format
Battery capacity	135.36 Wh detachable lithium battery
Working Temperature	0°C ~ 40°C
Run time (full charge)	1.2 h
Input	19.5 V / 9 A
Weight (with battery)	Roughly 5.5 kg
Dimensions	φ228 mm

4 Download the Official App

Scan the QR code below or visit https://www.insta360.com/r/download_insta360titan to download Insta360 Titan's official control app.

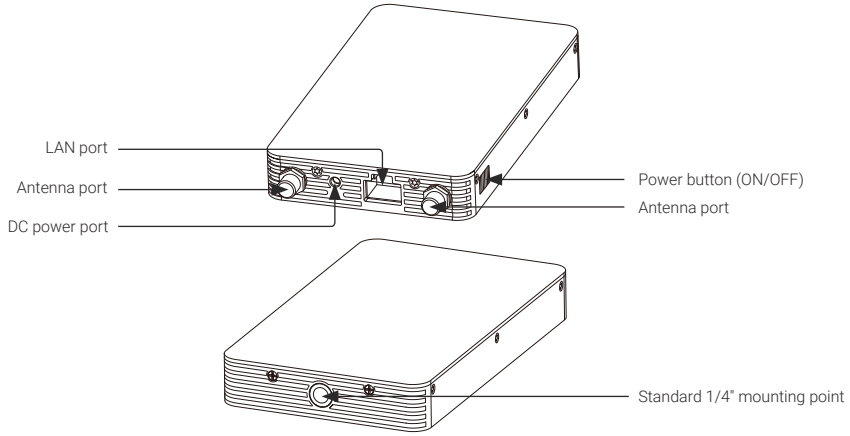


5 Connect and Control your Titan

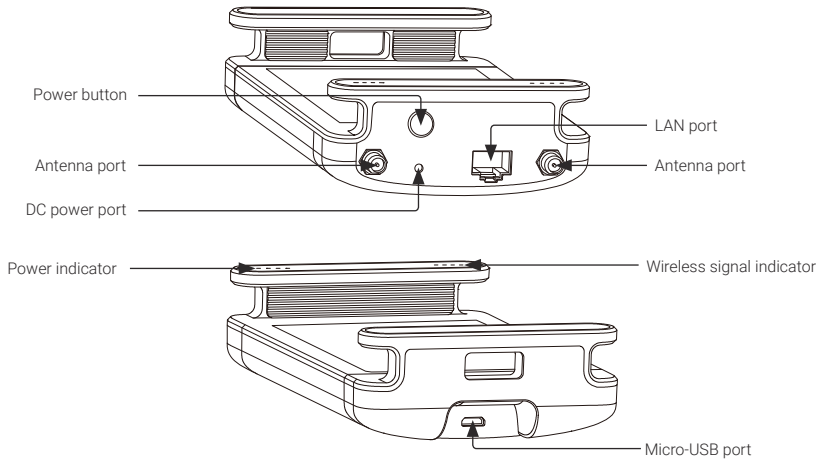
You can connect to your Titan via wire, WiFi or Insta360 Farsight. You can connect using an iPad, phone, or computer to control the camera. If you wish to connect via wire, you must use a network cable or local area network (LAN). It is strongly recommended that the camera be remotely controlled through Farsight, which has the most stable signal and the farthest communication distance.

5.1 Farsight Connection

■ Farsight Overview



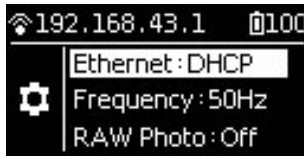
(Farsight Transmitter)



(Farsight Receiver)

Farsight Connection

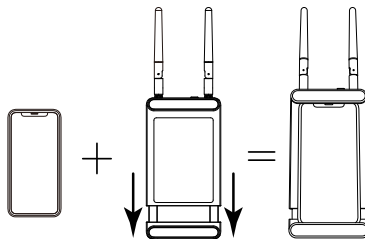
- 1 Install antennas onto the Farsight's transmitter and receiver respectively.
- 2 Press the power button of the camera to turn it on, then go to the camera settings, set Ethernet to **DHCP**. Please also turn off AP (Wi-Fi) on the camera.



- 3 Press and hold the power button of the transmitter for 3 seconds to power it on. And then connect the camera and the transmitter with a network cable. When the camera and the transmitter starts up successfully, the IP address on the OLED screen of the camera will be displayed as 192.168.100.XXX (2~253).
- 4 Press and hold the power button on the receiver for about 3 seconds to turn it on, and then connect your phone / tablet / computer to the receiver with a suitable cable.

* Note:

- When the receiver is connected to a phone or tablet, pull open the bottom lever to adjust the length of the receiver so that the phone or tablet can be placed properly onto the receiver.
- When the receiver is connected to a computer via a LAN port, you can use a network cable to connect the receiver and the computer; when the receiver is connected to a computer with a USB port, you can use a Micro-USB cable (or use a USB Ethernet network adapter and a network cable) to connect the receiver and the computer; when the receiver is connected to a phone / tablet, use the included compatible cable to connect the receiver and the phone / tablet .



- 5 Check whether or not the IP address on the receiver is 192.168.100.X (2~253), enter the IP address displayed on the camera and click **Connect**.

— When connected to phone / tablet:

1) When the receiver's WiFi signal indicator is on (If the WiFi signal indicator is flashing, it indicates an unstable or nonexistent connection), go to your device's Settings, select **Ethernet > USB 10/100 LAN**, set **Configure IP** to **Automatic** on the Ethernet Setting page, and make sure that the IP address is 192.168.100.X (2~253).

2) Open the app you've downloaded on your phone or tablet, select **Connection Method A**, set the IP address to the one displayed on the camera, and click **Connect**.

— When connected to a Mac:

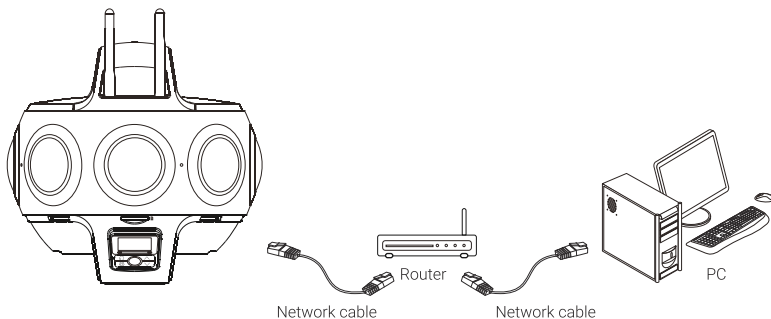
1) When the receiver's WiFi signal indicator is on (If the WiFi signal indicator is flashing, it indicates an unstable or nonexistent connection), go to **Open Network Preferences** on your Macbook, select USB 10/100 LAN, set "**Configure IPv4**" to "**Using DHCP**" and verify that the IP address is 192.168.100.X (2~253) .

2) Open the app you've downloaded on the MacBook, enter the IP address displayed on the camera and click **Connect**.

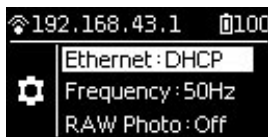
Tip:

If the IP address displayed on the camera's OLED screen or the IP address on the device connected to the receiver is not 192.168.100.X (2~253), please unplug all cables, reconnect them and wait until the IP address displays as 192.168.100.X (2~253) .

5.2 Wired Connection —DHCP mode



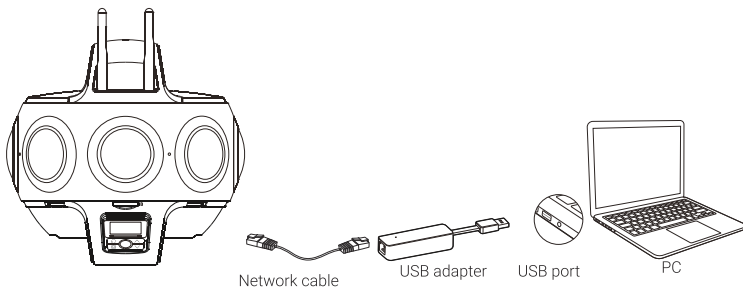
- 1 Enter the settings menu of Titan, set Ethernet to **DHCP** mode.



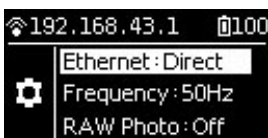
- 2 Connect Titan to a router via network cable, the router's allocation mode should be set to DHCP, and the computer connects should connect to the router's LAN port.
- 3 Ensure camera and computer are in the same LAN, open the controlling client software on the computer, and input IP address displayed on top of the camera screen.

5.3 Wired Connection — Direct connection mode

EN

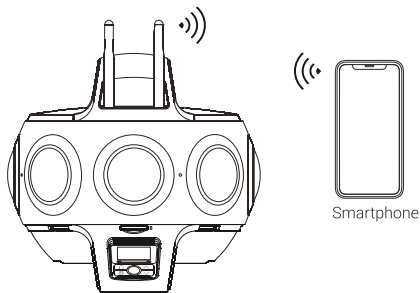


- 1 Enter the camera settings menu of Titan, set Ethernet to **Direct** mode.



- 2 Connect Titan to computer with a network cable. If you want to connect to a computer without a LAN port, then you need to use a USB Ethernet network adapter. In this mode, the IP address of Titan is fixed as 192.168.1.188, which requires you to set up a static IP for the PC network segment of 192.168.1. It is recommended to set as it as 192.168.1.100, with a subnet mask of 255.255.255.0.
- 3 After completing the above configuration, enter 192.168.1.188 on the client operation software, and then connect.

5.4 Wireless Connection — connect client devices to camera's AP hotspot



- 1 Click on WiFi logo on the homepage of the camera display, and the camera will turn on its own AP hotspot.
- 2 Open your client device (phone, tablet, laptop) to search nearby WiFi hotspots, and find the hotspot of "Insta360-Titan-XXXXXX". The password is "88888888" (8 x 8's) to connect.
- 3 After successfully connection, input the IP address: 192.168.43.1 on the client control software and then click to connect (via the phone app, you can choose Connection Method B for a one-key connection).

* Notice of further updates of this manual will not be issued.



IT-QSG-CM.2

Shenzhen Arashi Vision Company Limited

TEL (+86) 400-833-4360
EMAIL service@insta360.com
WEB www.insta360.com
ADD 6/F, Building A, Logan Century Center, 23 Haixiu Road,
Bao'an District, Shenzhen, China

