

Dylan Wireless Bluetooth Drum Stereo Speaker

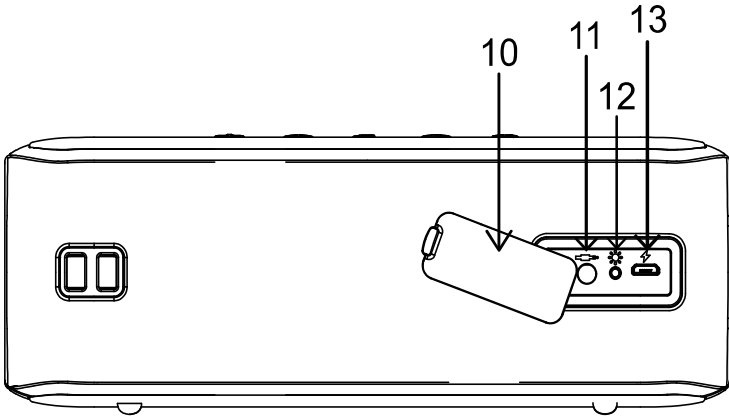
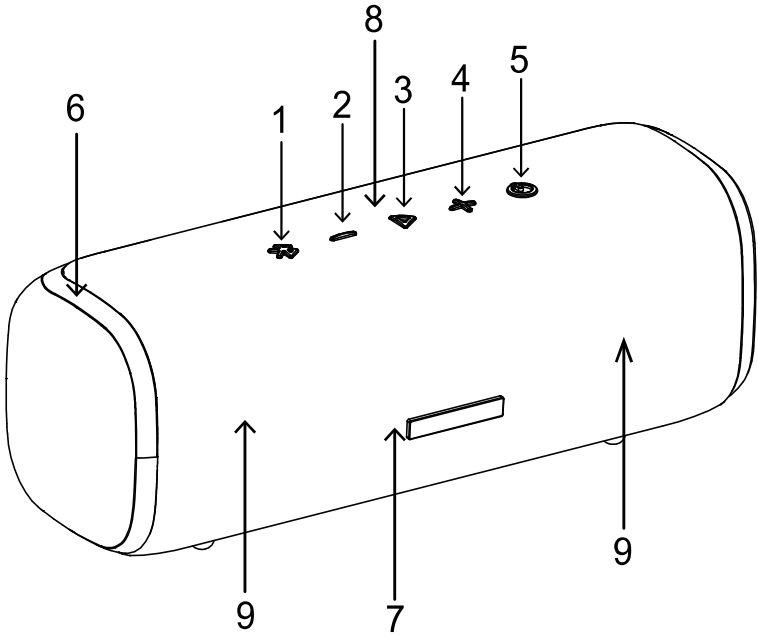
FCC ID: 2AFSGF9

Model Name: F9



User Manual

1.Components and Controllers

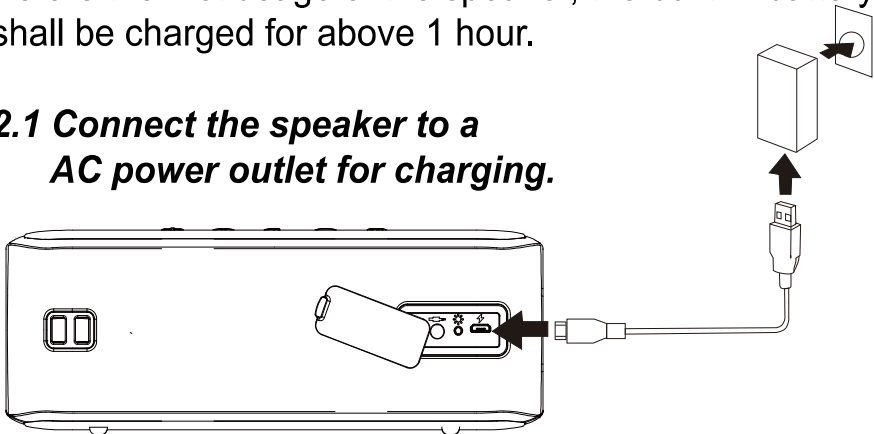


1. Bluetooth
2. Volume - / Back
3. Play / Pause
4. Volume + / Next
5. Power
6. Flashing Strobes
7. Microphone
8. Power Indicator
9. Loudspeaker Lights and Loudspeaker
10. Protective Shield
11. Line in Input
12. Light Key
13. USB DC Input 5V

2. How to charge the speaker

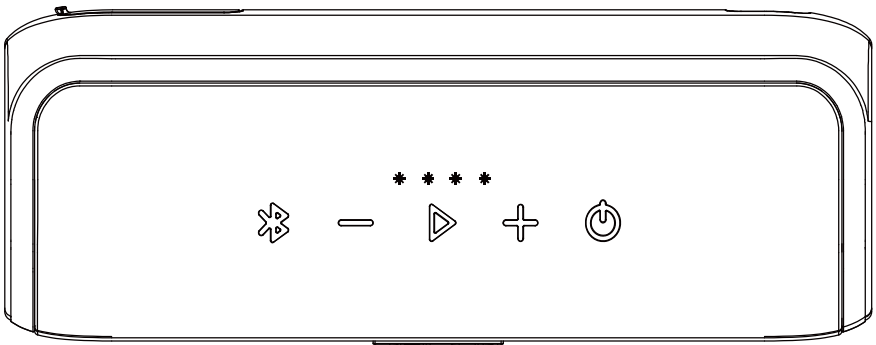
The speaker works by connecting to an AC power outlet with USB AC power adapter (commercial standard, package not included) or with its built-in battery. Before the first usage of the speaker, the built-in battery shall be charged for above 1 hour.

2.1 *Connect the speaker to a AC power outlet for charging.*



Plug the micro USB cable (as supplied accessory) in the DC 5V jack on the back of the speaker (DC IN), and then connect the other end of the cable to a USB AC power adapter (commercial standard, package not included). After that, plug the USB AC adapter into the AC outlet. The speaker supports USB AC power adapters with the output current of 500 mA or above (commercial standard, package not included). However, it is recommended to use the USB AC power adapters with the output current of 1.5 A or above and the attached micro USB cable or any micro USB cables which are up to the USB standard. If using other devices, the charging effect will not be guaranteed.

2.2 When charging, the power indicator is in white and flashes, which means the speaker is in charging.



2.3 Check if finish charging.

When connecting the speaker to an AC power outlet, if the built-in battery is 100% charged, the power indicator lights up with 4 white points.

2.4 Check the capacity of the built-in rechargeable battery.

Long press the power key: long press the power key for 2 seconds to start the speaker, it prompts in a tune of “tok tok” and reports the remained capacity of the battery.

Dylan F9 will output the following voice prompt according to the remaining capacity of the built-in battery.

70% or above: “100% charged”

50% or above: “About 70% charged”

20% or above: “About 50% charged”

10% or above: “About 20% charged”

Less than 10%: “Please charge in time”

In the power-on state, short press the power key:

There are 4 white LEDs to indicate the remained capacity of the battery

4 lights on: about 70 % ~ 100 % remained

3 lights on: about 50 % ~ 70 % remained

2 lights on: about 30 % ~ 50 % remained

1 light on: about 10 % ~ 30 % remained

1 light flashes: less than 10 % remained, “please charge in time”

2.5 When the capacity of the built-in battery is less

When the speaker prompts “please charge in time” and the power indicator flashes slowly, it means that the capacity of the built-in battery is lower, you need to charge it.

Reminder:

- You can also charge the speaker by connecting to a powered-on computer with a micro USB cable. However, not all types of computers are guaranteed to operate normally. The warranty also does not cover the operation of assembling computer.
- If the speaker is connected to an AC power outlet with a USB AC power adapter (commercial standard, package not included), or connected to a powered-on computer, the speaker will be in charging. In this case, depending on the usage, the charging time of the built-in battery may be longer than the time when the speaker is turned off. Therefore, it is recommended to turn off the speakers when charging.

Attention

- When the speaker is used at high volume, even if connecting to an AC power outlet, the capacity of the built-in battery power may be consumed. If you want to use the speaker in charging, please lower the volume. Or you can turn off the speaker first and 100 % charge the built-in battery.
- When the speaker is used at high volume for a long time, even if connecting to an AC power outlet, the capacity of the built-in battery power may be consumed. Therefore, the volume will become lower. This is not a fault.
- When the capacity of the built-in battery is lower, the max power output will decrease.
- In extreme environments, such as too cold or too hot temperature, please stop charging for safety reasons.
- If the charging time is too long, the speaker will stop

charging. To solve these problems, please disconnect and reconnect the micro USB cable again within the operating temperature range of 5 °C to 35 °C.

- Do not charge your speaker where it may be splashed with water.
- If you will not use the speaker for a long time, please 100% charge the built-in battery every 6 months to maintain the performance of the battery.

3.Start and Use

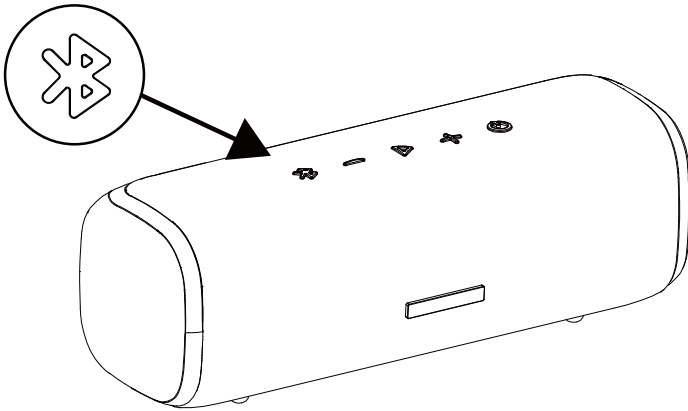
3.1 Power on

Long press the power key for 2 seconds to start the speaker, it prompts with a tune of “tok tok” and reports the remained capacity of the battery, and the lights will flash alternately in red and blue. Reminder: In the first usage after purchase, when the speaker is powered on, the lighting function is started and the front of the speaker is lit on.

3.2 Bluetooth pairing / cancelling:

- Bluetooth pairing: long press the Bluetooth key, and the flashing strobes of Bluetooth speaker will flash alternately in red and blue and a prompt voice comes, which means it is in the Bluetooth pairing. At this time, you can search the pairing name of “Dylan F9” in your mobile phone or other Bluetooth devices. Please click connect pairing. After the connection or pairing is successful, the speaker also prompts in voice.

- Cancel pairing: when pairing has been successful, long press the Bluetooth key until hearing a prompt voice, which means the current pairing has been cancelled.



3.3 Connect two Dylan F9 speakers (TWS mode)

- Step 1: long press the power key to start the system and turn on the two Dylan F9 speakers, in the state of strobes of both speakers flashing in red and blue alternately for 500 milliseconds.
- Step 2: long press a Bluetooth key for any speaker to enter into the mode of TWS search. At this time, the strobes flash in red and blue alternately for 200 milliseconds. When successfully matching TWS, the main and auxiliary flashing strobes will enter into the breathing mode with a prompt.
- Step 3: turn on the mobile phone to search the connected speakers and select the pairing name of Dylan F9; if the connection is successful, there is a prompt voice for indication. While playing songs at this time, the

main and auxiliary flashing strobes will flash randomly in colors according to the music rhythm. At the same time, the loudspeaker lights will also flash (the main and auxiliary flashing strobes will be in breathing mode when the songs are paused, and come back to the multi-color flashing mode when the songs are played).

When playing songs in TWS mode, long presses the Bluetooth key of the main speaker to disconnect the phone, and short press the main speaker to connect the phone back; long press the Bluetooth key of the auxiliary speaker to disconnect it and the main speaker still plays normally.

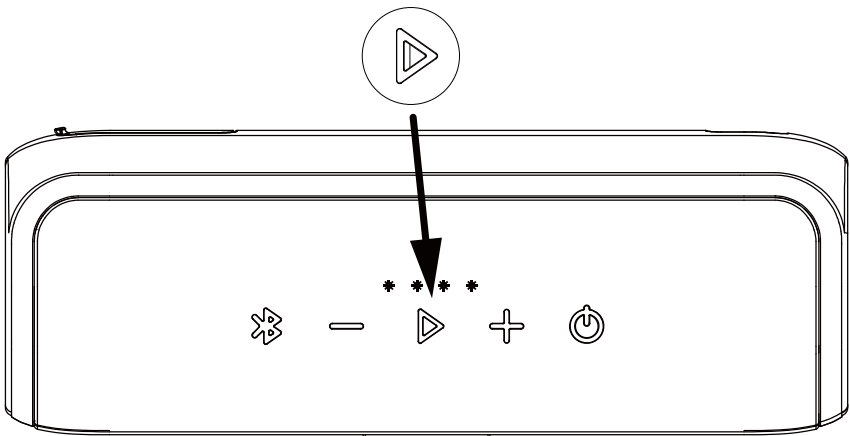
3.4 How to use Dylan F9 speaker

- ***'+' key:***

Short Press: Turn up

Long Press: Play the next song

- ***Play / Pause / Answer Calls:***



Short Press: Pause, Play, answer calls, hang up

Long Press: Under call mode (Hang up a third-person call, switch a third-person call, switch between mobile phone and speaker).

- **Call mode:**

When the mobile phone calls, the speaker will synchronize the ringing of the mobile phone, short press the play / pause key to answer the call.

When the line of call # 1 is already busy, call # 2 comes, you can short press the pause / play key to answer call # 2, and call # 1 will be in hold mode. If you don't want to answer call # 2, just short press it for rejection.

When the line of call # 1 is already busy, call # 2 comes, short press call # 2 for answering, and then short press again to hang up call # 2 for call # 1, and short press call # 1 to hang up.

When the line of call # 1 is already busy, call # 2 comes, short press the call # 2 for answering, and then long press pause / play key to switch between call # 1 and call # 2.

When only the line of call # 1 is busy, long press the pause key to switch between the speaker and the mobile phone

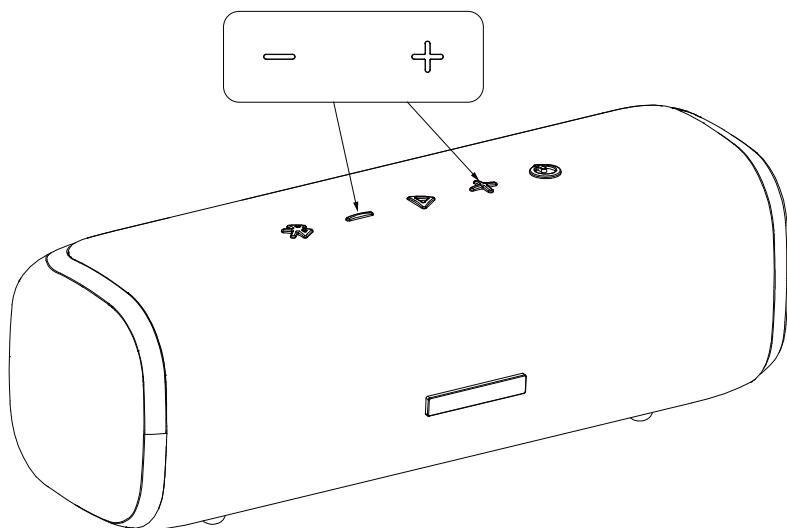
- **' - ' Key:**

Long Press: Play the previous song

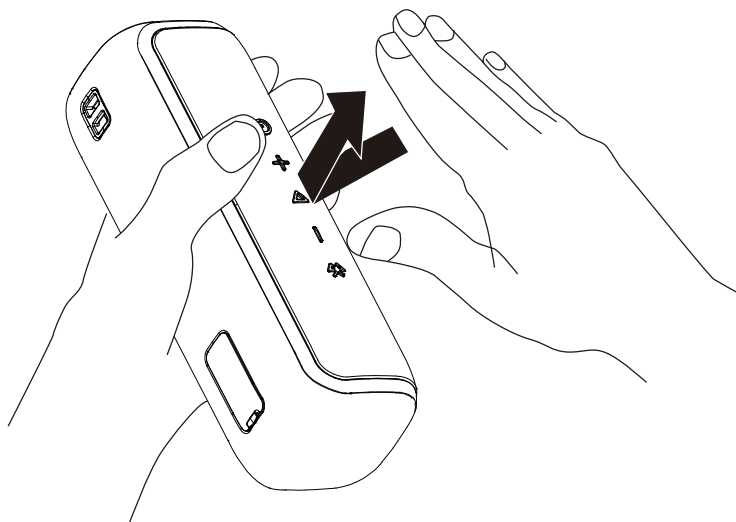
Short Press: Turn down

● **Turn On Party Bass function**

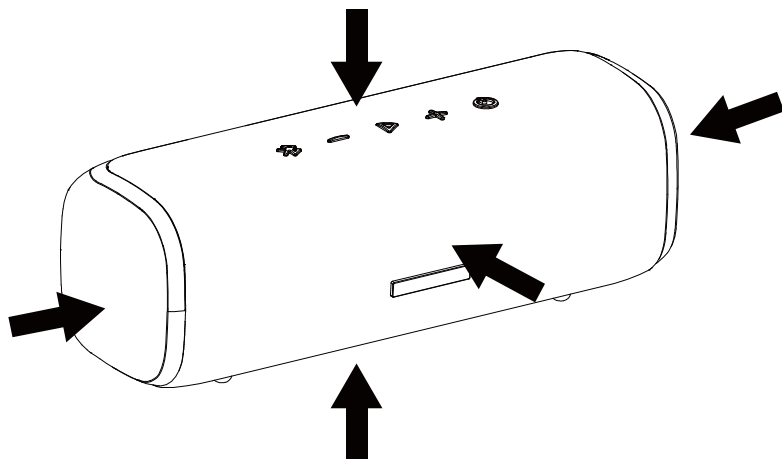
When starting this speaker, the party bass function is activated by default. Long press the “+” and “-” simultaneously to turn on or off the party bass function.



Lightly tap the top, front, sides, or bottom of the speaker, the speaker can output different sound effects and lights up.



When lightly tapping the sound output surface of the top, front, sides, or bottom of the speaker, the type and



volume of sound effects can vary depending on where you tap and your tapping intensity.

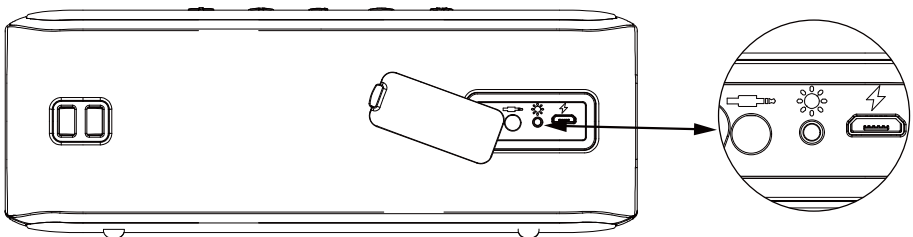
Reminder: It's possible that the speaker may not respond and the sound effect may not be output depending the method you tap.

Attention:

- Please keep the speaker power off in carrying.
- When the speaker is powered on, the party bass function may be switched on accidentally due to vibration or other reasons, causing sound output.
- If the speaker hits someone or something, it may cause an accident, personal injury or malfunction. Please pay attention to the following shall when using the party bass function.

- ◆ When using the speaker, keep the cable disconnected and the protective shield closed.
- ◆ When the speaker is in using, do not connect the adapter.
- ◆ When using this function, please hold the speaker tightly and do not shake it violently in case of throwing or falling from your hand.
- ◆ Before using this function, make sure there is enough space around the speaker.
- ◆ Do not knock the speaker with any tools.
- ◆ Do not use this function in driving or walking.
- ◆ When using this function, keep the speaker away from face and eyes at least 20 cm.
- ◆ Do not use this function for a long time. Keep regular rests.
- ◆ When using this function, if you feel tired, uncomfortable or pains in your body, please stop using immediately.

3.5 Turn off flashing strobe light

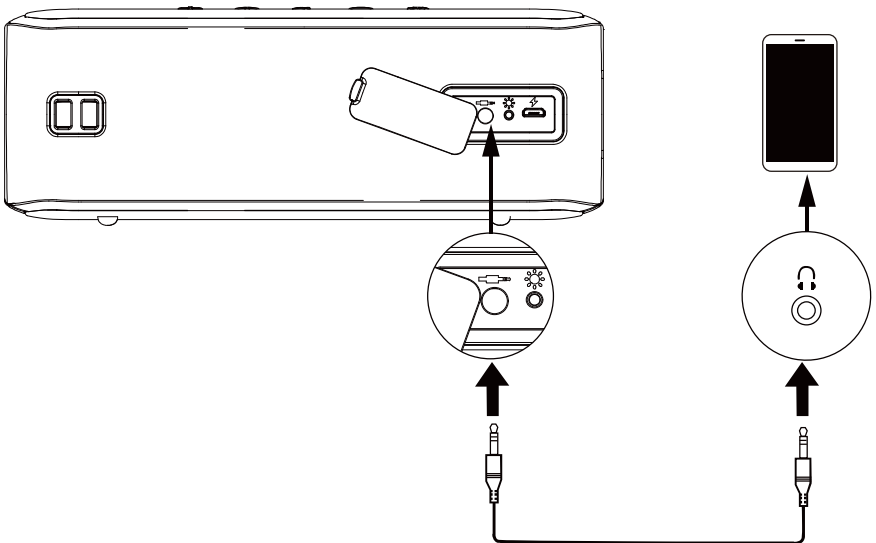


Open the soft rubber plug on the back of the speaker, press the light key to turn off the flashing strobe light, and press again to turn on.

Attention: The flashing strobe light can only be closed when the Bluetooth of the speaker has been successfully paired with other mobile phones or it is in the wired connection mode. Do not turn off the flashing strobe light if no pairing or wired connection is made.

3.6 How to use the speaker in wired mode

By connecting a portable audio device or the like with an audio cable, the speaker can be used as a common wired speaker system. Turn on the speaker first, and then connect the audio device through the audio cable for usage.



Insert a 3.5 mm audio cable into LINE IN mode, the flashing strobes will be in red for 3 seconds and then enter into breathing mode. When playing songs, the flashing strobes will flash randomly in colors according to the music rhythm. At the same time, the loudspeaker lights will also flash.

In wired mode, the speaker can conduct the operations of turning up/down, pause and playing by the function keys on the speaker. Attention: Only the speaker's own function can be controlled, not the connected mobile phone or other audio devices.

4.Package contents

- 1 x Wireless Bluetooth drum stereo speaker
- 1 x Micro USB charging cable
- 1 x 3.5 mm to 3.5 mm audio cable
- 1 x instruction

5.Product specifications

Bluetooth Version	V4.2
Support Bluetooth protocol	HFP, HSP, AVRCP, A2DP
Speaker Driver	Ø45mm, 2* 4Ω10W (20W)
Frequency response	70-20KHZ
Sensitivity	≥85db@1m1KHz Max Volume
Rated impedance	4Ω
MIC sensitivity	-42±3dB/Omnidirectional
SNR(Signal to Noise Ratio)	>70db
Bluetooth distance	≥ 25 m
Stand-by time	60 hours
Play time in Bluetooth mode	About 8.5 hours (at 50%Volume)
Play time in wired mode	About 10 hours (at 50%Volume)
Charging time	About 3 hours
Waterproof Rate	IPX7
Charging Input	≤DC 5V/2A
Net weight	677g

Declaration of Conformity to FCC Rules

This device complies with part 15 of the FCC Rules. Operation is subject to the condition that this device does not cause harmful interference (1) this device may not cause harmful interference, and (2) this device must accept any interference received, including interference that may cause undesired operation. Changes or modifications not expressly approved by the party responsible for compliance could void the user's authority to operate the equipment.

How to maintain this speaker

The fabric part of the speaker is waterproof, but it can be used more comfortably for a longer time if the following maintenance procedure are complied with.

Immediately flush the speaker with fresh water (tap water, etc.) for clean, if the speaker surface becomes dirty due to the following conditions. If surface stains are not removed in time, the fabric may become discolored or worn, or the speaker may fail.

E.g.:

- After being used on beaches, swimming pools and the like, objects such as salt particles and sand may be stuck on the speakers.
- The speaker is contaminated with foreign substances (sunscreen, sunscreen, etc.)
- If the speaker are touched to water, dry it immediately with a soft dry cloth. In addition, place the speaker

in a ventilated place until no moisture remains.

- The sound quality may change if any water enters into the fabric of the speaker inside. This is not a fault. Dry the water on the speaker surface, and then place side of the speaker's Dylan logo downward on a soft dry cloth to drain the water remained in the speaker. After that, place the speaker in a ventilated place until no moisture remains.

Attention

- If the speaker surface is dirty, do not use items such as detergent, thinner, gasoline, alcohol and others to clean in case of any effects on the waterproof performance of the speaker fabric due to these items.
- In cold areas, freezing and malfunction of the speaker may be caused due to moisture on the its surface. When there are water drops on the speaker, make sure to wipe off the water with a soft dry cloth, etc.
- Do not place the speakers where directly touches sand, such as in a sandbox or on a beach. If any sand particles enter into the speaker fabric, please take out carefully. Do not use vacuum cleaners and other similar equipment to clean the speaker. This may cause damage to the speaker assembly.

FCC Caution.

This device complies with part 15 of the FCC Rules. Operation is subject to the following two conditions:

- (1) This device may not cause harmful interference, and
- (2) this device must accept any interference received, including interference that may cause undesired operation.

Any Changes or modifications not expressly approved by the party responsible for compliance could void the user's authority to operate the equipment.

Note: This equipment has been tested and found to comply with the limits for a Class B digital device, pursuant to part 15 of the FCC Rules. These limits are designed to provide reasonable protection against harmful interference in a residential installation. This equipment generates uses and can radiate radio frequency energy and, if not installed and used in accordance with the instructions, may cause harmful interference to radio communications. However, there is no guarantee that interference will not occur in a particular installation. If this equipment does cause harmful interference to radio or television reception, which can be determined by turning the equipment off and on, the user is encouraged to try to correct the interference by one or more of the following measures:

- Reorient or relocate the receiving antenna.
- Increase the separation between the equipment and receiver.
- Connect the equipment into an outlet on a circuit different from that to which the receiver is connected.
- Consult the dealer or an experienced radio/TV technician for help.

The device has been evaluated to meet general RF exposure requirement. The device can be used in portable exposure condition without restriction.