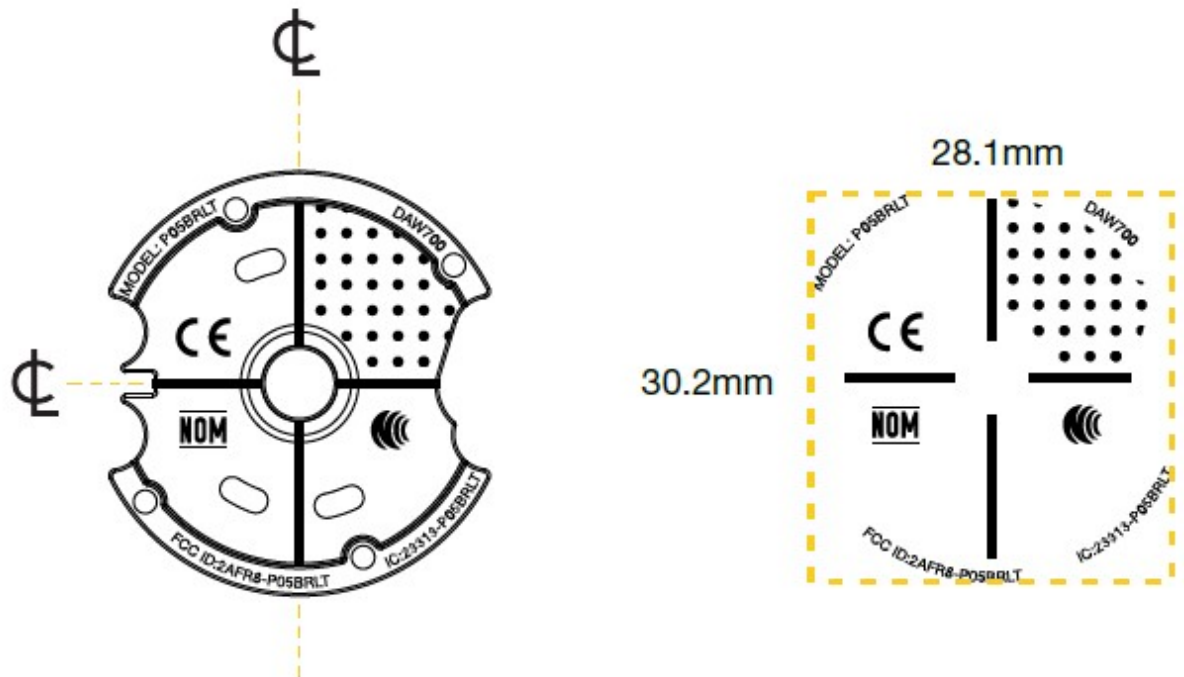


F2300133 Assembly



Laser Etch onto part F2300086
using artwork file: F2300133-P05BRLT-ART