



Test Report

Report No.: MTi210315006-01E1

Date of issue: Apr. 26, 2021

Applicant: Shenzhen Powerqi Technology
Co., Ltd.

Product name: Fast Wireless Charger

Model(s): LC06, PS102, 9915101100113,
9915101100112

FCC ID: 2AFP2LC06

Shenzhen Microtest Co., Ltd.
<http://www.mtitest.com>



Instructions

1. The report shall not be partially reproduced without the written consent of the laboratory;
2. The test results of this report are only responsible for the samples submitted;
3. This report is invalid without the seal and signature of the laboratory;
4. This report is invalid if transferred, altered or tampered with in any form without authorization;
5. Any objection to this report shall be submitted to the laboratory within 15 days from the date of receipt of the report.



Table of Contents

| | | |
|----------|-------------------------------------------------|-----------|
| 1 | GENERAL INFORMATION | 5 |
| 1.1 | FEATURE OF EQUIPMENT UNDER TEST (EUT)..... | 5 |
| 1.2 | TEST MODE | 5 |
| 1.3 | EUT TEST SETUP | 5 |
| 1.4 | ANCILLARY EQUIPMENT | 5 |
| 2 | SUMMARY OF TEST RESULT..... | 6 |
| 2.1 | OPERATION CHANNEL LIST | 6 |
| 2.2 | TEST CHANNEL | 6 |
| 3 | TEST FACILITIES AND ACCREDITATIONS | 7 |
| 3.1 | TEST LABORATORY | 7 |
| 3.2 | ENVIRONMENTAL CONDITIONS | 7 |
| 3.3 | MEASUREMENT UNCERTAINTY..... | 7 |
| 4 | LIST OF TEST EQUIPMENT..... | 8 |
| 5 | TEST RESULTS..... | 9 |
| 5.1 | ANTENNA REQUIREMENT | 9 |
| 5.1.1 | <i>Standard requirement</i> | 9 |
| 5.1.2 | <i>EUT Antenna</i> | 9 |
| 5.2 | CONDUCTED EMISSION | 10 |
| 5.2.1 | <i>Limits</i> | 10 |
| 5.2.2 | <i>Test Procedures</i> | 10 |
| 5.2.3 | <i>Test Setup</i> | 10 |
| 5.2.4 | <i>Test Result</i> | 10 |
| 5.3 | RADIATED EMISSION..... | 15 |
| 5.3.1 | <i>Limits</i> | 15 |
| 5.3.2 | <i>Test Procedures</i> | 16 |
| 5.3.3 | <i>Test Setup</i> | 17 |
| 5.3.4 | <i>Test Result</i> | 17 |
| 5.4 | OCCUPIED BANDWIDTH | 21 |
| 5.4.1 | <i>Test method</i> | 21 |
| 5.4.2 | <i>Test result</i> | 21 |
| | PHOTOGRAPHS OF THE TEST SETUP | 22 |
| | PHOTOGRAPHS OF THE EUT | 24 |



TEST RESULT CERTIFICATION

| | |
|---------------------------|----------------------------------------------------------------------------------------------------|
| Applicant's name | Shenzhen Powerqi Technology Co., Ltd. |
| Address | 2nd Floor, A4 Building, Block A, Fangxing Science & Tech. Park, Longgang District, Shenzhen, China |
| Manufacturer's Name | Shenzhen Powerqi Technology Co., Ltd. |
| Address | 2nd Floor, A4 Building, Block A, Fangxing Science & Tech. Park, Longgang District, Shenzhen, China |

Product description

| | |
|----------------------|-------------------------------------|
| Product name | Fast Wireless Charger |
| Trademark | N/A |
| Model Name | LC06 |
| Serial Model..... | PS102, 9915101100113, 9915101100112 |
| Standards | FCC Part 15C |
| Test procedure | ANSI C63.10-2013 |

Date of Test

| | |
|----------------------------------------|-------------------------------|
| Date (s) of performance of tests | Mar. 25, 2021 ~ Apr. 15, 2021 |
| Test Result..... | Pass |

This device described above has been tested by Shenzhen Microtest Co., Ltd. and the test results show that the equipment under test (EUT) is in compliance with the FCC requirements. And it is applicable only to the tested sample identified in the report.

Testing Engineer : Cindy Qin
(Cindy Qin)

Technical Manager : Leo Su
(Leo Su)

Authorized Signatory : Tom Xue
(Tom Xue)

1 GENERAL INFORMATION

1.1 Feature of equipment under test (EUT)

| | |
|----------------------|-------------------------------------------------------------------------|
| Product name: | Fast Wireless Charger |
| Model name: | LC06, PS102, 9915101100113, 9915101100112 |
| Model difference: | All the models are the same circuit and RF module, except the model No. |
| Operation frequency: | 115–205 kHz |
| Modulation type: | ASK |
| Max output power: | 15W |
| Antenna type: | Coil Antenna |
| Power supply: | DC 12V from adapter AC 120V/60Hz |
| Input: | 5V/3A, 9V/2.22A, 12V/1.67A |
| Battery: | N/A |
| Adapter information: | N/A |
| EUT serial number: | MTi210315006-01-S0001 |

1.2 Test mode

To investigate the maximum EMI emission characteristics generates from EUT, the test system was pre-scanning tested base on the consideration of following EUT operation mode or test configuration mode which possible have effect on EMI emission level. Each of these EUT operation mode(s) or test configuration mode(s) mentioned above was evaluated respectively.

| Test mode | Description |
|-----------|-------------------|
| Mode 1 | Wireless charging |

Note:

1: The test modes were carried out for all operation modes. The final test mode of the EUT was the worst test mode for EMI, and its test data was showed.

2: EUT is tested under full load.

1.3 EUT test setup

See photographs of the test setup in the report for the actual setup and connections between EUT and support equipment.

1.4 Ancillary equipment

| Equipment | Model | S/N | Manufacturer |
|-----------|--------------|-----|-----------------------------------|
| Adapter | HW-090200CH0 | / | Huizhou BYD Electronics Co., Ltd. |
| Load | YBZ1.1 | / | YBZ |



2 Summary of Test Result

| Item | FCC Part No. | Description of Test | Result |
|------|-----------------|---------------------|--------|
| 1 | FCC PART 15.203 | Antenna requirement | Pass |
| 2 | FCC PART 15.207 | Conducted emission | Pass |
| 3 | FCC PART 15.209 | Radiated emission | Pass |
| 4 | FCC Part 15.215 | 20dB bandwidth | Pass |

2.1 Operation channel list

| Channel | Frequency (kHz) |
|---------|-----------------|
| Low | 115 |
| Middle | 122 |
| High | 205 |

2.2 Test channel

| Channel | Frequency (kHz) |
|---------|-----------------|
| Middle | 122 |

3 Test Facilities and Accreditations

3.1 Test laboratory

| | |
|-----------------------|-----------------------------------------------------------------------------------------------------------------------------------------|
| Test Laboratory | Shenzhen Microtest Co., Ltd |
| Location | 101, No. 7, Zone 2, Xinxing Industrial Park, Fuhai Avenue, Xinhe Community, Fuhai Street, Bao' an District, Shenzhen, Guangdong, China. |
| FCC Registration No.: | 448573 |

3.2 Environmental conditions

| | |
|----------------------|--------------|
| Temperature: | 15°C~35°C |
| Humidity | 20%~75% |
| Atmospheric pressure | 98kPa~101kPa |

3.3 Measurement uncertainty

Measurement Uncertainty for a Level of Confidence of 95 %, $U=2xUc(y)$

| | |
|----------------------------------|--------------------|
| RF frequency | 1×10^{-7} |
| RF power, conducted | ± 1 dB |
| Conducted emission(150kHz~30MHz) | ± 2.5 dB |
| Radiated emission(30MHz~1GHz) | ± 4.2 dB |
| Radiated emission (above 1GHz) | ± 4.3 dB |
| Temperature | ± 1 degree |
| Humidity | ± 5 % |



4 List of test equipment

| Equipment No. | Equipment Name | Manufacturer | Model | Serial No. | Calibration date | Due date |
|---------------|------------------------------------|-----------------|-------------|----------------|------------------|------------|
| MTI-E043 | EMI Test Receiver | Rohde&schwarz | ESCI7 | 101166 | 2020/06/04 | 2021/06/03 |
| MTI-E044 | TRILOG Broadband Antenna | Schwarzbeck | VULB 9163 | 9163-1338 | 2020/06/05 | 2021/06/04 |
| MTI-E047 | Amplifier | Hewlett-Packard | 8447F | 3113A06150 | 2020/06/04 | 2021/06/03 |
| MTI-E089 | ESG Vector Signal Generator | Agilent | N5182A | MY49060455 | 2020/06/03 | 2021/06/02 |
| MTI-E058 | ESG Series Analog Signal Generator | Agilent | E4421B | GB40051240 | 2020/07/03 | 2021/07/04 |
| MTI-E062 | PXA Signal Analyzer | Agilent | N9030A | MY51350296 | 2020/06/04 | 2021/06/03 |
| MTI-E066 | MXA Signal Analyzer | Agilent | N9020A | MY50143483 | 2020/06/04 | 2021/06/03 |
| MTI-E078 | Synthesized Sweeper | Agilent | 83752A | 3610A01957 | 2020/06/04 | 2021/06/03 |
| MTI-E079 | DC Power Supply | Agilent | E3632A | MY40027695 | 2020/06/04 | 2021/06/03 |
| MTI-E021 | EMI Test Receiver | Rohde&schwarz | ESCS30 | 100210 | 2020/06/04 | 2021/06/03 |
| MTI-E022 | Pulse Limiter | Schwarzbeck | VSTD 9561-F | 00679 | 2020/06/03 | 2021/06/02 |
| MTI-E023 | Artificial mains network | Schwarzbeck | NSLK 8127 | NSLK 8127 #841 | 2020/06/04 | 2021/06/03 |
| MTI-E046 | Active Loop Antenna | Schwarzbeck | FMZB 1519 B | 00044 | 2020/06/05 | 2021/06/04 |
| MTI-E048 | Amplifier | Agilent | 8449B | 3008A02400 | 2020/07/03 | 2021/07/04 |
| MTI-E072 | Thermometer Clock Humidity Monitor | - | HTC-1 | / | 2020/06/07 | 2021/06/06 |
| MTI-E090 | Test Loop Antenna | DATETEK | LA-001 | 771409634 | 2020/06/05 | 2021/06/04 |

Note: the calibration interval of the above test instruments is 12 months and the calibrations are traceable to international system unit (SI).



5 Test Results

5.1 Antenna requirement

5.1.1 Standard requirement

15.203 requirement: For intentional device, according to 15.203: an intentional radiator shall be designed to ensure that no antenna other than that furnished by the responsible party shall be used with the device

5.1.2 EUT Antenna

The EUT antenna is Coil Antenna. It comply with the standard requirement. In case of replacement of broken antenna the same antenna type must be used.

5.2 Conducted emission

5.2.1 Limits

For the following equipment, when designed to be connected to the public utility (AC) power line the radio frequency voltage that is conducted back onto the AC power line on any frequency or frequencies shall not exceed the limits in the following tables. Compliance with the provisions of this paragraph shall be based on the measurement of the radio frequency voltage between each power line and ground at the power terminal using a 50 μ H/50 ohms line impedance stabilization network (LISN).

| Frequency (MHz) | Conducted limit (dB μ V) | |
|-----------------|------------------------------|-----------|
| | Quasi-peak | Average |
| 0.15 -0.5 | 66 - 56 * | 56 - 46 * |
| 0.5 -5 | 56 | 46 |
| 5 -30 | 60 | 50 |

Note:

the limit of " * " marked band means the limitation decreases linearly with the logarithm of the frequency in the range.

5.2.2 Test Procedures

The EUT was placed 0.8 meters from the horizontal ground plane with EUT being connected to the power mains through a line impedance stabilization network (LISN). All other support equipment powered from additional LISN(s). The LISN provide 50 Ohm/ 50uH of coupling impedance for the measuring instrument.

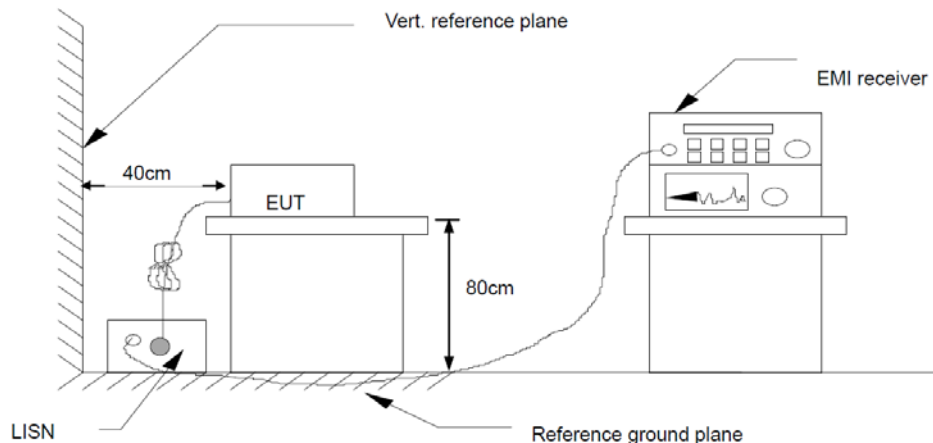
Interconnecting cables that hang closer than 40 cm to the ground plane shall be folded back and forth in the center forming a bundle 30 to 40 cm long.

I/O cables that are not connected to a peripheral shall be bundled in the center. The end of the cable may be terminated, if required, using the correct terminating impedance. The overall length shall not exceed 1 m.

LISN is at least 80 cm from nearest part of EUT chassis.

For the actual test configuration, please refer to the related Item – photographs of the test setup.

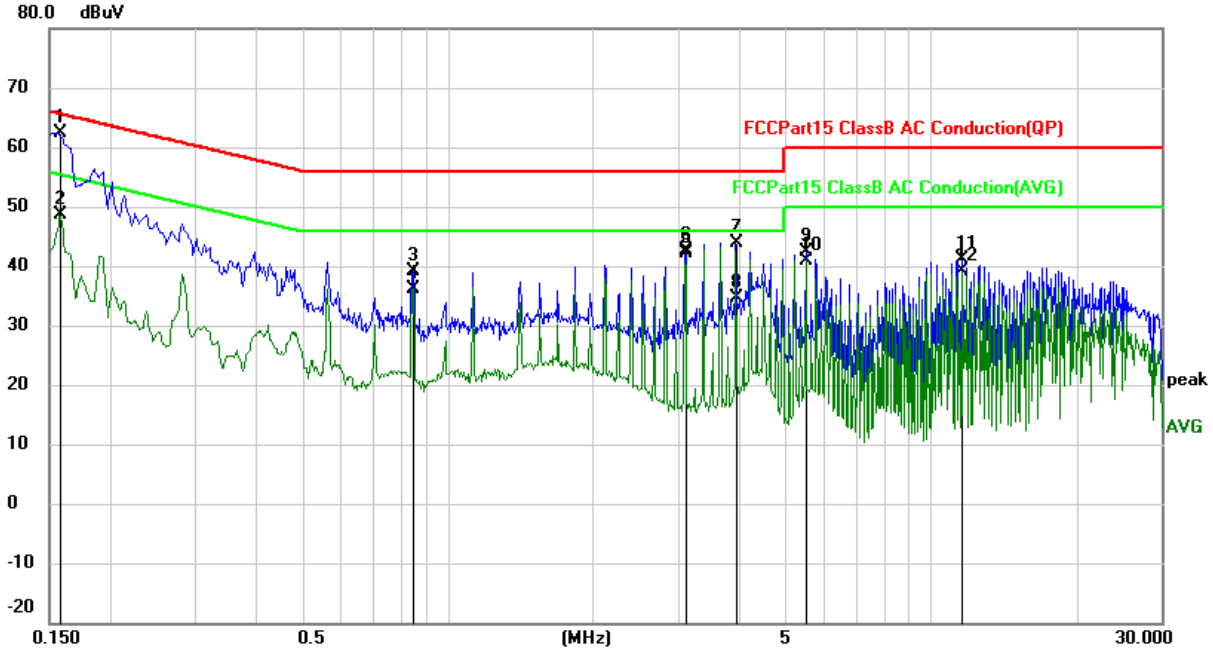
5.2.3 Test Setup



5.2.4 Test Result



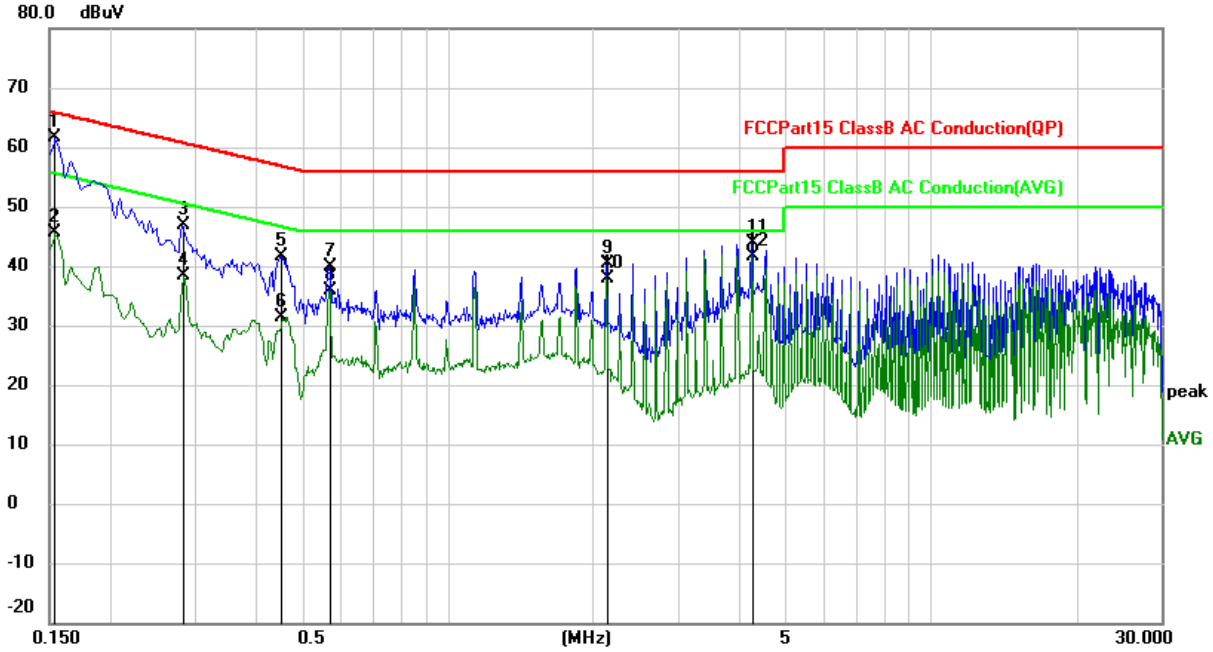
| | | | |
|---------------|-------------------------------------|-------------|--------|
| EUT: | Fast Wireless Charger | Model Name: | LC06 |
| Pressure: | 101kPa | Phase: | L |
| Test voltage: | DC 12V from adapter AC 120V/60Hz | Test mode: | Mode 1 |



| No. | Mk. | Freq. | Reading Level | Correct Factor | Measurement | Limit | Over | Detector |
|-----|-----|---------|---------------|----------------|-------------|-------|--------|----------|
| | | MHz | dBuV | dB | dBuV | dBuV | dB | |
| 1 | * | 0.1580 | 51.39 | 10.99 | 62.38 | 65.57 | -3.19 | peak |
| 2 | | 0.1580 | 37.62 | 10.99 | 48.61 | 55.57 | -6.96 | AVG |
| 3 | | 0.8460 | 27.90 | 11.19 | 39.09 | 56.00 | -16.91 | QP |
| 4 | | 0.8460 | 24.91 | 11.19 | 36.10 | 46.00 | -9.90 | AVG |
| 5 | | 3.1060 | 30.77 | 11.40 | 42.17 | 56.00 | -13.83 | QP |
| 6 | | 3.1060 | 31.18 | 11.40 | 42.58 | 46.00 | -3.42 | AVG |
| 7 | | 3.9540 | 32.54 | 11.44 | 43.98 | 56.00 | -12.02 | QP |
| 8 | | 3.9540 | 23.16 | 11.44 | 34.60 | 46.00 | -11.40 | AVG |
| 9 | | 5.5140 | 30.86 | 11.53 | 42.39 | 60.00 | -17.61 | QP |
| 10 | | 5.5140 | 29.42 | 11.53 | 40.95 | 50.00 | -9.05 | AVG |
| 11 | | 11.5980 | 29.47 | 11.62 | 41.09 | 60.00 | -18.91 | QP |
| 12 | | 11.5980 | 27.49 | 11.62 | 39.11 | 50.00 | -10.89 | AVG |



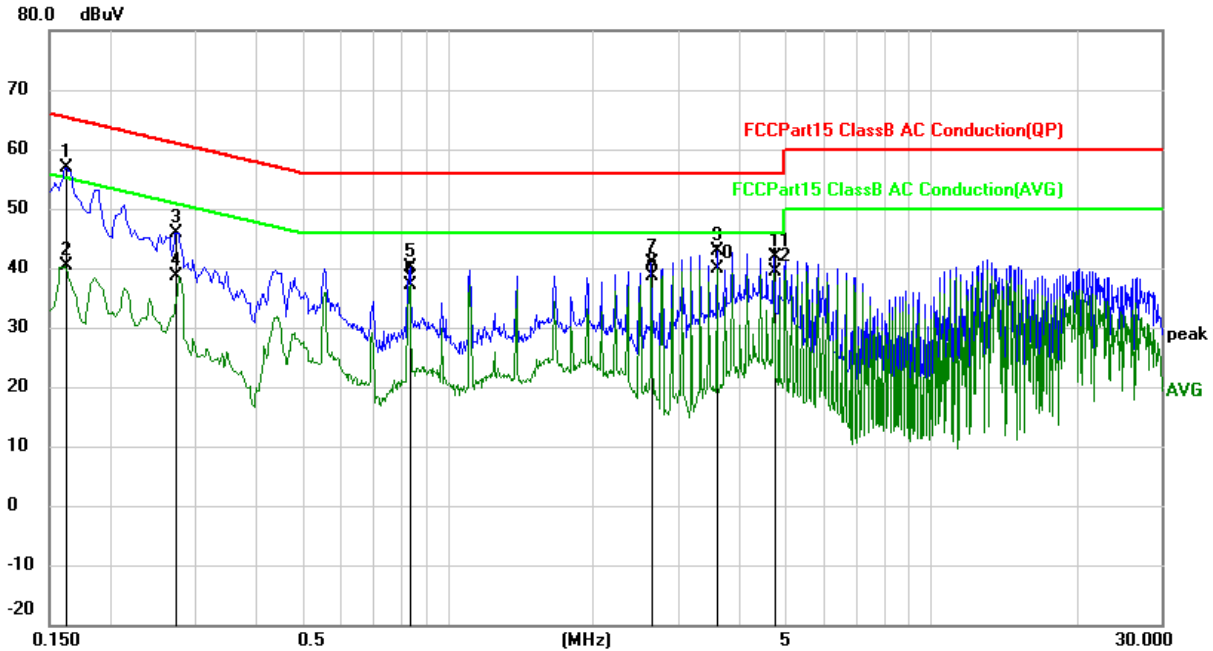
| | | | |
|---------------|-------------------------------------|-------------|--------|
| EUT: | Fast Wireless Charger | Model Name: | LC06 |
| Pressure: | 101kPa | Phase: | N |
| Test voltage: | DC 12V from adapter AC 120V/60Hz | Test mode: | Mode 1 |



| No. | Mk. | Freq. MHz | Reading Level dBuV | Correct Factor dB | Measure- ment dBuV | Limit dBuV | Over dB | Detector |
|-----|-----|--------------|--------------------------|-------------------------|--------------------------|---------------|------------|----------|
| 1 | * | 0.1539 | 50.58 | 10.99 | 61.57 | 65.79 | -4.22 | QP |
| 2 | | 0.1539 | 34.60 | 10.99 | 45.59 | 55.79 | -10.20 | AVG |
| 3 | | 0.2819 | 35.96 | 10.99 | 46.95 | 60.76 | -13.81 | QP |
| 4 | | 0.2819 | 27.38 | 10.99 | 38.37 | 50.76 | -12.39 | AVG |
| 5 | | 0.4500 | 30.59 | 11.03 | 41.62 | 56.88 | -15.26 | QP |
| 6 | | 0.4500 | 20.40 | 11.03 | 31.43 | 46.88 | -15.45 | AVG |
| 7 | | 0.5700 | 28.75 | 11.08 | 39.83 | 56.00 | -16.17 | QP |
| 8 | | 0.5700 | 24.71 | 11.08 | 35.79 | 46.00 | -10.21 | AVG |
| 9 | | 2.1340 | 29.00 | 11.40 | 40.40 | 56.00 | -15.60 | QP |
| 10 | | 2.1340 | 26.54 | 11.40 | 37.94 | 46.00 | -8.06 | AVG |
| 11 | | 4.2660 | 32.42 | 11.45 | 43.87 | 56.00 | -12.13 | QP |
| 12 | | 4.2660 | 30.22 | 11.45 | 41.67 | 46.00 | -4.33 | AVG |



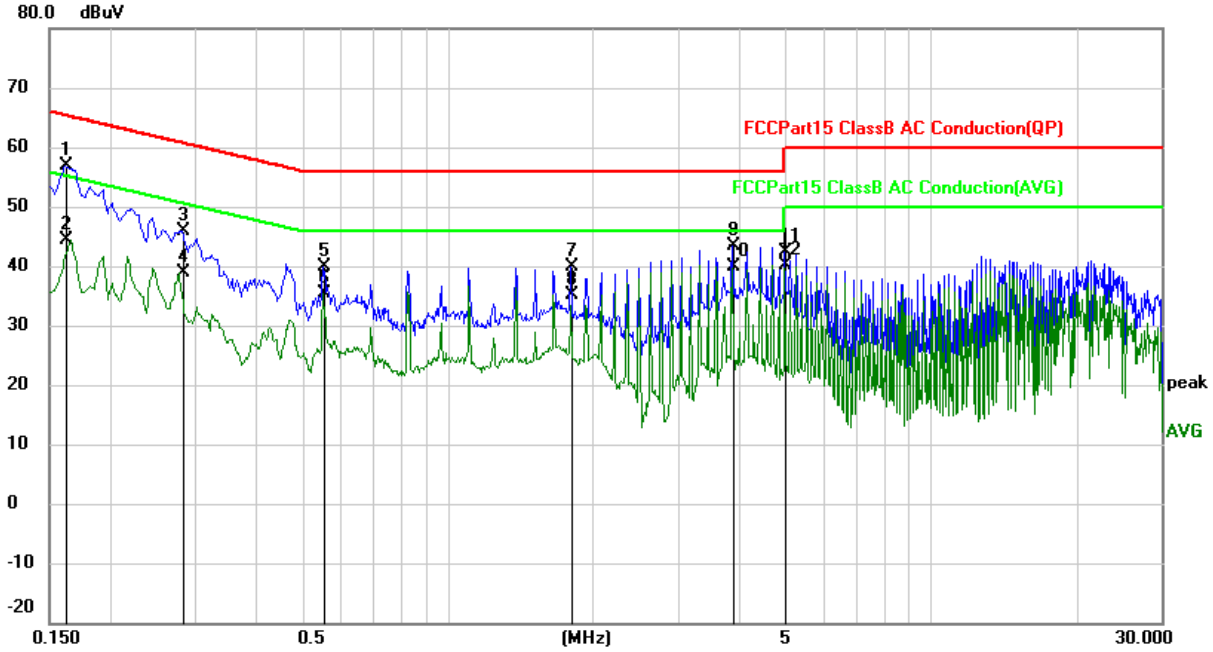
| | | | |
|---------------|-------------------------------------|-------------|--------|
| EUT: | Fast Wireless Charger | Model Name: | LC06 |
| Pressure: | 101kPa | Phase: | L |
| Test voltage: | DC 12V from adapter AC 240V/60Hz | Test mode: | Mode 1 |



| No. | Mk. | Freq. MHz | Reading Level dBuV | Correct Factor dB | Measure- ment dBuV | Limit dBuV | Over dB | Detector |
|-----|-----|--------------|--------------------------|-------------------------|--------------------------|---------------|------------|----------|
| 1 | | 0.1620 | 46.01 | 10.94 | 56.95 | 65.36 | -8.41 | QP |
| 2 | | 0.1620 | 29.34 | 10.94 | 40.28 | 55.36 | -15.08 | AVG |
| 3 | | 0.2740 | 35.00 | 10.93 | 45.93 | 61.00 | -15.07 | QP |
| 4 | | 0.2740 | 27.58 | 10.93 | 38.51 | 51.00 | -12.49 | AVG |
| 5 | | 0.8380 | 28.89 | 11.14 | 40.03 | 56.00 | -15.97 | QP |
| 6 | | 0.8380 | 25.89 | 11.14 | 37.03 | 46.00 | -8.97 | AVG |
| 7 | | 2.6420 | 29.55 | 11.39 | 40.94 | 56.00 | -15.06 | QP |
| 8 | | 2.6420 | 27.22 | 11.39 | 38.61 | 46.00 | -7.39 | AVG |
| 9 | | 3.6140 | 31.54 | 11.39 | 42.93 | 56.00 | -13.07 | QP |
| 10 | * | 3.6140 | 28.39 | 11.39 | 39.78 | 46.00 | -6.22 | AVG |
| 11 | | 4.7260 | 30.56 | 11.39 | 41.95 | 56.00 | -14.05 | QP |
| 12 | | 4.7260 | 28.11 | 11.39 | 39.50 | 46.00 | -6.50 | AVG |



| | | | |
|---------------|-------------------------------------|-------------|--------|
| EUT: | Fast Wireless Charger | Model Name: | LC06 |
| Pressure: | 101kPa | Phase: | N |
| Test voltage: | DC 12V from adapter AC 240V/60Hz | Test mode: | Mode 1 |



| No. | Mk. | Freq. MHz | Reading Level dBuV | Correct Factor dB | Measure- ment dBuV | Limit dBuV | Over dB | Detector |
|-----|-----|--------------|--------------------------|-------------------------|--------------------------|---------------|------------|----------|
| 1 | | 0.1620 | 45.91 | 10.94 | 56.85 | 65.36 | -8.51 | QP |
| 2 | | 0.1620 | 33.36 | 10.94 | 44.30 | 55.36 | -11.06 | AVG |
| 3 | | 0.2819 | 35.05 | 10.92 | 45.97 | 60.76 | -14.79 | QP |
| 4 | | 0.2819 | 28.07 | 10.92 | 38.99 | 50.76 | -11.77 | AVG |
| 5 | | 0.5540 | 28.94 | 10.96 | 39.90 | 56.00 | -16.10 | QP |
| 6 | | 0.5540 | 24.40 | 10.96 | 35.36 | 46.00 | -10.64 | AVG |
| 7 | | 1.8020 | 28.60 | 11.35 | 39.95 | 56.00 | -16.05 | QP |
| 8 | | 1.8020 | 23.73 | 11.35 | 35.08 | 46.00 | -10.92 | AVG |
| 9 | | 3.8820 | 31.93 | 11.38 | 43.31 | 56.00 | -12.69 | QP |
| 10 | | 3.8820 | 28.48 | 11.38 | 39.86 | 46.00 | -6.14 | AVG |
| 11 | | 4.9899 | 30.94 | 11.39 | 42.33 | 56.00 | -13.67 | QP |
| 12 | * | 4.9899 | 28.82 | 11.39 | 40.21 | 46.00 | -5.79 | AVG |



5.3 Radiated emission

5.3.1 Limits

In case the emission fall within the restricted band specified on 15.205(a), then the 15.209(a) limit in the table below has to be followed.

| Frequencies (MHz) | Field Strength (microrvolts/meter) | Measurement Distance (meters) |
|-------------------|------------------------------------|-------------------------------|
| 0.009~0.490 | 2400/F(KHz) | 300 |
| 0.490~1.705 | 24000/F(KHz) | 30 |
| 1.705~30.0 | 30 | 30 |
| 30~88 | 100 | 3 |
| 88~216 | 150 | 3 |
| 216~960 | 200 | 3 |
| Above 960 | 500 | 3 |

LIMITS OF RADIATED EMISSION MEASUREMENT (Above 1000MHz)

| FREQUENCY (MHz) | Class B (dBuV/m) (at 3M) | |
|-----------------|--------------------------|---------|
| | PEAK | AVERAGE |
| Above 1000 | 74 | 54 |

Notes:

The limit for radiated test was performed according to FCC PART 15C.

The tighter limit applies at the band edges.

Emission level (dBuV/m)=20log Emission level (uV/m).

FREQUENCY RANGE OF RADIATED MEASUREMENT (For unintentional radiators)

| Highest frequency generated or Upper frequency of measurement used in the device or on which the device operates or tunes (MHz) | Range (MHz) |
|---------------------------------------------------------------------------------------------------------------------------------|---------------------------------------------------------------------------------|
| Below 1.705 | 30 |
| 1.705 – 108 | 1000 |
| 108 – 500 | 2000 |
| 500 – 1000 | 5000 |
| Above 1000 | 5 th harmonic of the highest frequency or 40 GHz, whichever is lower |

| Spectrum Parameter | Setting |
|---------------------------------------|--------------------------------------------------|
| Attenuation | Auto |
| Start Frequency | 1000 MHz |
| Stop Frequency | 10th carrier harmonic |
| RB / VB (emission in restricted band) | 1 MHz / 1 MHz for Peak, 1 MHz / 10Hz for Average |

| Receiver Parameter | Setting |
|------------------------|----------------------------------|
| Attenuation | Auto |
| Start ~ Stop Frequency | 9kHz~150kHz / RB 200Hz for QP |
| Start ~ Stop Frequency | 150kHz~30MHz / RB 9kHz for QP |
| Start ~ Stop Frequency | 30MHz~1000MHz / RB 120kHz for QP |

5.3.2 Test Procedures

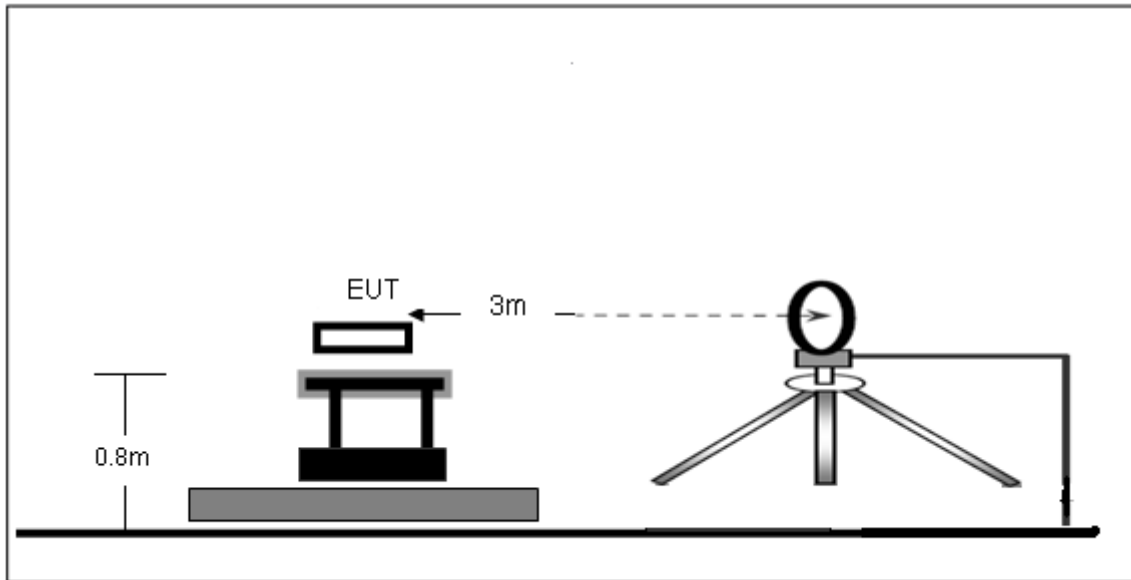
- a. The measuring distance of at 3 m shall be used for measurements at frequency up to 25GHz. For frequencies above 1GHz, any suitable measuring distance may be used.
- b. The EUT was placed on the top of a rotating table 0.8 meters above the ground at a 3 meter semi-chamber test. The table was rotated 360 degrees to determine the position of the highest radiation.
- c. The height of the equipment or of the substitution antenna shall be 0.8m; above 1GHz, the height was 1.5m, the height of the test antenna shall vary between 1 m to 4 m. Both horizontal and vertical polarizations of the antenna are set to make the measurement.
- d. The initial step in collecting conducted emission data is a spectrum analyzer peak detector mode pre-scanning the measurement frequency range. Significant peaks are then marked and then Quasi Peak detector mode re-measured.
- e. If the Peak Mode measured value compliance with and lower than Quasi Peak Mode Limit, the EUT shall be deemed to meet QP Limits and then no additional QP Mode measurement performed.
- f. For the actual test configuration, please refer to the related Item –EUT Test Photos.
- g. For the radiated emission test above 1GHz:
Place the measurement antenna away from each area of the EUT determined to be a source of emissions at the specified measurement distance, while keeping the measurement antenna aimed at the source of emissions at each frequency of significant emissions, with polarization oriented for maximum response.
- h. The measurement antenna may have to be higher or lower than the EUT, depending on the radiation pattern of the emission and staying aimed at the emission source for receiving the maximum signal. The final measurement antenna elevation shall be that which maximizes the emissions. The measurement antenna elevation for maximum emissions shall be restricted to a range of heights of from 1 m to 4 m above the ground or reference ground plane.

Note: Both horizontal and vertical antenna polarities were tested and performed pretest to three orthogonal axis. The worst case emissions were reported.

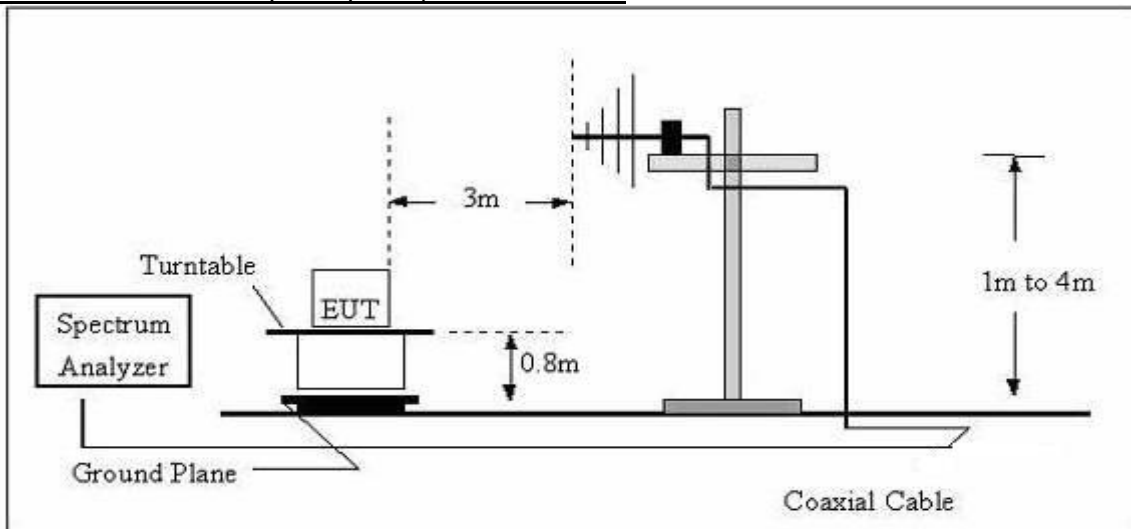


5.3.3 Test Setup

Radiated Emission Test-Up Frequency Below 30MHz



Radiated Emission Test-Up Frequency 30MHz~1GHz

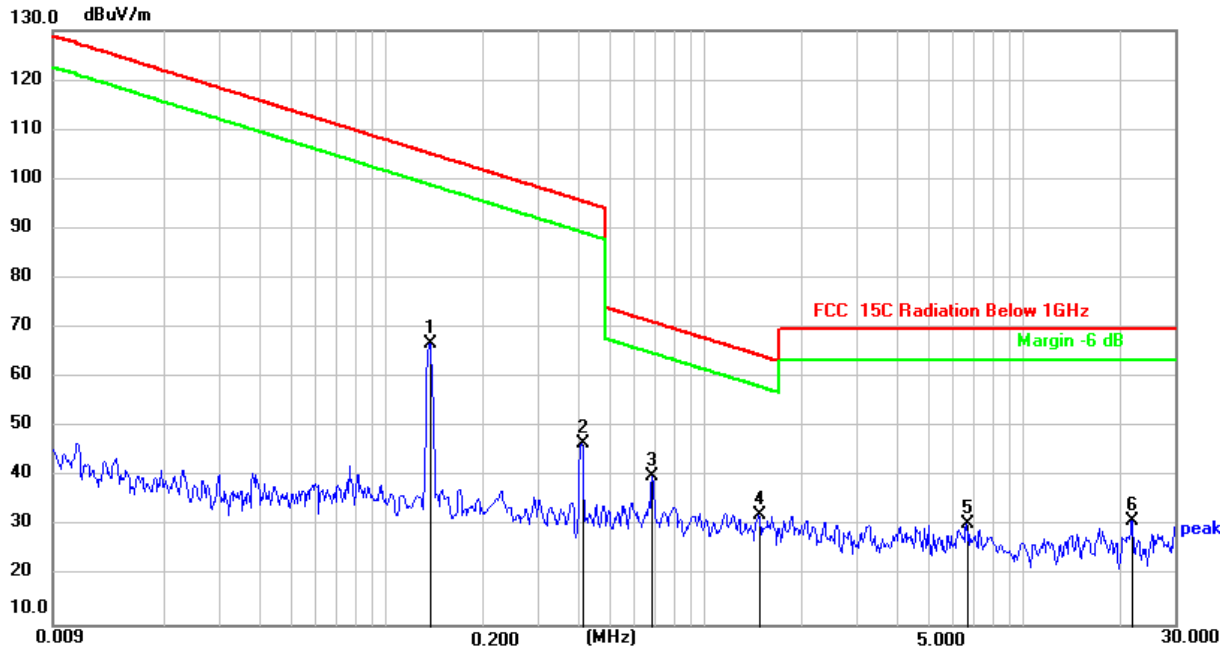


5.3.4 Test Result



Frequency range (9kHz – 30MHz)

| | | | |
|---------------|----------------------------------|-------------|--------|
| EUT: | Fast Wireless Charger | Model Name: | LC06 |
| Pressure: | 101kPa | Test mode: | Mode 1 |
| Test voltage: | DC 12V from adapter AC 120V/60Hz | | |

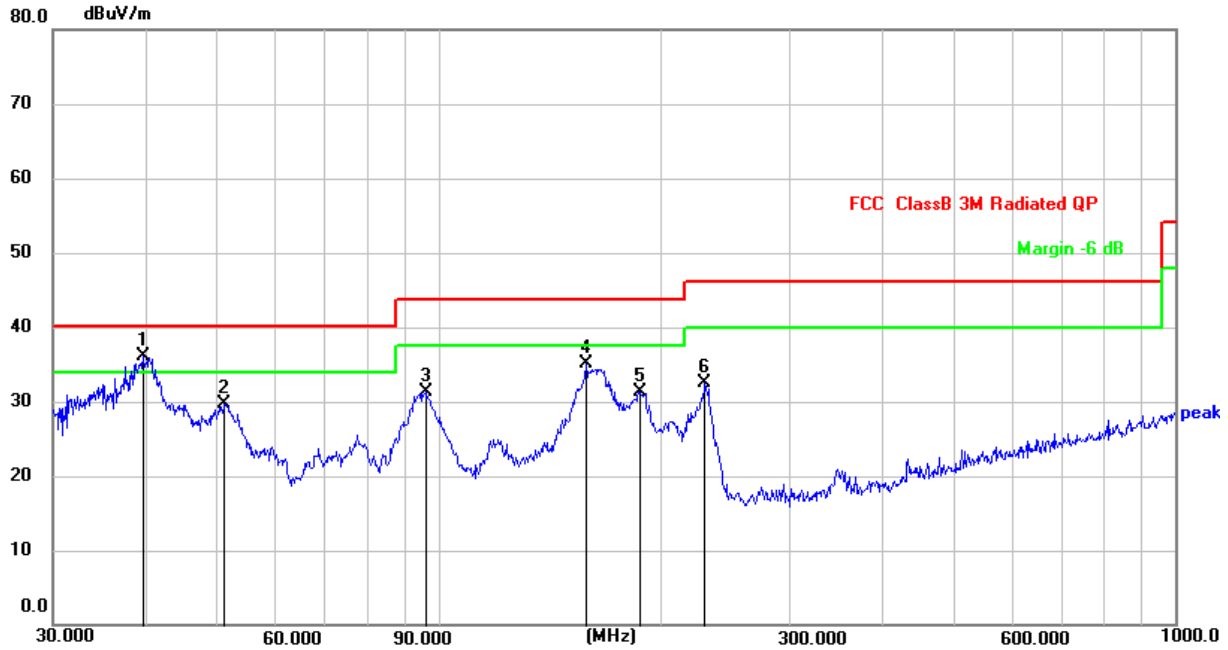


| No. | Frequency (MHz) | Reading (dBuV) | Factor (dB/m) | Level (dBuV/m) | Limit (dBuV/m) | Margin (dB) | Detector |
|-----|-----------------|----------------|---------------|----------------|----------------|-------------|----------|
| 1 | 0.1374 | 45.14 | 21.83 | 66.97 | 104.84 | -37.87 | QP |
| 2 | 0.4107 | 25.07 | 21.76 | 46.83 | 95.33 | -48.50 | QP |
| 3 * | 0.6846 | 18.34 | 21.94 | 40.28 | 70.90 | -30.62 | QP |
| 4 | 1.4796 | 10.12 | 22.30 | 32.42 | 64.23 | -31.81 | QP |
| 5 | 6.6354 | 8.74 | 21.86 | 30.60 | 69.50 | -38.90 | QP |
| 6 | 21.8640 | 9.50 | 21.65 | 31.15 | 69.50 | -38.35 | QP |



Frequency range (30MHz – 1GHz)

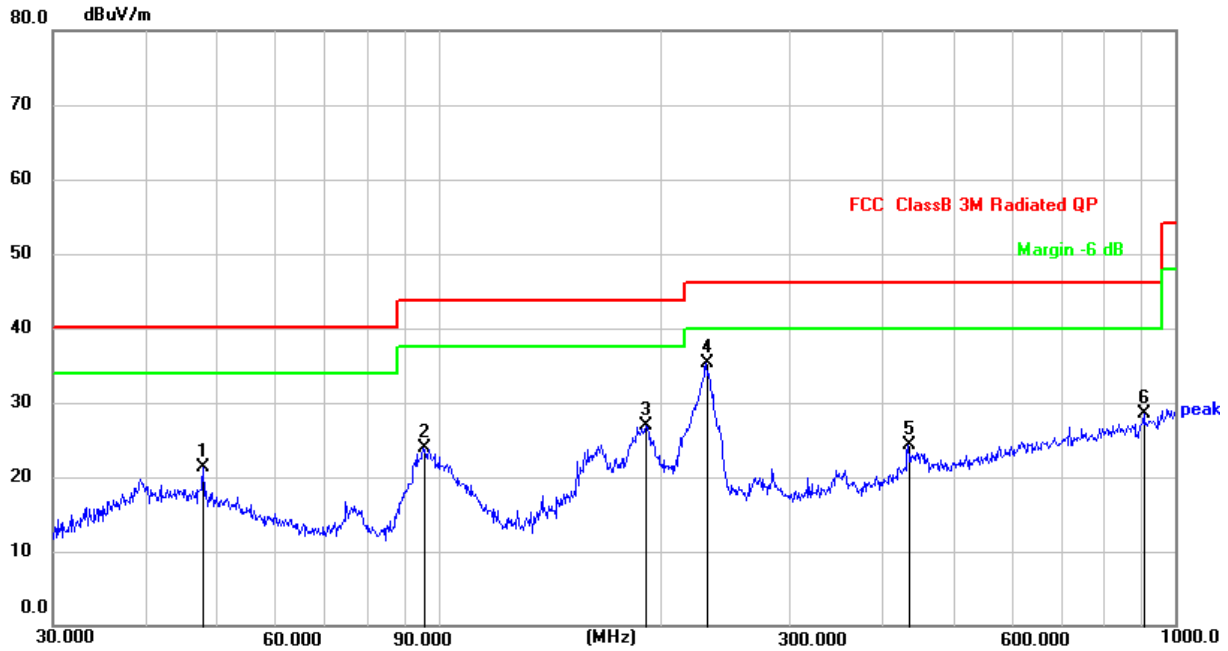
| | | | |
|---------------|-------------------------------------|---------------|----------|
| EUT: | Fast Wireless Charger | Model Name: | LC06 |
| Pressure: | 101kPa | Polarization: | Vertical |
| Test voltage: | DC 12V from adapter AC 120V/60Hz | Test mode: | Mode 1 |



| No. | Frequency (MHz) | Reading (dBuV) | Factor (dB/m) | Level (dBuV/m) | Limit (dBuV/m) | Margin (dB) | Detector |
|-----|-----------------|----------------|---------------|----------------|----------------|-------------|----------|
| 1 * | 39.7146 | 48.72 | -12.54 | 36.18 | 40.00 | -3.82 | QP |
| 2 | 51.3005 | 41.42 | -11.78 | 29.64 | 40.00 | -10.36 | QP |
| 3 | 96.0986 | 44.52 | -13.14 | 31.38 | 43.50 | -12.12 | QP |
| 4 | 158.6677 | 49.78 | -14.61 | 35.17 | 43.50 | -8.33 | QP |
| 5 | 187.0958 | 43.93 | -12.59 | 31.34 | 43.50 | -12.16 | QP |
| 6 | 230.0985 | 42.89 | -10.48 | 32.41 | 46.00 | -13.59 | QP |



| | | | |
|---------------|-------------------------------------|---------------|------------|
| EUT: | Fast Wireless Charger | Model Name: | LC06 |
| Pressure: | 101kPa | Polarization: | Horizontal |
| Test voltage: | DC 12V from adapter AC 120V/60Hz | Test mode: | Mode 1 |



| No. | Frequency (MHz) | Reading (dBuV) | Factor (dB/m) | Level (dBuV/m) | Limit (dBuV/m) | Margin (dB) | Detector |
|-----|-----------------|----------------|---------------|----------------|----------------|-------------|----------|
| 1 | 47.9940 | 33.15 | -11.81 | 21.34 | 40.00 | -18.66 | QP |
| 2 | 95.4270 | 37.17 | -13.24 | 23.93 | 43.50 | -19.57 | QP |
| 3 | 191.0738 | 39.13 | -12.18 | 26.95 | 43.50 | -16.55 | QP |
| 4 * | 230.9068 | 45.69 | -10.46 | 35.23 | 46.00 | -10.77 | QP |
| 5 | 434.0651 | 31.02 | -6.64 | 24.38 | 46.00 | -21.62 | QP |
| 6 | 906.4824 | 27.18 | 1.28 | 28.46 | 46.00 | -17.54 | QP |

5.4 Occupied bandwidth

5.4.1 Test method

Use the following spectrum analyzer settings:

Span = approximately 2 to 3 times the 20 dB bandwidth, centered on a hopping channel

RBW $\geq 1\%$ of the 20 dB bandwidth

VBW \geq RBW

Sweep = auto

Detector function = peak

Trace = max hold

The EUT should be transmitting at its maximum data rate. Allow the trace to stabilize. Use the marker-to-peak function to set the marker to the peak of the emission. Use the marker-delta function to measure 20 dB down one side of the emission. Reset the marker-delta function, and move the marker to the other side of the emission, until it is (as close as possible to) even with the reference marker level. The marker-delta reading at this point is the 20 dB bandwidth and 99% occupied bandwidth of the emission.

5.4.2 Test result

| Frequency (kHz) | 20dB emission bandwidth (kHz) | 99% occupied bandwidth (kHz) |
|-----------------|-------------------------------|------------------------------|
| 122 | 8.155 | 6.982 |

Test plots as below:



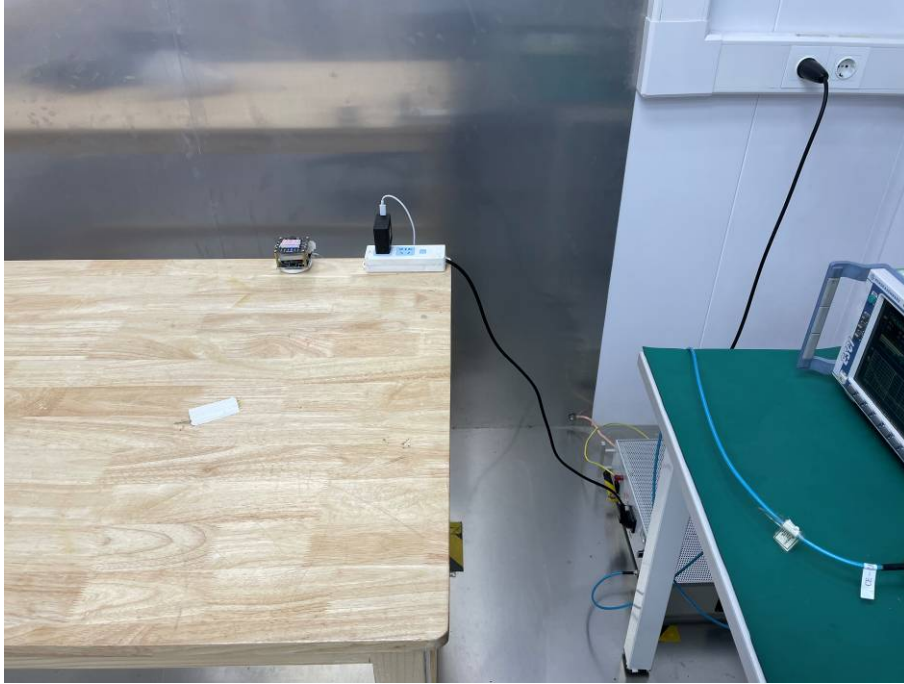
Photographs of the Test Setup

Radiated emission





Conducted emission





Photographs of the EUT

See the APPENDIX 1- EUT PHOTO.

----END OF REPORT----