

1 Bluetooth Antenna Design

The Bluetooth antenna is integrated into the main PCB and occupies an area of 7,50mm x 14,00mm of the board as shown in Figure 1 below.

See report: **Document 75952029-28 Issue 01**

Antenna gain @ 2.402GHz = -7.18dBi

Antenna gain @ 2.440GHz = -7.17dBi

Antenna gain @ 2.480GHz = -7.08dBi

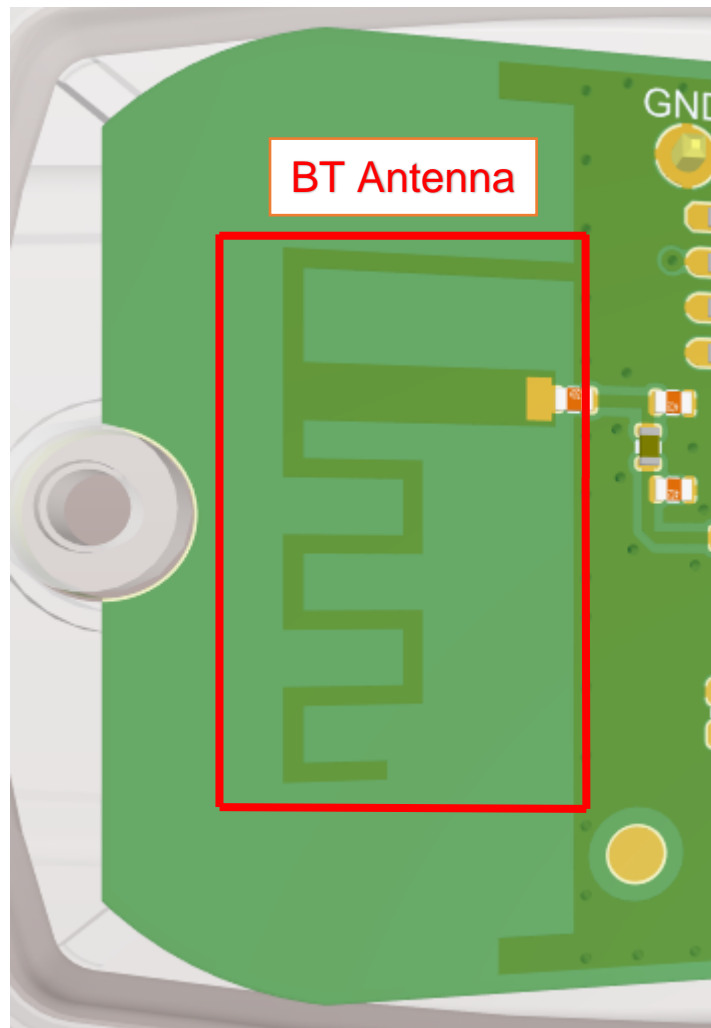
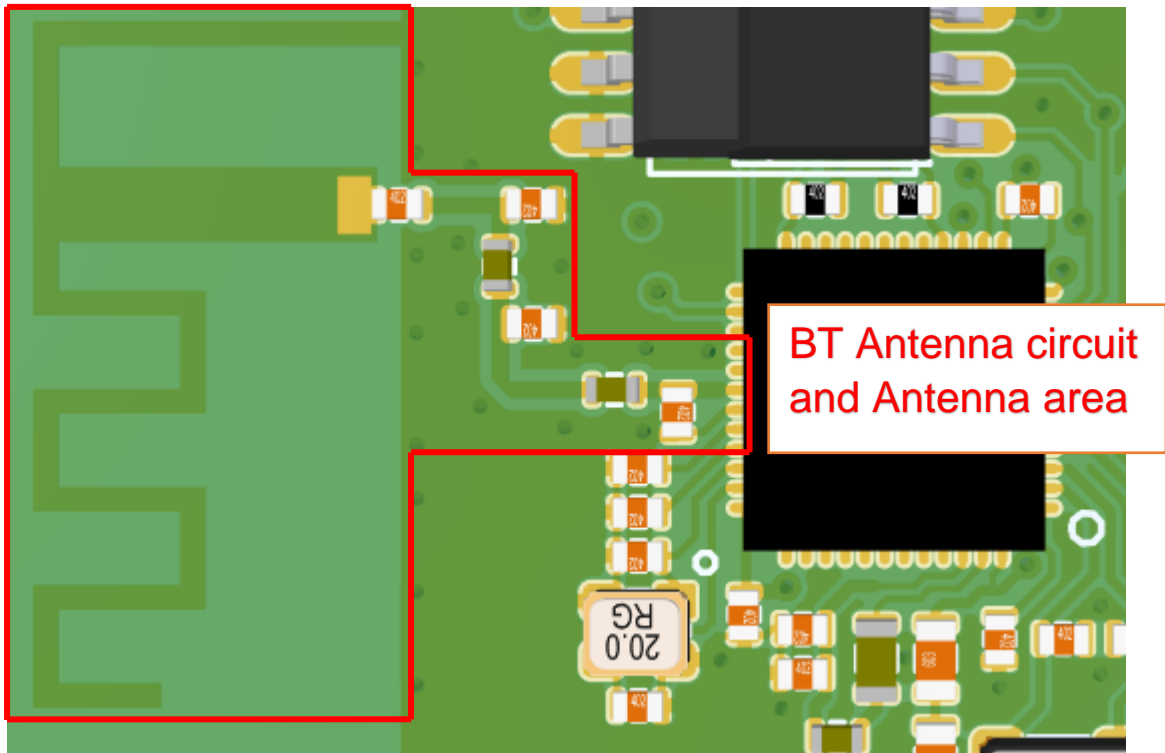


Figure 1 - Bluetooth Antenna



Integrated into the main PCB

Antenna Detail

MiX BTID Remote

