

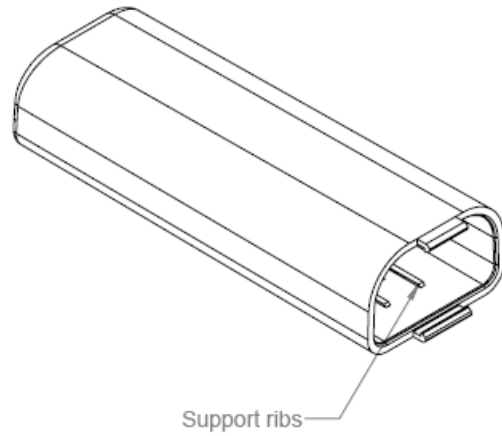
Section 8: ID Label

Tabs Beacon Type 9

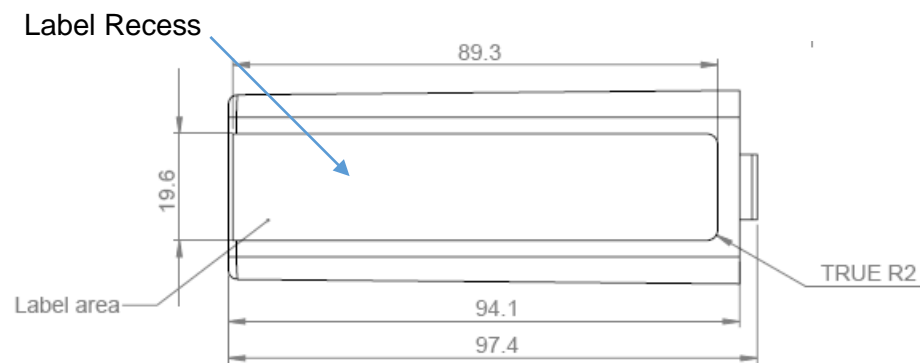
Drawings of enclosure base plate.

Please refer to drawing 440SL0964A for label detail.

External View: (Label recess is on the underside of the case)



Bottom View:



Section 8: ID Label

Tabs Beacon Type 9

