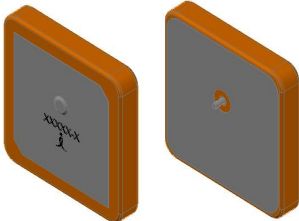


Product Specification

Patch Antenna JLTD1575-1602S25P4AA

Feature

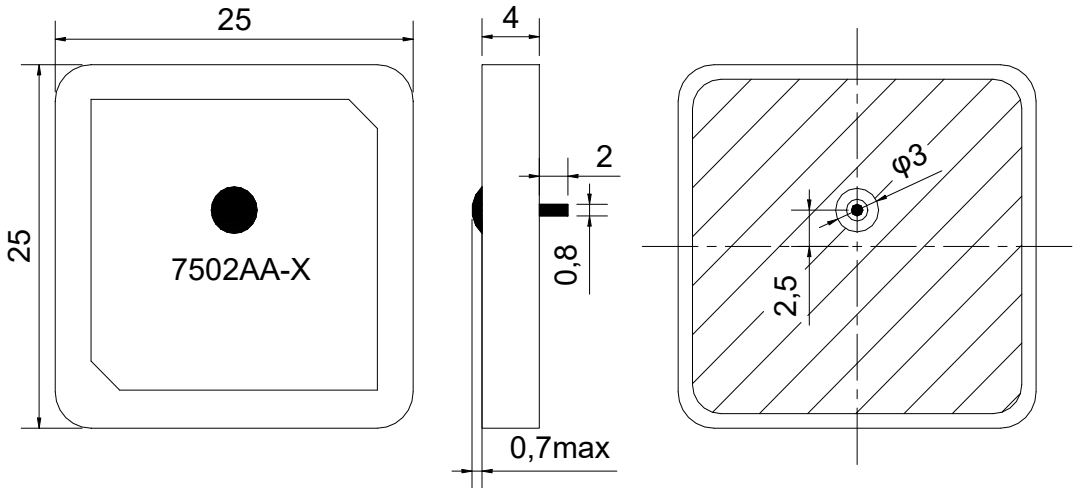
- High gain , Compact
- Pin type
- Customization available



Electrical Specification

Center Frequency	Fc1: 1575.42 MHz	Fc2:1602 MHz
Return Loss @ F0	≥10dB	
Polarization	RHCP	
Gain @ Zenith	2.0 dBi typ.	
Ground plane	50 x50 mm	
Impedance	50 Ω	
Frequency Temperature Coefficient	±20 ppm/°C	
Operation Temperature Range	-40 ~ +85°C	

Mechanical Dawring



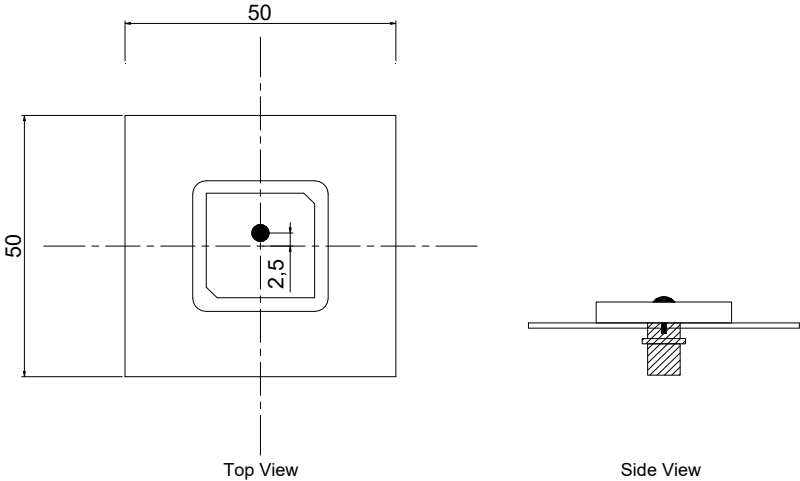
The last "X" is the serial number of month

Tolerance Unless Otherwise Specified:±0.30
Unit: mm

Product Specification

Patch Antenna 
JLTD1575-1602S25P4AA

Test Fixture



Characteristics

