

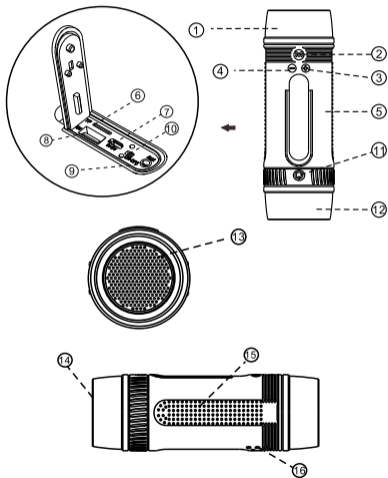
ZEALOT[®]
made possible



**Bluetooth
Headset**

S1
快速入门指南
ZEALOT QUICK START GUIDE

1.Part name



- | | |
|--------------------|---------------------------|
| ① Speaker cover | ⑨ AUX |
| ② Mode button | ⑩ Power button |
| ③ Volume+/Next | ⑪ Flashlight power button |
| ④ Volume-/previous | ⑫ Lampshade |
| ⑤ Silicon case | ⑬ Speaker nets |
| ⑥ TF slot | ⑭ PVC transmittance sheet |
| ⑦ Charge port | ⑮ Skid particles |
| ⑧ 5V/1A output | ⑯ Membrane pores |

2. Product Specifications

Output voltage: 5v / 1A

Transmission distance: 10m

Frequency response: 20Hz-20KHz

Dimensions: 156x51x51mm

Operating voltage: 3.7V

Weight: 260g

Speaker: 4Ω

Output power: 3w

SNR: ≥90dB

Distortion: 1%

LED lamp power: 1W

3.Function introduction:

Product mode switching sequence: Bluetooth→TF card→FM Radio→Audio Plug(TF and AUX mode is defaulted into priority, pull out TF card or audio cable,it will be auto-shift to FM radio mode.

①Bluetooth mode

Push switch to "ON", you will hear a beep"Bluetooth mode, Bluetooth is ready for connection. Then double-click "M" key, you can shift between English and Chinese sound system. There will be "ding-dong" beep after voice model shift sucessfully. Search for Bluetooth devices "S1" click on the link, you can play music from the phone; Under bluetooth mode, if incoming call, short-press "M" button to answer a call, long-press the "M" key to reject , double-click "M "key to call back the last outgoing calls. Short Press ⊖, ⊕ to adjust previous and next; long press to adjust the volume; short press "M" key to pause / play; long press "M" key for mode switching.

②TF card mode

Insert TF, you will hear the beep "TF card mode (music player mode)" , play music from TF card, Short press ⊖, ⊕

to do previous and next shift. Long press ⊕, ⊖ to adjust the volume; short press "M" key to pause / play; long press "M" key for mode switching.

③ Radio mode

Long press "M" key to switch to radio mode, you will hear a beep, "radio mode ", short press "M" for automatic station searching, After searching finished, radio will play the first station searched. short press ⊖, ⊕ to do previous and next shift. Long press ⊕, ⊖ to adjust the volume; short press "M" key to pause / play; long press "M" key for mode switching.

Insert LINE IN may receive better radio effect .

④ AUX (audio) mode

Insert an audio cable, you will hear the beep "LINE IN mode (AUX input mode)" to switch to AUX mode.

⑤ Mobile power bank

Input: must use 1A or above 1A current to charge, indicator light is red when charging; charging is completed when the blue light keep being on.

Output: When the phone needs to be charged, can be inserted into the USB port to charge.

⑥ Lighting

When to open flashlight, The first time to press"Ⓞ" is to open the bright light,the second time is to open general light, the third time is to be quick flash-light mode,the forth time to short press is to close the flashlight.

⑦ Data transmission

Use USB cable to transmit data, when connect into computer, product can be charged, When transmit the data, product should be on and insert TF card to copy the data.

⑧ Low power remind

During use, if the power is low, there will be low voice prompts "low power please charge (Low battey)"

4. Product characteristics

Standby time: \geq 30 days

Waterproof

Dropproof

5.Accessories:

USB cable x1PC

6.Manufacturer information

Manufacturer: Shenzhen fanatics digital technology co., LTD

Address: East Ming Industrial City, Dabao Road No.83, Baoan

District 33 Zone , Shenzhen City

M/N:S1

FCC Caution:

This device complies with part 15 of the FCC Rules. Operation is subject to the following two conditions: (1) This device may not cause harmful interference, and (2) this device must accept any interference received, including interference that may cause undesired operation.

Any Changes or modifications not expressly approved by the party responsible for compliance could void the user's authority to operate the equipment.

Note: This equipment has been tested and found to comply with the limits for a Class B digital device, pursuant to part 15 of the FCC Rules. These limits are designed to provide reasonable protection against harmful interference in a residential installation. This equipment generates uses and can radiate radio frequency energy and, if not installed and used in accordance with the instructions, may cause harmful interference to radio communications. However, there is no guarantee that interference will not occur in a particular installation. If this equipment does cause harmful interference to radio or television reception, which can be determined by turning the equipment off and on, the user is encouraged to try to correct the interference by one or more of the following measures:

- Reorient or relocate the receiving antenna.
- Increase the separation between the equipment and receiver.
- Connect the equipment into an outlet on a circuit different from that to which the receiver is connected.
- Consult the dealer or an experienced radio/TV technician for help.

The device has been evaluated to meet general RF exposure requirement. The device can be used in portable exposure condition without restriction.

␣

Warning:

The device has been evaluated to meet general RF exposure requirement. The device can be used in portable exposure condition without restriction.



本说明书中使用的产品图片仅用于插图目的，真实可有所不同
版权信息本用户手册受国际版权法的保护。