

东莞市金赞智能科技有限公司

DONGGUAN KIMCHEN INDUSTRY INTL LIMITED



DONGGUAN KIMCHEN INDUSTRY INTL LIMITED

SPECIFICATION FOR APPROVAL

CUSTOMER: _____
A02180305069

CUST P/N: _____
J30-000019-001

K C P/N: _____
20.5*41*0.08*105P*10TS*10MM

D E S E : _____
21 February 2024

D A T E : _____
A. 0

VERSION : _____

ACCEPTANCE STAMP

PREPARED BY	MERCHANDISER	ENGINEER CHECKED BY	PRODUCTION CHECKDED BY	APPROVED BY
Yunfan Wang				

Address: No2 Xisha Road Shijie Guangdong 523290 Guangdong China

File No: KC-JZ-09-008

东莞市金赞智能科技有限公司

DONGGUAN KIMCHEN INDUSTRY INTL LIMITED

Specification	CUST P/N	3-122DX01010AA-001
	Des. ,	20. 5*43*0. 08*105P*10TS*20

Version Change History

Reversion	Before Change	DESCRIPTION (Content Or Reason For Change)	Date	Reviser
A. 0	--	Initial Release	21 Feb 2024	Yunfan Wang

PREPARED BY	ENGINEER CHECKED BY	PRODUCTION CHECKED BY
Yunfan Wang	胡志军	王赞

Address: No2 Xisha Road Shijie Guangdong 523290 Guangdong China

FileNo: KC-JZ-09-008

东莞市金赞智能科技有限公司

DONGGUAN KIMCHEN INDUSTRY INTL LIMITED

Specification

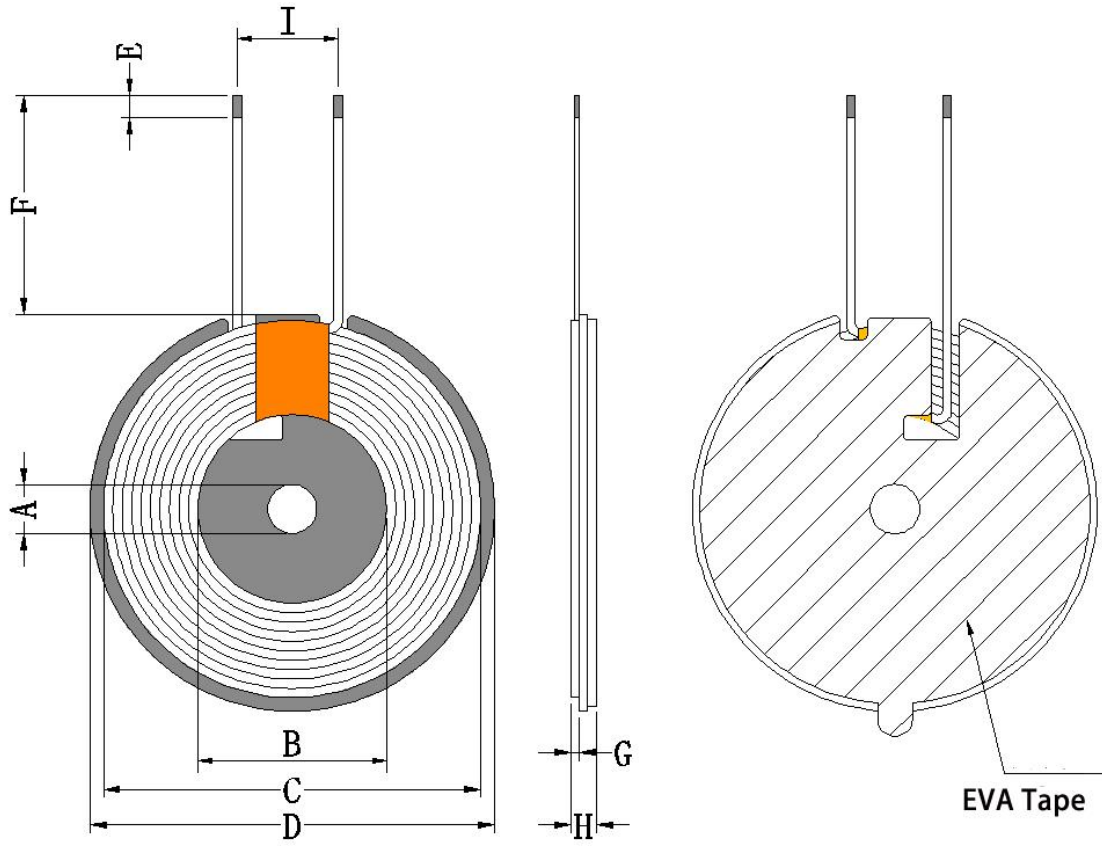
CUST P/N

3-122DX01010AA-001

Des. ,

20.5*43*0.08*105P*10TS*20

1. OVERALL DIMENSIONS OF PRODUCTS):



A	B	C	D	E	F	G	H	I
5.3±0.5	20.5±0.5	41±1	44+0/-1	3±1	10±1	1.25MAX	3.85MAX	10±2

Remark:H is total thickness ,release paper excluded.

Turns	Wire Diameter	Winding Direction	Lead wire Intersect Yes/Not	Coil front/reverse Paste
10	0.08*105 USTC Wire	CCW	YES	reverse Paste

PREPARED BY	ENGINEER CHECKED BY	PRODUCTION CHECKED BY
Yunfan Wang	胡志军	王海波

Address: No2 Xisha Road Shijie Guangdong 523290 Guangdong China

FileNo: KC-JZ-09-008

东莞市金赞智能科技有限公司

DONGGUAN KIMCHEN INDUSTRY INTL LIMITED

Specification	CUST P/N	3-122DX01010AA-001
	Des. ,	20.5*43*0.08*105P*10TS*20

2. ELECTRICAL CHARACTERISTICS :

TEMPERATURE: 25 ± 10°C, RELATIVE HUMIDITY: 65 ± 10%

NO.	ITEM	TERMINAL	VALUE	TEST FREQUENCY	TEST EQUIPMENTS
1	IND	S-F	6.3 uH ± 10%	100 KHZ/V	LCZ METER 1062

3. BILL OF MATERIALS :

NO.	Material name	Description	Material Code
1	Copper Wire	0.08*105 Strand USTC Wire	SBX-2U-F-0011
2	Ferrite Core	G44+0/-1*5.3*0.8H ± 0.1	GCP-T-0084
3	EVA Tape	42*5.3*1.5H	
4	Epoxy Glue	JS-E7202	E7202W
5	Kapton Tape	8mm	JRM
6	Tin rod	Lead-free Tin	TIN

PREPARED BY	ENGINEER CHECKED BY	PRODUCTION CHECKED BY
Yunfan Wang	胡志军	王运凡

Address: No2 Xisha Road Shijie Guangdong 523290 Guangdong China

FileNo: KC-JZ-09-008