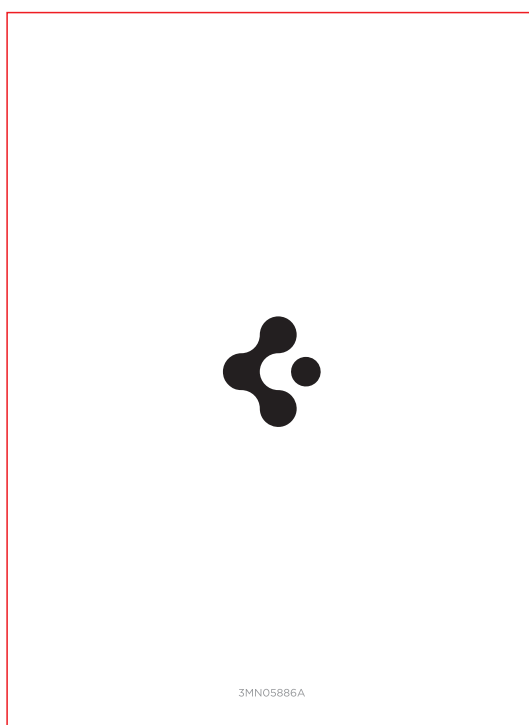
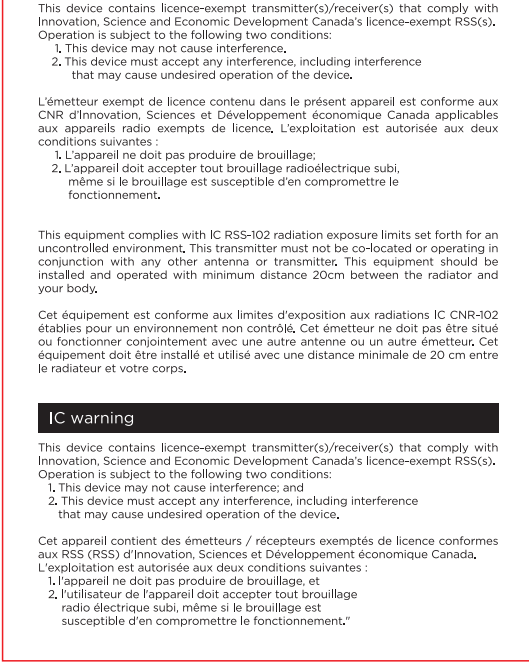
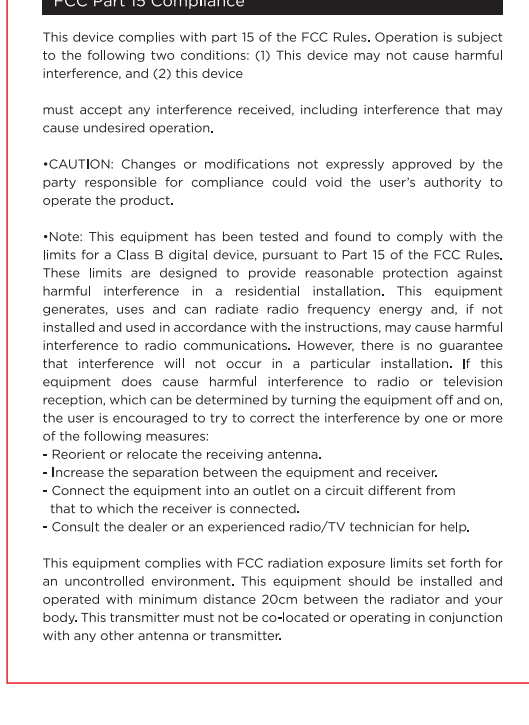
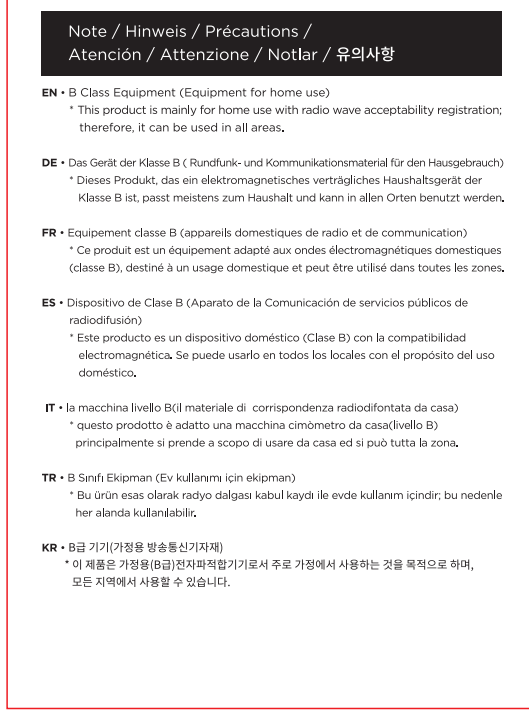
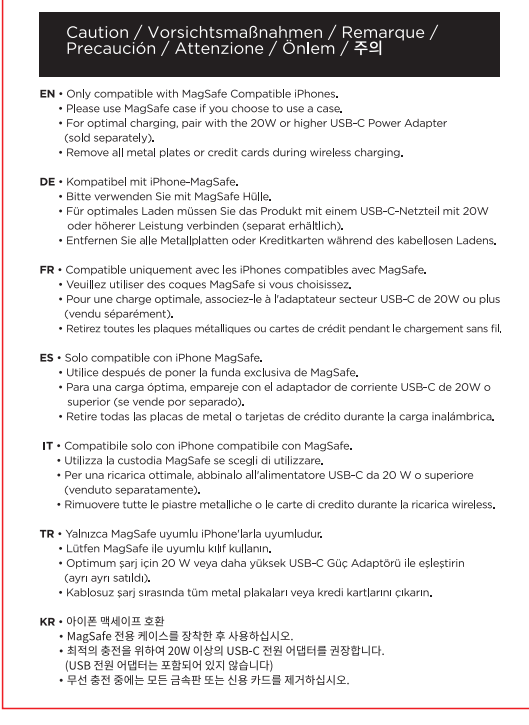
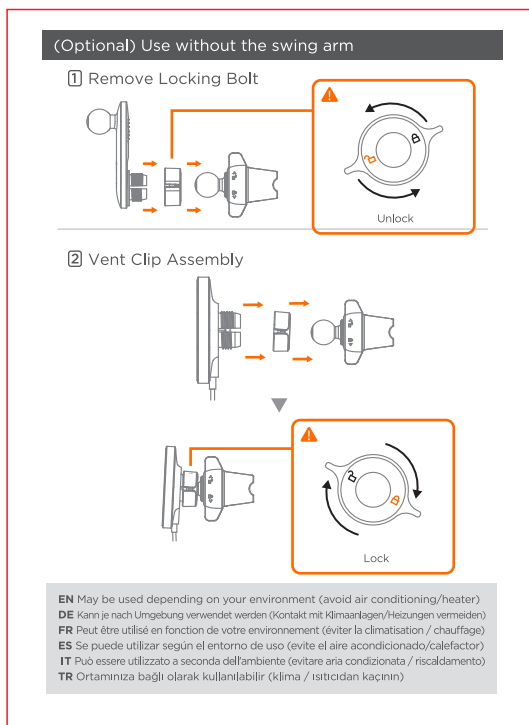
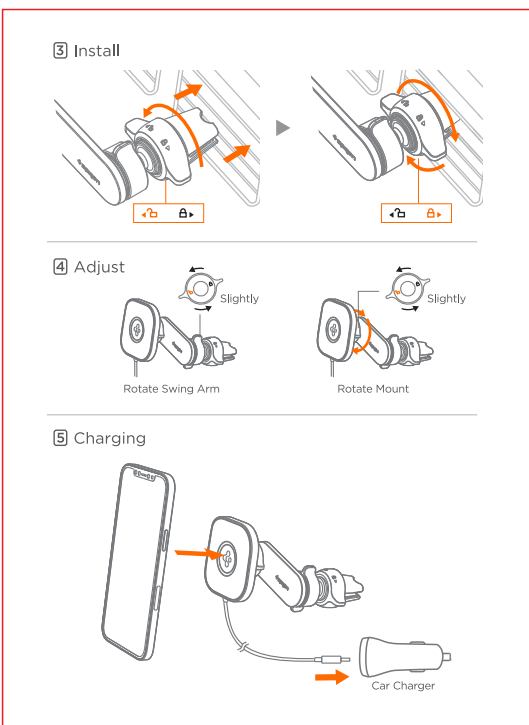
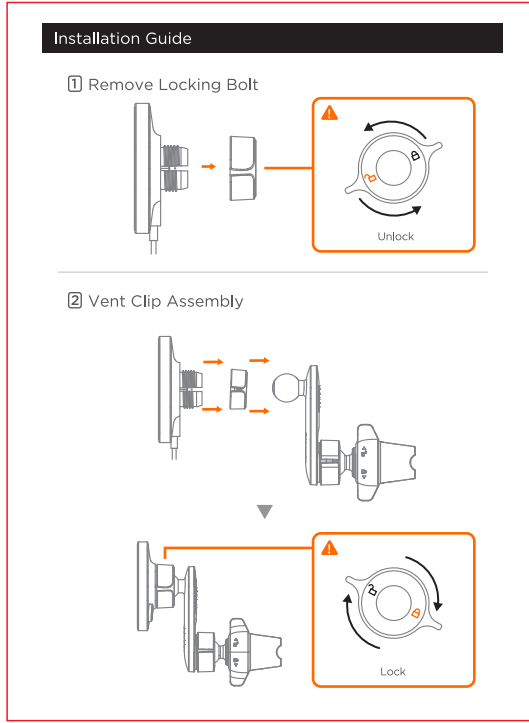
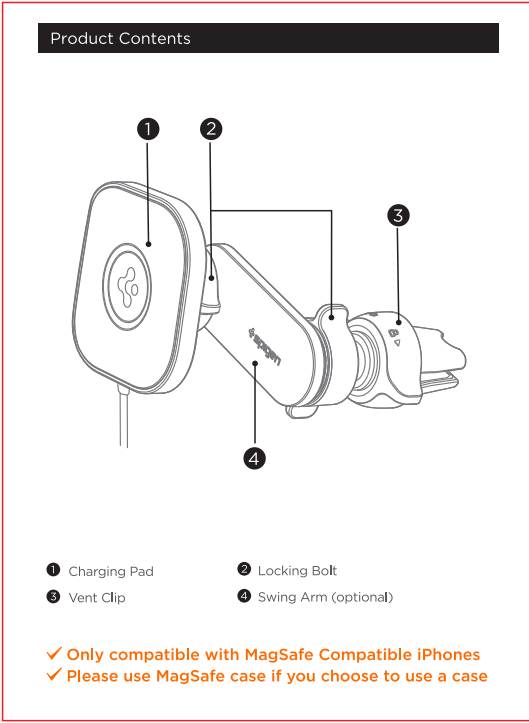


Product Model 产品型号	LC18	Brand 品牌	SA01	Part number 物料编号	3-608LC182002B0001
Product Type 产品类	出风口支架说明书	Description 描述	ITS12W	Job No. 图档编码	QH-SMS-21011 V1.1 (LC18-SA01)
Dimension 尺寸	70*95mm	Original Designer 原设计师		Date 日期	2021.05.10
Scale 比例	1:1	Technology 工艺	105g铜版纸+专色+ 双面四色印刷+骑马钉	Verifying 审核	
Revision 版本号	1.1	Change description 版本变更描述	2021.05.10变更丝印内容		



3MN058860	#MN iPh12/ Wi.CarCharger ITS12W	칼선/접선 (Cutting/folding Line)	— Cutting Line (자르는 선) - - - Folding Line (접는 선)	작업자 의견 (Designer Comment)
Ver.	0 -	작업일 (Date)	21. 3. 8	작업자 (Designer)
Skü		자재 사이즈 (Size)	70x95mm	H.I.
		지류 (Material)	Art 120	후가공 (Process)

