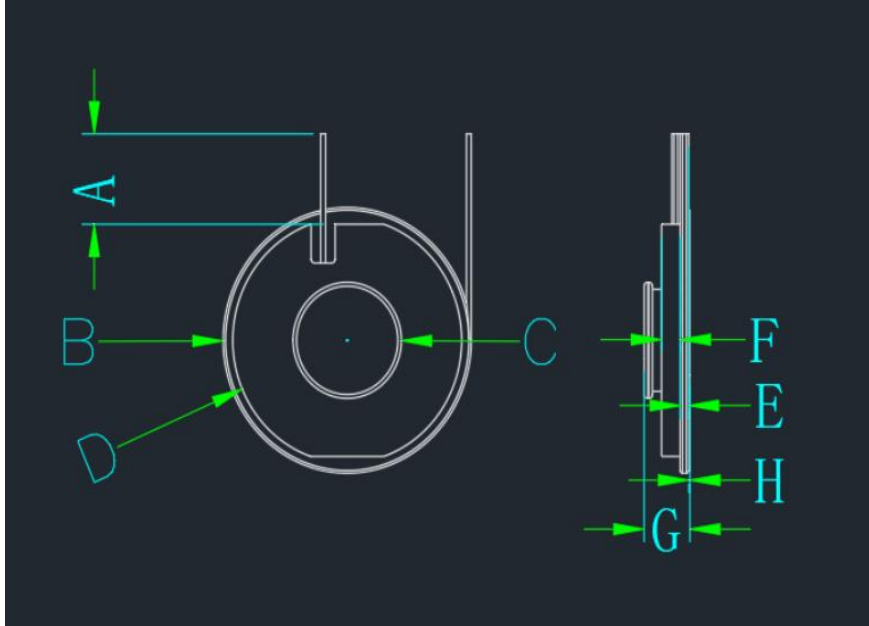


## Coil specification

產品型號: DESC	C223	版本 Rev: A.0	客戶 CUST: 客戶料号 CUST P/N:	
---------------	------	----------------	----------------------------	--

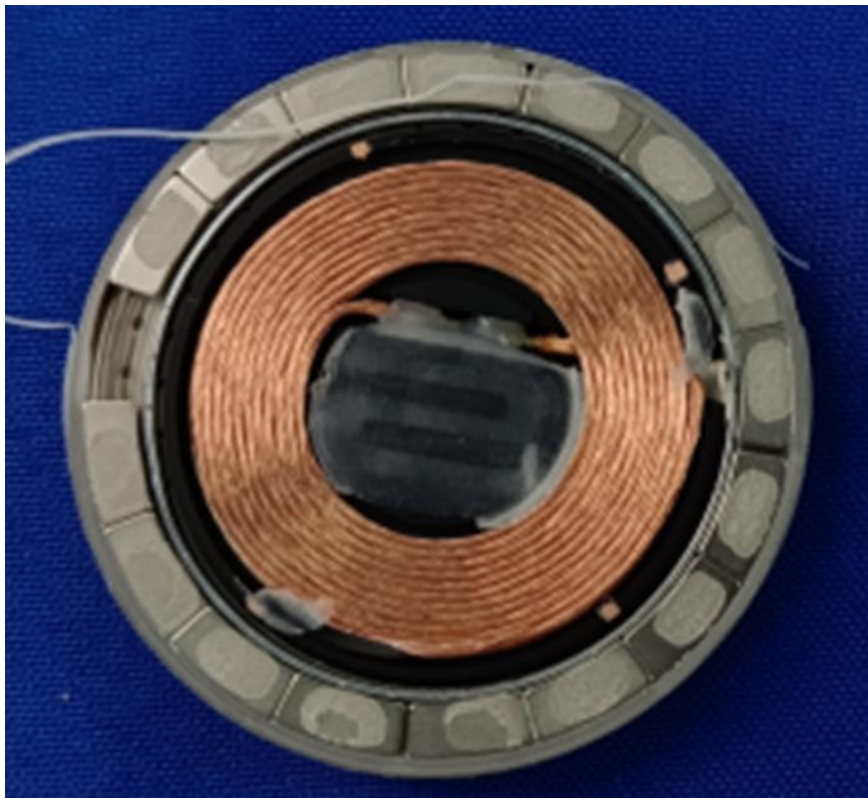
## 一、尺寸 DIMENSION:(mm)



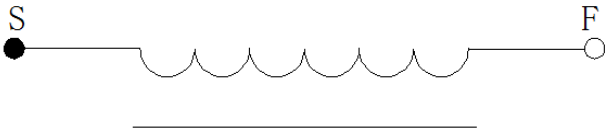
A	20±1.0
B	49±1.0
C	20±1.0
D	44±1.0
E	1±0.1
F	1±0.1
G	2.5±0.1

Note:

1. Cross out cables;
2. Coil stick round hard magnetic sheet with slot, magnetic sheet size  $0\pm 1\text{mm}$ , bore 5.3mm, the thickness is  $1\pm 0.1\text{mm}$
3. aggregate thickness 2.5MM



## 二、原理图 SCHEMATIC DIAGRAM:



## 三、绕线参数 Winding Specification:

序号 NO.	端子 TERMINAL		线径 WIRE	圈数 Turns	绕线方向 Winding Direction
1	S	F	丝包线 0.08*70P	11Ts	CCW

## 四、电气特性 ELECTRICAL CHARACTERISTICS:

温度 TEMPERATURE:25±10°C, 湿度 RELATIVE HUMIDITY:65±20%

序号 NO.	项目 ITEM	端子 TERMINAL	标准 SPECIFICATION	测试条件 TEST FREQUENCY	测试仪器 TEST EQUIPMENTS
1	IND.	S-F	4.6uH ±20%单独线圈	100KHz/1.0V	LCZ METER 1062B
2	IND.	S-F	8.3uH ±10%加磁片	100KHz/1.0V	LCZ METER 1062B
3	DCR	S-F	≤105mΩ	100KHz/1.0V	LCZ METER 502B
4	Q	S-F	≤45	100KHz/1.0V	LCZ METER 502B

Manufacturer : DONGGUAN KIMCHEN INDUSTRY INTL LIMITED

Address : No67, Baihua Road, Chongkou, Shijie Town, Dongguan City 523290  
Guangdong Province China