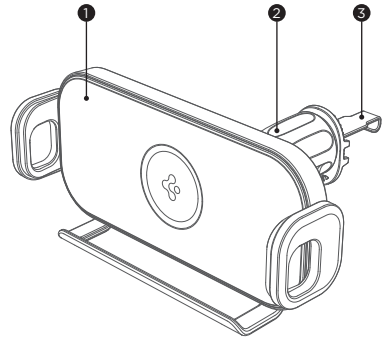


Spigen OneTap SmartLock Noiseless Wireless Car Charger for Galaxy Z Fold (Vent Clip)

User Manual

GTS12W

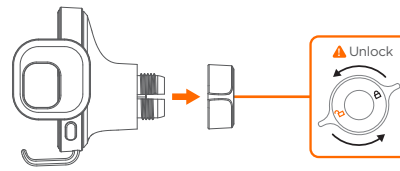
Product Contents



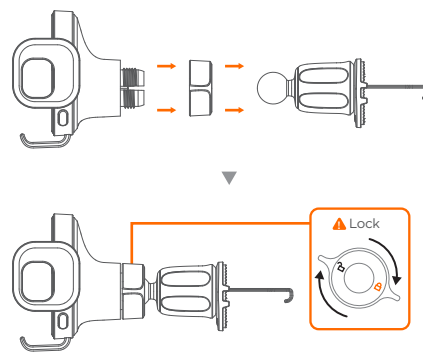
- 1 Car Mount
- 2 Locking Bolt
- 3 Vent Clip

Installation Guide

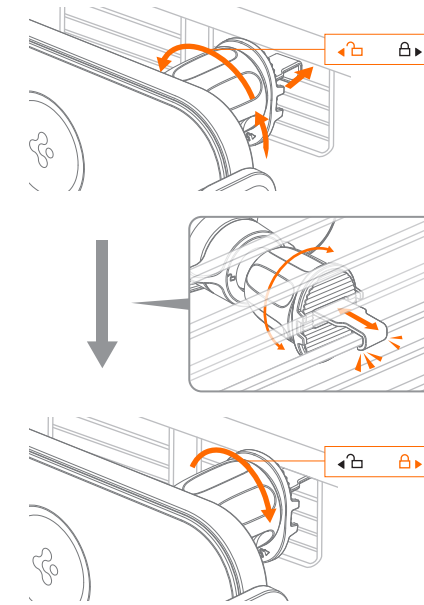
1 Remove Locking Bolt



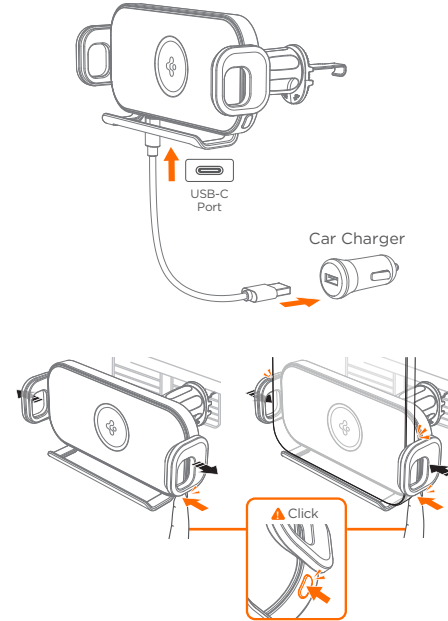
2 Vent Clip Assembly



3 Install



4 Charging



Caution / Vorsichtsmaßnahmen / Remarque / Precaución / Attenzione / Önem / 주의

- EN** • Vent Clip can only be installed on air event blades less than 4.5mm (0.18in) thick.
 - * When installing Vent Clip, only 7.5mm (0.3in) apart from vehicle vent blade can be installed.
- DE** • Der Vent Clip kann nur an Lüftungsblenden mit einer Dicke von weniger als 4,5 mm installiert werden.
 - Bei der Installation des Entlüftungsclips kann nur ein Abstand von 7,5 mm zum Fahrzeugentlüftungsblatt eingehalten werden.
- FR** • Le Vent Clip ne peut être installé que sur des lames d'aération d'une épaisseur inférieure à 4,5 mm.
 - Lors de l'installation du Vent Clip, la distance entre la lame d'évent du véhicule et le clip ne peut être que de 7,5 mm.
- ES** • El clip de ventilación solo se puede instalar en aspas ventilación de aire hasta 4.5 mm de grosor.
 - Recomendado para usar con la longitud de la hoja de ventilación de aire por debajo de 7,5 mm.
- IT** • Vent Clip può essere installato solo su pale di ventilazione di spessore inferiore a 4,5 mm.
 - Quando si installa il Vent Clip, è possibile installare solo 7,5 mm di distanza dalla lama di ventilazione del veicolo.
- TR** • Havalandırma Klipsi yalnızca 4,5 mm'den daha ince hava olayı kanatlarına takılabilir.
 - Havalandırma Klipsini takarken, araç havalandırma kanadından sadece 7,5 mm uzağa takılabilir.
- KR** • Vent Clip 장착 시 두께 4.5mm 이하의 에어벤트 날에만 장착 가능합니다.
 - Vent Clip 장착 시 차량 에어벤트 날 사이의 간격이 7.5mm 이상만 장착 가능합니다.

Note / Hinweis / Précautions / Atención / Attenzione / Notlar / 유의사항

- EN** • B Class Equipment (Equipment for home use)
 - * This product is mainly for home use with radio wave acceptability registration; therefore, it can be used in all areas.
- DE** • Das Gerät der Klasse B (Rundfunk- und Kommunikationsmaterial für den Hausgebrauch)
 - * Dieses Produkt, das ein elektromagnetisches verträgliches Haushaltsgerät der Klasse B ist, passt meistens zum Haushalt und kann in allen Orten benutzt werden.
- FR** • Equipement classe B (appareils domestiques de radio et de communication)
 - * Ce produit est un équipement adapté aux ondes électromagnétiques domestiques (classe B), destiné à un usage domestique et peut être utilisé dans toutes les zones.
- ES** • Dispositivo de Clase B (Aparato de la Comunicación de servicios públicos de radiodifusión)
 - * Este producto es un dispositivo doméstico (Clase B) con la compatibilidad electromagnética. Se puede usarlo en todos los locales con el propósito del uso doméstico.
- IT** • la macchina livello B(il materiale di corrispondenza radiodifonata da casa)
 - * questo prodotto è adatto una macchina dimetro da casa(livello B) principalmente si prende a scopo di usare da casa ed si può tutta la zona.
- TR** • B Sınıfı Ekipman (Ev kullanımı için ekipman)
 - * Bu ürün esas olarak radyo dalgası kabul kaydı ile evde kullanılm içindir; bu nedenle her alanda kullanılabilir.
- KR** • B급 기기(가정용 방송통신기자재)
 - * 이 제품은 가정용(방송)전자파허용기기로서 주로 가정에서 사용하는 것을 목적으로 하며, 모든 지역에서 사용할 수 있습니다.

Specifications / Spezifikationen / Caractéristiques / Especificaciones/ Specifica / Özellikler / 제품 사양

Model Model Modèle Modelo Modello Modeli 모델	GTS12W
Input Eingang Entrée Entrada Ingresso Giriş 입력	DC 5.0V~3.0A, 9.0V~2.0A, 12.0V~1.5A
Output Ausgang Sortie Salida Uscita Çıkış 출력	5.0W, 7.5W, 10.0W, 15.0W
Dimensions Größe Dimensions Tamaño Dimensioni Boyutlar 치수	154.50 x 73.61 x 127.27mm / 6.08 x 2.90 x 5.01in
Weight Gewicht Poids Peso Peso Ağırlık 무게	180.20g / 6.35oz

FCC Statement

This device complies with Part 15 of the FCC Rules. Operation is subject to the following two conditions: (1) This device may not cause harmful interference, and (2) this device must accept any interference received, including interference that may cause undesired operation.

Note: This equipment has been tested and found to comply with the limits for a Class B digital device, pursuant to Part 15 of the FCC Rules. These limits are designed to provide reasonable protection against harmful interference in a residential installation.

This equipment generates, uses, and can radiate radio frequency energy and, if not installed and used in accordance with the instructions, may cause harmful interference to radio communications. However, there is no guarantee that interference will not occur in a particular installation.

If this equipment does cause harmful interference to radio or television reception, which can be determined by turning the equipment off and on, the user is encouraged to try to correct the interference by one or more of the following measures:
(1) Reorient or relocate the receiving antenna.
(2) Increase the separation between the equipment and receiver.
(3) Connect the equipment into an outlet on a circuit different from that to which the receiver is connected.
(4) Consult the dealer or an experienced radio / TV technician for help.

CAUTION: Changes or modifications not expressly approved by the party responsible for compliance could void the user's authority to operate the equipment.

FCC Radiation Exposure Statement

This equipment complies with FCC radiation exposure limits set forth for an uncontrolled environment. This equipment should be installed and operated with minimum distance 20cm between the radiator and your body. This transmitter must not be co-located or operating in conjunction with any other antenna or transmitter.

The following information is the responsible party (for FCC matters only).

Spigen Inc. 9975 Toledo Way #100, Irvine, CA 92618 USA
E-mail : spigen.support@spigen.com

IC Statement

This digital apparatus complies with CAN ICES-003(B)/NMB-003(B). This device complies with Industry Canada license ICES-003.

Operation is subject to the following two conditions:

- (1) This device may not cause interference.
- (2) This device must accept any interference, including interference that may cause undesired operation of the device.

Cet appareil numérique est conforme à la norme CAN ICES-003(B)/NMB-003(B)

Le présent appareil est conforme aux CNR d'Industrie Canada applicables aux appareils radio exempts de licence. L'exploitation est autorisée aux deux conditions suivantes :

- (1) L'appareil ne doit pas produire de brouillage, et
- (2) l'utilisateur de l'appareil doit accepter tout brouillage radioélectrique subi, même si le brouillage est susceptible d'en compromettre le fonctionnement.

IC Radiation Exposure Statement

CAN RSS-216 / CNR-216

This equipment complies with IC RSS-102 radiation exposure limits set forth for an uncontrolled environment. This transmitter must not be co-located or operating in conjunction with any other antenna or transmitter. This equipment should be installed and operated with minimum distance 20cm between the radiator and your body.

CAN RSS-216 / CNR-216

Cet équipement est conforme aux limites d'exposition aux radiations IC CNR-102 établies pour un environnement non contrôlé. Cet émetteur ne doit pas être situé ou fonctionner conjointement avec une autre antenne ou un autre émetteur. Cet équipement doit être installé et utilisé avec une distance minimale de 20 cm entre le radiateur et votre corps.

US and Canada Customers Only
Distributed by Spigen, Inc. in Irvine, CA 92618, USA

Manufacturer : Spigen Korea Co., Ltd.

3MN085530