

尺寸：70X100mm 3折页 100G铜版纸正反印刷

使用说明书

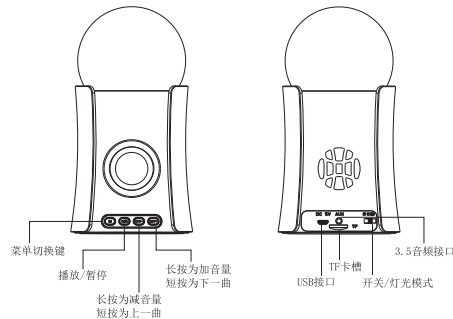


离子球蓝牙音响
957

产品特点：

- 蓝牙版本：2.1 + EDR
- 兼容所有的带蓝牙功能的音频设备，如MP3/4，手机，电脑，ipad等。
- 标准USB DC5V供电
- 外观时尚，简单，使用方便，适合于家庭和办公室。
- 魔幻灯光三种模式切换

按键及接口：



操作手册：

- 1, 打开
插入USB电缆USB端口，并推动开关“开”，自动进入蓝牙模式。
- 2, 配对
在您的手机或其他设备打开蓝牙搜索“HZ-957”，配对此设备。
- 3, 灯光模式 (OFF/ON/M)
3种模式切换：
OFF/ON/M —OFF：关闭灯光，
OFF/ON/M — ON：灯光随着音乐的节奏变幻，
OFF/ON/M — M：打开灯光并长亮。
- 4, 音乐控制
V+：短按为下一曲，长按为加音量
V-：短按为上一曲，长按为减音量

备注：Line in模式下，上一曲、下一曲功能无效
Line in模式下，请使用正确接地的电源设备（如笔记本、电脑、接地插座...）否则可能会出现部分连接的触屏功能失灵。

包装附件：

1. 离子球蓝牙音响一个
2. 3.5mm音频数据线一条
3. USB线一条
4. 说明书一本

User manual

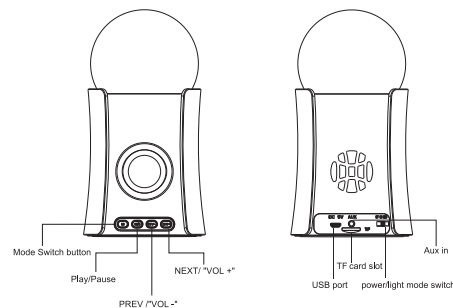


Magic Plasma Wireless BT Speaker
957

Product Features:

- Bluetooth version: 2.1+EDR
- Compatible with all audio device : MP3/4, mobile phone, computer, ipad ...
- Standard USB DC 5v power supply.
- Plug and use,very easy to operate.
- Magic plasma light with 3 mode switchable

Button Description



Operation manual:

- 1, Turn on
Plug the usb cable to USB port, and push the switch to "on", the device enter into bluetooth mode automatically.
 - 2,Pairing
Open the bluetooth on your mobile phone or other device, and search "HZ-957",pair the device.
 - 3, Plasma Mode (OFF/ON/M)
3 mode switchable:
OFF/ON/M —OFF: turn off the light;
OFF/ON/M — ON: light on and changes with the music rhythm;
OFF/ON/M — M: turn on the light and keeps on
 - 4, Music control
V+ : short press to next sound; long-press for increasing volume
V- : short press to prev sound; long-press for decreasing volume
- Remark: Line in mode, NEXT and PREV function are invalid .
Line in mode,please connect to a properly grounded power supply (like laptop, PC, grounding receptacle...)
Otherwise the touch function failure may appears on some audio device .

Packing Accessories:

- 1 magic light BT speaker
- 1x3.5mm audio cable
- 1x USB cable
- 1x User manual

This device complies with Part 15 of the FCC Rules. Operation is subject to the following two conditions: (1) this device may not cause harmful interference, and (2) this device must accept any interference received, including interference that may cause undesired operation.

Changes or modifications not expressly approved by the party responsible for compliance could void the user's authority to operate the equipment.

NOTE: This equipment has been tested and found to comply with the limits for a Class B digital device, pursuant to Part 15 of the FCC Rules. These limits are designed to provide reasonable protection against harmful interference in a residential installation. This equipment generates, uses instructions, may cause harmful interference to radio communications. However, there is no guarantee that interference will not occur in a particular installation. If this equipment does cause harmful interference to radio or television reception, which can be determined by turning the equipment off and on, the user is encouraged to try to correct the interference by one or more of the following measures:

- Reorient or relocate the receiving antenna.
- Increase the separation between the equipment and receiver.
- Connect the equipment into an outlet on a circuit different from that to which the receiver is connected.
- Consult the dealer or an experienced radio/TV technician for help.