

后板CARB贴纸

size: 40.5 x 40.6

FABRICATOR ID: 180904000
 FABRICANT ID:
 PRODUCTION DATE: 01/2019
 DATE DE PRODUCTION:
 California 93120 Phase 2.
 Compliant for Formaldehyde.
 Californie 93120 Phase 2. Conforme
 à la norme pour le formaldéhyde.
 Made in China / Fabriqué en Chine
 ©2019 Innovative Technology
 1 Channel Drive
 Port Washington, NY 11050
 www.victrola.com
MANUFACTURED: 012019

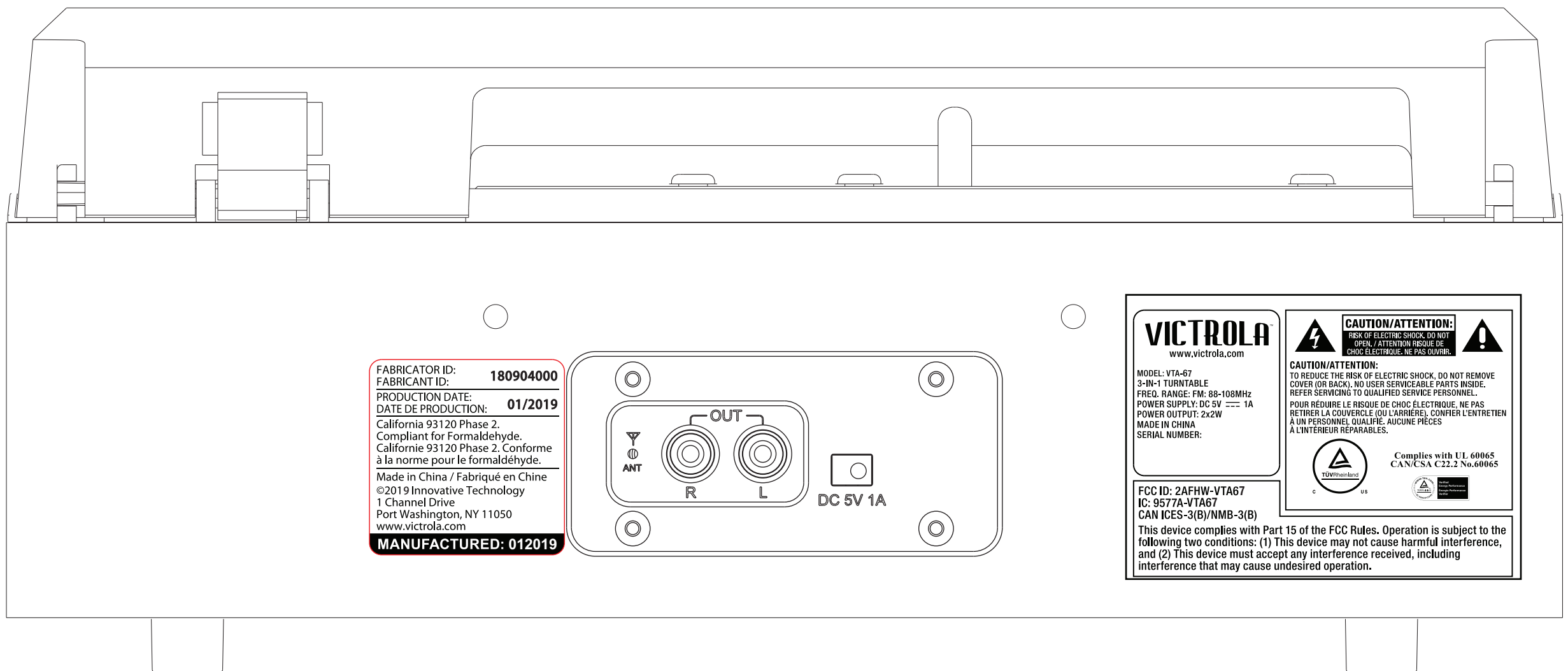
一式二份，表面过光胶，采购部采购
 (贴于主机后板，彩包)
 另外一式一份，不过光胶，贴于外包


后板铭牌

尺寸: 82*59MM

VICTROLA www.victrola.com MODEL: VTA-67 3-IN-1 TURNTABLE FREQ. RANGE: FM: 88-108MHz POWER SUPPLY: DC 5V --- 1A POWER OUTPUT: 2x2W MADE IN CHINA SERIAL NUMBER:	CAUTION/ATTENTION: RISK OF ELECTRIC SHOCK. DO NOT OPEN. / ATTENTION RISQUE DE CHOC ELECTRIQUE. NE PAS OUVRIR.
	CAUTION/ATTENTION: TO REDUCE THE RISK OF ELECTRIC SHOCK, DO NOT REMOVE COVER (OR BACK). NO USER SERVICEABLE PARTS INSIDE. REFER SERVICING TO QUALIFIED SERVICE PERSONNEL. POUR RÉDUIRE LE RISQUE DE CHOC ELECTRIQUE, NE PAS RETIRER LA COUVERCLE (OU L'ARRIERE). CONFIER L'ENTRETIEN A UN PERSONNEL QUALIFIE. AUCUNE PIECES A L'INTERIEUR REPARABLES.
FCC ID: 2AFHW-VTA67 IC: 9577A-VTA67 CAN ICES-3(B)/NMB-3(B)	Complies with UL 60065 CAN/CSA C22.2 No.60065
This device complies with Part 15 of the FCC Rules. Operation is subject to the following two conditions: (1) This device may not cause harmful interference, and (2) This device must accept any interference received, including interference that may cause undesired operation.	

白底黑字，一式一份，
 表面过光胶，采购部采购。



 DONGGUAN ALLLIKE 奥莱克音响	机型: tt-39	编号:	版本: A
	设计: 钟彩锋	审核:	日期: 18-12-13
			批准: