

PREPARATION FOR USE

UNPACKING AND SET UP

Carefully remove the unit from the display carton and remove all packing material from the unit.

Unwind the AC power cord and extend it to its full length.

Place the unit on a stable level surface, which is convenient to an AC outlet out of a strong magnetic field.

Raise the lid to expose the phonograph. The phonograph has been secured for shipment with a transit screw. Use a coin or screwdriver to turn the transit screw clockwise. This will allow the turntable to "float"

Remove the opaque white plastic stylus cover from the phonograph stylus by sliding it in the direction of the arrow.

During this operation pay attention to the stylus, because the stylus damage is not covered by guarantee.

Remove the twist-tie that was used to secure the tone arm during shipment.

Release the tone arm lock lever.

Connect the plug to your AC 100-240V~50-60Hz outlet

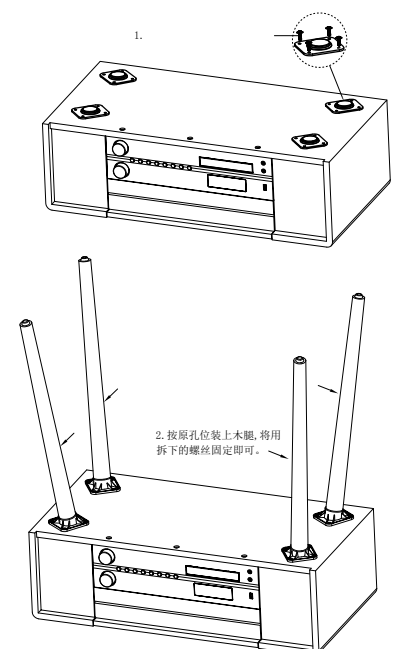
Unit Leg or Feet Assembly

1. Take out the unit and the legs, put them on a smooth surface.
2. Loosen the screws under the unit.
3. Insert the wooden leg into the hole and fix it with the screws well.
4. Repeat to fix all of the 4pcs legs.

OR

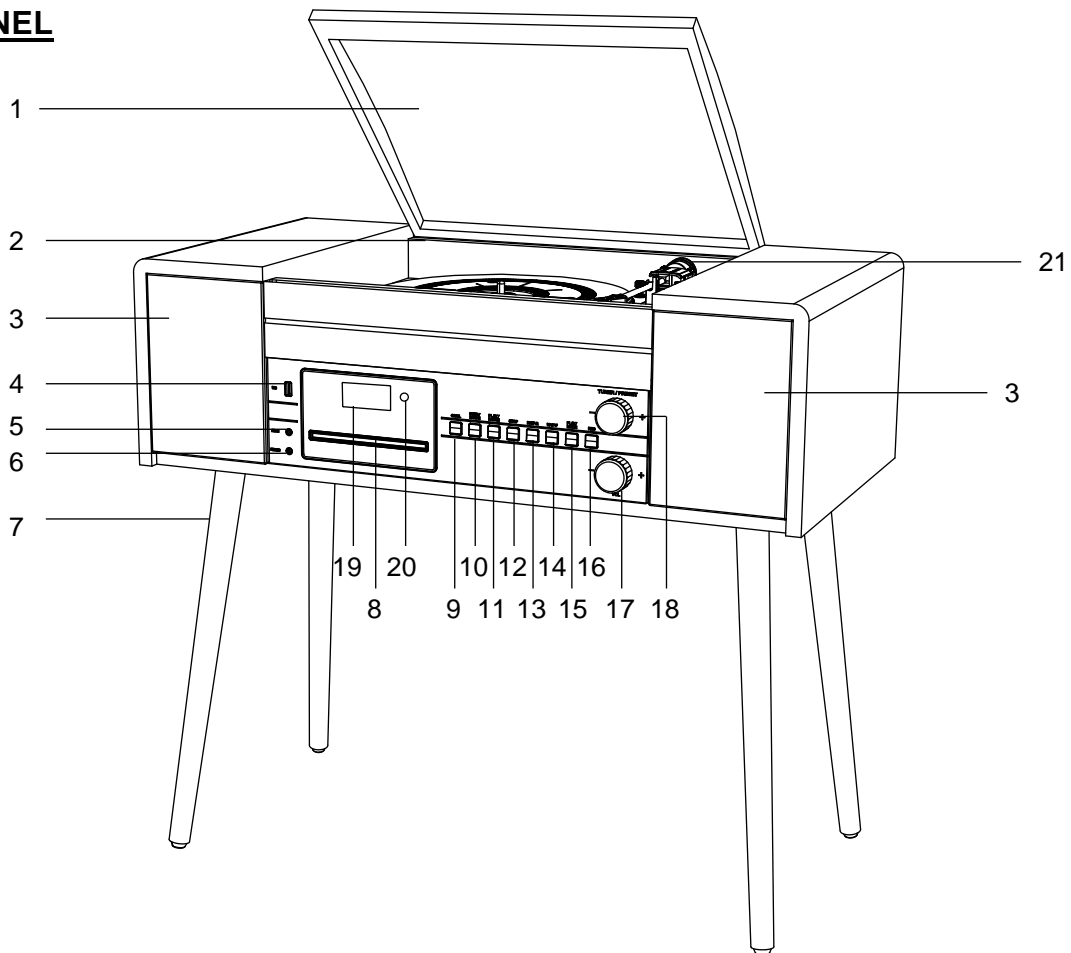
If you want to place the unit on a shelf:

1. Remove the leg fixings from the bottom side and use instead the short feet.
2. Repeat to fix all of the 4pcs feet.



LOCATIONS OF CONTROLS

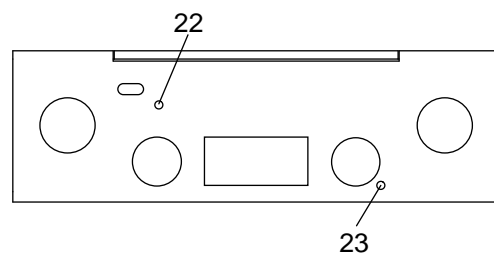
FRONT PANEL



- | | |
|--------------------------------------|---|
| 1. Phonograph Lid | 12. Stop Button |
| 2. Phonograph Lid Support Bracket | 13. DN F-R Button |
| 3. Speakers | 14. UP F-F Button |
| 4. USB Socket | 15. Play / Mode Button |
| 5. 3.5mm Phones Socket | 16. Record Button |
| 6. 3.5mm Aux in Socket | 17. Rotary Volume Control (+/-) UP & down |
| 7. Unit leg | 18. Rotary TUNER/PRESET Control UP & down |
| 8. CD Door | 19. LCD display |
| 9. CD Door OP/CL-Open / Close Button | 20. Sensor |
| 10. MODE/STANDBY Button | 21. Phonograph |
| 11. Play / Pause Button | |

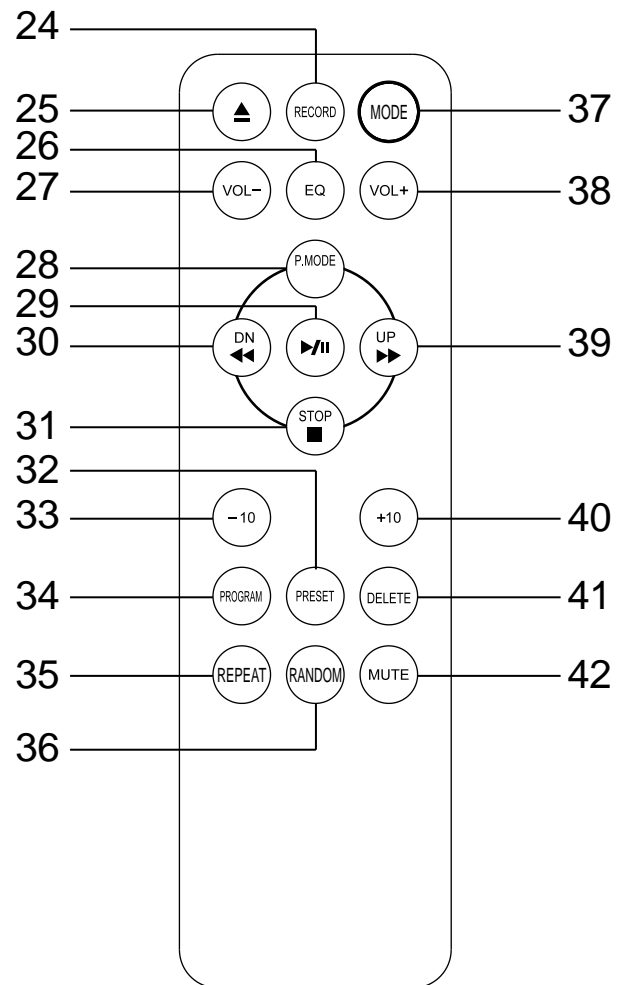
Back Panel

22. 75ohm FM Antenna Socket
 23. AC Power Cord



REMOTE CONTROL

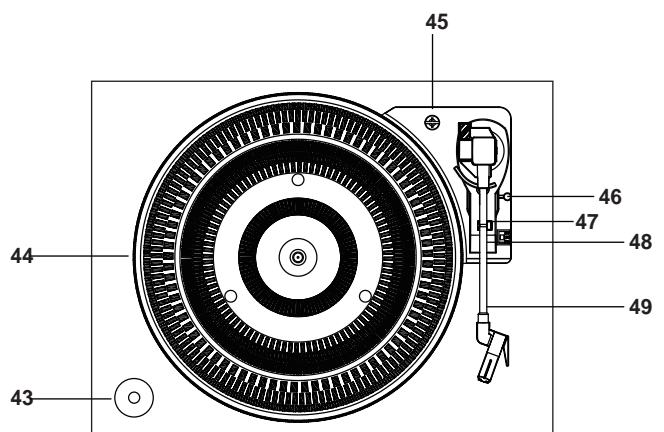
- 24. RECORD
- 25. ▲ Open Close
- 26. EQ Sound settings
- 27. VOL –
- 28. P.MODE / MENU
- 29. Play/Pause ►||
- 30. DN ◀◀ - Track backwards
- 31. ■ STOP
- 32. PRESET
- 33. - 10
- 34. INFO Information
- 35. REPEAT
- 36. RANDOM
- 37. MODE
- 38. VOL +
- 39. UP ▶▶ - Track forwards
- 40. + 10
- 41. DELETE
- 42. MUTE



NOTE: All of the buttons on the remote control have same function as these buttons in the unit.

TURNTABLE

- 43. Single 45 RPM Adaptor
- 44. Turntable Platter
- 45. Transit Screw
- 46. Cue Lever
- 47. Tone Arm Lock
- 48. Speed Selector (33&45 rpm)
- 49. Tone Arm with Stylus



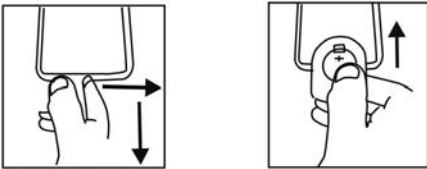
GETTING STARTED

POWER SOURCE

This system is designed to operate on normal 100-240V~ 50-60Hz AC only. Attempting to operate from any other power source may cause damage to the system, and such damage is not covered by your warranty.

NOTE: If this plug will not fit into your outlet you probably have an outdated non-polarized AC outlet. You should have your outlet changed by a qualified licensed electrician.

BATTERY INSTALLATION OF REMOTE CONTROL



The infrared remote control requires 1 pc CR -2025 (3V) Lithium Battery size battery for operation.

BASIC OPERATIONS

Power ON / OFF

Press“MODE/STANDBY” button to enter the working mode.

Press and hold“ MODE/STANDBY ”button to turn off the unit in standby mode.

Adjusting Volume

Rotary the ‘VOL -/+’ knob to decrease / increase the volume.

Total 30 level volume and it displays Vol min to Vol max

ERP power management

If nobody presses and holds the MODE/STANDBY button to turn OFF the unit after stopping playing, the unit will power off automatically after around 10 minutes.

Press“MODE/STANDBY” on the front to wake the device up from standby mode.

FM RADIO OPERATION

ANTENA

For FM reception there is a 75ohm FM antenna socket (22) and insert the antenna into the socket, move around to obtain the best reception signal.

OPERATION

1. Switch ON the MODE/STANDBY BUTTON (10). The Display (19) will light up.
2. Press sequentially the MODE/STANDBY BUTTON (9) to select the FM Radio.

MANUAL TUNING

Tune to the desired radio station by turning the TUNER/PRESET KNOB (17).

AUTOMATIC TUNING

1. During FM working mode, press PLAY/PAUSE button on the unit or the remote will auto-scan all of FM stations and will save automatically.
2. Press and hold UP F.F or DN F.R button for 2 seconds on the unit or the remote start auto scan mode, if stereo FM station received, 'Stereo' will show on the LCD and will stop auto scan but enter into the playing mode.
3. Move around the FM antenna(22) to get the best reception.

PRESET MEMORY FM

1. When selected the desired station, press and hold the PRESET BUTTON for 2 seconds.
2. The display show "MEMORY P01", press UP F.F or DN F.R button to select the desired preset FM station, then press the TUNER/PRESET(18) or PRESET(32) to store the station.
3. Repeat above step 1 and step 2 to save total 10 stations.
4. To play the preset stations, press UP F.F or DN F.R button or presse PRESET on the remote.

PHONES FUNCTION

1. During playing mode, insert the earphone (not include) into the phones jack(5) .
2. The built-in speakers will be disconnected when the earphone are plugged in.
3. Lower the volume during listening by the earphone to avoid damage your ears.

AUX IN FUNCTION

1. Press MODE/STANDBY(10) button to choose AUX mode.
2. Insert the 3.5mm Aux in cable (not include) into the AUX jack(6), connect the other end of the cable to your device (like your mobile phone, MP3 play, etc).
3. Adjust the volume using the Volume control knob (17) and play your device as normal.

MUTE / EQ OPERATION

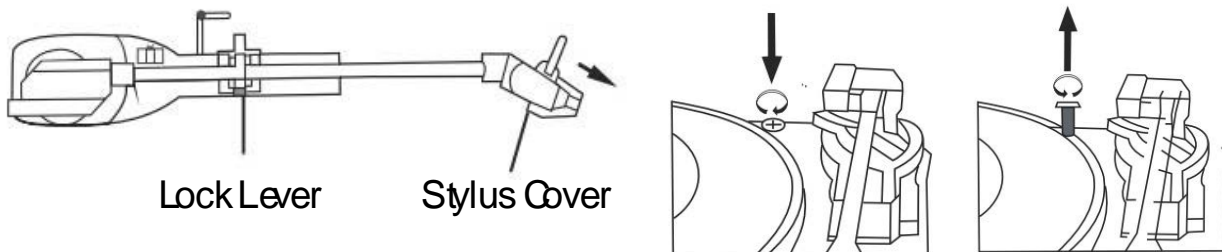
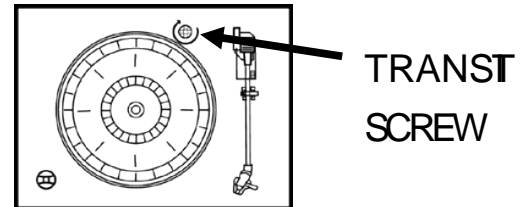
During playing mode, press the Remote Control MUTE BUTTON (42) one time, the sound will not be heard from the speakers and "MUTE ON" will show on the display; press the MUTE BUTTON (42) or rotate the VOLUME KNOB (17) to cancel mute function and the sound can be heard again from the speakers. During playing mode, press the EQ BUTTON (26) to choose from different sound effect among POP/ CLASSIC/ ROCK/ JAZZ / FLAT.

TURNTABLE OPERATION

VERY IMPORTANT

VERY IMPORTANT!

To prevent damages from transportation, a transit screw is located at the upper right side of the turntable platform. Before start playing use a screwdriver and turn the transit screw in clockwise direction (screw going down) completely. In case of transportation, remember to clock again this screw in counter-clockwise direction to prevent damages.



PREPARATION

1. Open the Record Player Cover.
2. Release the Tonearm Clamp, and remove the stylus protector.

LISTENING TO RECORDS

1. Press the MODE/STANDBY BUTTON (10) to select the PHONO function.
2. Place a record on the turntable, over the central spindle. Place the EP adapter over the central spindle when playing 17cm EP records.
3. Set the Speed Selector to 33 or 45 rpm according to the record.
4. Release the tonearm clamp, and remove the protective cap from the stylus.
5. Lift the Tonearm with the Tonearm Lift Lever.
6. Move the tonearm to the beginning of the record, or to the start of a particular track.
7. Gently lower the tone arm onto the record with the Tonearm Lift lever to start playing.
8. When the record is finished the tonearm will automatically stop. To stop manually, lift the tonearm from the record and return it to the rest.

Notes: Do not stop or turn the platter manually. Moving or jarring the turntable without securing the Tonearm clamp could result in damage to the Tonearm. Replace the protective cap on the stylus when not in use.

PLAYING COMPACT DISCS

To start

1. Press MODE/STANDBY BUTTON (10) to select "CD" mode.
2. Press "open/close" button (9) to open the CD door (8).
3. Place a CD with the printed side facing up inside the tray & then close the CD door.
4. Focus search is performing, the first track will start playback.
5. To interrupt, press the STOP (12) once, the total number of tracks will show on the LCD display (19). Press again PLAY/PAUSE BUTTON (11) to resume normal playback.

Skip/search mode (skip/search up / skip/search down)

- During play or pause mode, if UP F.F BUTTON (14) is pressed. it will go to next track and display the track no. and then remain the play or pause mode.
- During play or pause mode, if DN F.R BUTTON (13) is pressed. it will go back to the beginning of the track, original track number is display and remain the play or pause mode.
- After step 2, press DN F.R BUTTON (13) again will go to the pre-vious track and remain the play or pause mode.
- If press and hold the UP F.F BUTTON (14) or DN F.R BUTTON (13) during CD/MP3 playback, the playing track will go fast forward or backward ckward until the button being released.
- To skip 10 tracks UP or DOWN press the TRACK +10 or -10 TRACK button on Remote Control.

CD DISC PROGRAMMING

Up to 99 tacks can be programmed for MP3 (20 tacks in CD) and play in anyorder. before use be sure the system is at stop mode before programming:

1. In CD mode and stop the cd playback.
2. Press the TUNER / PRESET (18) or press PROGRAM (34) on the remote, "MEMORY P01" will appear on LCD display (19).
3. Select a desired track by pressing UP F.F. DN F.R.BUTTON (13)/(14).
4. Press the TUNER/PRESET BUTTON (18) or PROGRAM (34) on the remote to store the trace into memory.
5. Repeat steps 3 and 4 to enter additional tracks into the memory if necessary.
6. When all the desired tracks have been programmed, press PLAY/PAUSE BUTTON (11) to play the disc in assigned order.
7. To cancel the programmed file, press STOP BUTTON (12).

PLAYBACK OF MP3/WMA SONG VIA USB STORAGE MEDIA

The system is able to decode and playback all MP3 /WMA file which stored in the memory media with usb connecting port.

1. Press MODE/STANDBY BUTTON (10) to select "USB" mode.
2. Plug-in the usb plug with the face up & make sure it going into completely.
3. The system will start reading the storage media automatically after connecting, and LCD display (19) will show the total number of MP3/WMA files
4. Repeat the same playback procedure as playing CD/MP3 disc as above.

REMARKS:

- The system can detect and read the file under MP3 and WMA format only though the USB port.
- If connect the system to MP3 player via the usb socket, due to variances in MP3 encoding format some MP3 player may not be able to play via the USB socket. this is not a malfunction of the system.
- Connecting the USB upside down or backwards could damage the audio system or the storage media (USB thumb drive). Check to be sure the direction is correct before connection.

BLUETOOTH OPERATION

1. Press MODE/STANDBY (10) button to select "BT" mode, the BT BLUE indicator will light up.
2. Select from your portable device (Smartphone, Tablet...) the ID Bluetooth tagged as "DL-P25" then confirm connection.
3. Now you can transfer the music to the DL-P25.
4. PLAY/PAUS, UP F.F. OR DN F.R. to control the bluetooth playing. You may also use your mobile phone to control.

NOTE: Press and hold STOP 2 seconds to disconnect the bluetooth connection.

ENCODING FROM CD

Plug USB Disk into USB socket. During CD playing mode, press the RECORD BUTTON (16) one time, "REC-ONE" will show on the display: press the RECORD BUTTON(16) secondly to record the playing track; or press the UP F.F BUTTON (14) twice to choose to record whole file in the CD and "REC-ALL" will show on the display.

ENCODING FROM CD - MP3

Plug USB Disk into USB socket. During MP3 playing mode press the RECORD BUTTON (16) one time, "REC-ONE" will show on the display; then press the RECORD BUTTON(16) secondly to confirm "REC" will flash and start to record after 5 seconds; or press the UP F.F.BUTTON (14) one time to choose to record all the file in the playing folder and "REC-FOLD" will show on the display; or press the UP F.F BUTTON (14) twice to record the file in the whole playing MP3 disc and "REC-ALL" will show on the display.

ENCODING FROM PHONO

Plug USB Disk into USB socket. During PHONO playing mode, press RECORD BUTTON (16) one time, "USB" will show on the display, then press the RECORD BUTTON (16) twice to confirm, "USB" will flash and start to record after 5 seconds; press PLAY/PAUSE BUTTON (11) one time to stop the recording and "USB" will not flash; press PLAY/PAUSE BUTTON (11) again to resume to record and "USB" will flash again.

ENCODING FROM BLUETOOTH

Plug USB Disk into USB socket. During BLUETOOTH playing mode, press the RECORD BUTTON (16) one time, "USB" will show on the display, then press the RECORD BUTTON (16) secondly to confirm, "USB" will flash and start to record after 5 second' s; press the PLAY/PAUSE BUTTON (11) one time to stop the recording and "USB " will not flash; press the PLAY/PAUSE BUTTON (11) again to resume to resord and "USB" will not flash again.

NOTE: Press the **STOP** button to stop recording when you finish recording.

DELETE USB

1. During USB mode, press DELETE BUTTON (36) one time from Remote Control, “DEL-ONE” will show on the display. You can delete the playing track.
2. Press UP F.F BUTTON (14) one time and “DEL-FOLD” will show on the display. You can delete the current playing folder.
3. Press UP F.F BUTTON (14) twice. “DEL-ALL” will show on the display. You can delete all of the tracks into the playing USB.
4. Finally press DELETE BUTTON (36) again once confirmed to choose “DEL-1”, “DEL-F” or “DEL-A”.

SPECIFICATIONS

AC: 100-240V ~ 50-60Hz, 4A

FM: 87.5 - 108MHz

Design and specifications are subject to change without notice.

FCC Caution:

This device complies with part 15 of the FCC Rules. Operation is subject to the following two conditions: (1) This device may not cause harmful interference, and (2) this device must accept any interference received, including interference that may cause undesired operation.

Any Changes or modifications not expressly approved by the party responsible for compliance could void the user's authority to operate the equipment.

Note: This equipment has been tested and found to comply with the limits for a Class B digital device, pursuant to part 15 of the FCC Rules. These limits are designed to provide reasonable protection against harmful interference in a residential installation. This equipment generates uses and can radiate radio frequency energy and, if not installed and used in accordance with the instructions, may cause harmful interference to radio communications. However, there is no guarantee that interference will not occur in a particular installation. If this equipment does cause harmful interference to radio or television reception, which can be determined by turning the equipment off and on, the user is encouraged to try to correct the interference by one or more of the following measures:

- Reorient or relocate the receiving antenna.
- Increase the separation between the equipment and receiver.
- Connect the equipment into an outlet on a circuit different from that to which the receiver is connected.
- Consult the dealer or an experienced radio/TV technician for help.

This equipment complies with FCC radiation exposure limits set forth for an uncontrolled environment. This equipment should be installed and operated with minimum distance 20cm between the radiator & your body.

IC Caution:

This device complies with Industry Canada's licence-exempt RSSs. Operation is subject to the following two conditions:

- (1) This device may not cause interference; and
- (2) This device must accept any interference, including interference that may cause undesired operation of the device.

To maintain compliance with RF exposure guidelines, this equipment should be installed and operated with a minimum distance of 20cm between the radiator and your body.

Le présent appareil est conforme aux CNR d'Industrie Canada applicables aux appareils radio exempts de licence. L'exploitation est autorisée aux deux conditions suivantes:

- (1) l'appareil ne doit pas produire de brouillage, et
- (2) l'utilisateur de l'appareil doit accepter tout brouillage radioélectrique subi, même si le brouillage est susceptible d'en compromettre le fonctionnement.

Pour maintenir la conformité aux directives d'exposition aux radiofréquences, cet équipement doit être installé et utilisé avec une distance minimale de 20 cm entre le radiateur et votre corps.