

VICTROLA™



THE MONTAUK

**MODEL: VM-135
INSTRUCTION MANUAL**

PLEASE READ THIS INSTRUCTION MANUAL CAREFULLY BEFORE USE
AND KEEP IT FOR FUTURE REFERENCE.

SAFETY INSTRUCTIONS

Do not cover or block any ventilation openings. When placing the device on a shelf, leave 5 cm (2") free space around the whole device.

Install in accordance with the supplied user manual.

Keep the device away from heat sources such as radiators, heaters, stoves, candles and other heat-generating products or naked flame. The device can only be used in moderate climates. Extremely cold or warm environments should be avoided. Working temperature between 0° and 35° C.

Avoid using the device near strong magnetic fields.

Electrostatic discharge can disturb normal usage of this device. If so, simply reset and restart the device following the instruction manual. During file transmission, please handle with care and operate in a static-free environment.

Warning! Never insert an object into the product through the vents or openings. High voltage flows through the product and inserting an object can cause electric shock and/or short circuit internal parts. For the same reason, do not spill water or liquid on the product.

Do not use in wet or moist areas such as bathrooms, steamy kitchens or near swimming pools.

The device shall not be exposed to dripping or splashing and make sure that no objects filled with liquids, such as vases, are placed on or near the apparatus.

Do not use this device when condensation may occur. When the unit is used in a warm wet room with damp, water droplets or condensation may occur inside the unit and the unit may not function properly; let the unit stand in power OFF for 1 or 2 hours before turning on the power: the unit should be dry before getting any power.

Although this device is manufactured with the utmost care and checked several times before leaving the factory, it is still possible that problems may occur, as with all electrical appliances. If you notice smoke, an excessive build-up of heat or any other unexpected phenomena, you should disconnect the plug from the main power socket immediately.

This device must operate on a power source as specified on the specification label. If you are not sure of the type of power supply used in your home, consult your dealer or local power company.

Keep away from animals. Some animals enjoy biting on power cords.

To clean the device, use a soft dry cloth. Do not use solvents or petrol based fluids. To remove severe stains, you may use a damp cloth with dilute detergent.

The supplier is not responsible for damage or lost data caused by malfunction, misuse, modification of the device or battery replacement.

Do not interrupt the connection when the device is formatting or transferring files. Otherwise, data may be corrupted or lost.

The rating label has been marked on the bottom or back panel of the device.

This device is not intended for use by people (including children) with physical, sensory or mental disabilities, or a lack of experience and knowledge, unless they're under supervision or have received instructions about the correct use of the device by the person who is responsible for their safety.

This product is intended for non professional use only and not for commercial or industrial use.

Make sure the unit is adjusted to a stable position. Damage caused by using this product in an unstable position vibrations or shocks or by failure to follow any other warning or precaution contained within this user manual will not be covered by warranty.

Never remove the casing of this device.

Never place this device on other electrical equipment.

Do not allow children access to plastic bags.

Only use attachments/accessories specified by the manufacturer.

Refer all servicing to qualified service personnel. Servicing is required when the device has been damaged in any way, such as the power supply cord or the plug, when liquid has been spilled or objects have fallen into the device, when the device has been exposed to rain or moisture, does not operate normally, or has been dropped.

Long exposure to loud sounds from personal music players may lead to temporary or permanent hearing loss.

If the product is delivered with power cable or AC power adapter:

- If any trouble occur, disconnect the AC power cord and refer servicing to qualified Personnel.
- Don't step on or pinch the power adapter. Be very careful, particularly near the plugs and the cable's exit point. Do not place heavy items on the power adapter, which may damage it. Keep the entire device out of children's reach! When playing with the power cable, they can seriously injure themselves.
- Unplug this device during lightning storms or when unused for a long period.
- The socket outlet must be installed near the equipment and must be easily accessible.
- Do not overload ac outlets or extension cords. Overloading can cause fire or electric shock.
- Devices with class 1 construction should be connected to a main socket outlet with a protective earthed connection.
- Devices with class 2 construction do not require a earthed connection.
- Always hold the plug when pulling it out of the main supply socket. Do not pull the power cord. This can cause a short circuit.
- Do not use a damaged power cord or plug or a loose outlet. Doing so may result in fire or electric shock.

SPECIFICATIONS

GENERAL

AC/DC Adaptor:	Input: 100-240V, 50/60Hz, 0.8 A
.....	Output: DC12V-2A
.....	Output Power: 24W
Speaker Impedance:	4ohm, 10W
Max Power Consumption:.....	24W
Dimensions.....	Main Unit: 13.38 in x 12.59 in x 3.93 in
	Main Unit: 340 mm x 320 mm x 100 mm
	Speakers: 5.11 in x 4.72 in x 7.87 in
	Speakers: 130 mm x 120 mm x 200 mm
Weight	Approx. 4 lbs / 12 kgs

BLUETOOTH

Version.....	5.0
Frequency Range	2402MHz to 2480MHz
Maximum Transmission Power	<8dbm

TURNTABLE

Type	Belt drive full manual
Drive Motor.....	DC motor
Speed	33, 45, 78 RPM
Turntable Platter.....	7.87 in / 200 mm

Included:.....	Turntable, Instruction Manual, Turntable Operation Sheet, Power supply, 45 RPM adapter
----------------	--

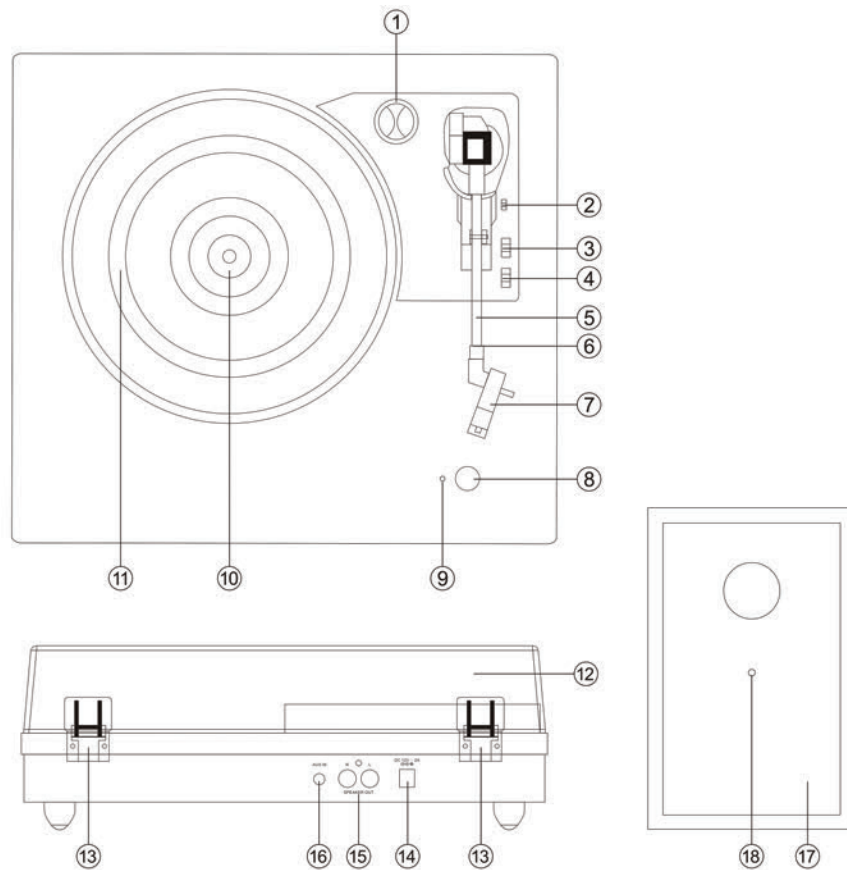
Design and specification are subject to change without notice.

Bluetooth is a registered trademark of Bluetooth SIG, Inc.

Other trademarks and trade names are those of their respective owners.

Victrola is a registered trademark of Innovative Technology Electronics LLC.

TURNTABLE LAYOUT



- 45 RPM ADAPTOR**
- LIFT LEVER**
- AUTO STOP CONTROL SWITCH**
- SPEED SELECTION SWITCH**
- TONE ARM**
- TONE ARM LOCK**
- PHONO STYLUS CARTRIDGE**
- POWER/VOLUME KNOB**
- POWER LED LIGHT INDICATOR**
- TURNTABLE SHAFT**
- TURNTABLE PLATTER**
- REMOVABLE DUST COVER**
- HINGE**
- POWER ADAPTOR JACK**
- EXTERNAL SPEAKER JACKS**
- AUX IN JACK**
- EXTERNAL SPEAKERS**
- SPEAKER CABLE AT EXTERNAL SPEAKER**

TURNTABLE OPERATION

Set Up

An AC/DC adaptor with an output of 12V DC 2.0A is included with this Turntable with Bluetooth reception and Wooden Speakers. The adapter is required for operating the unit.

Connect the speaker cables from each speaker to the back of the unit

NOTE: *The external speaker cables are color coded, the cable with the red connector should be put in the red hole and the white one in the white hole.*

Firmly and securely insert the DC plug of the adaptor to the DC IN Jack on the back of the unit. Plug the adaptor's AC plugs into a power outlet rated at 220-240V AV ~ 50 Hz. Turn on the unit by the POWER/VOLUME Knob. The Power Led Light Indicator will turn on.

NOTE: *To avoid Larsen effect or Feedback noise, you can do the following:*

1. Put your speakers at minimum distance of 60 cm or more from your turntable
2. Let the dustcover open when you play a record at higher sound volume

Listen to a Record

Raise the dust cover

Turn on the unit by the POWER/VOLUME Knob. The Power Led Light Indicator will light in RED.

Place a record on the turntable platter and set the player speed to match the record speed.

Note: When playing a single (a 45 rpm record) and/or records with large center holes, use the 45 rpm adapter.

Remove the needle cartridge protective cover

Unlock the tone arm lock from the tone arm rest. Push the lift lever backward, the tone arm will gently rise up. Gently move the tone arm to the desired position over the record and the turntable platter will begin to rotate when the arm is moved towards it If Auto Stop Control Switch in ON. Release the tone arm onto the turntable by pushing the lift lever forward and the vinyl record will begin to play.

If the Auto Control Switch is turned ON, the record will stop automatically when finished. If Auto Stop Control Switch is turned OFF, the record will NOT stop automatically when finished; you must push the lift lever backward to raise the tone arm and place it back in the rest and then turn off the power to stop the turntable from spinning.

NOTE:

- *AUTO STOP function applies to most 33RPM vinyl records. However, for very few vinyl records, it will stop when it does not come to the end, or it will not stop when it comes to the end when AUTO STOP is ON.*
- *If your record stops before the last track finishes, set the AUTO STOP switch to OFF. Your record will now play to the end, but you will have to stop the turntable rotation manually.*
- *Depending on the record length, AUTO STOP may be enabled before the end of the recording. Do not rely on AUTO STOP alone to turn off playback.*
- *Automatic stand-by for power saving (CE regulation): The unit will go automatically in standby if there is no audio signal (record or Bluetooth) during +/- 15 minutes. To re-activate the device, you have the choice below:*
- *Move the tone arm to the turntable platter with record to start playing.*
- *Turn the POWER/VOLUME Knob to OFF and ON again.*

HOW TO REPLACE THE TURNTABLE NEEDLE (*Replacement Needle # ITNP-S1*)

Removing the Stylus from the Cartridge

1. Set a screwdriver at the tip of the stylus and push down to the direction "A".

WARNING: When applying force to stylus, too much may damage or break the stylus.

2. Pull the stylus out toward the direction "B".

Installing the Stylus

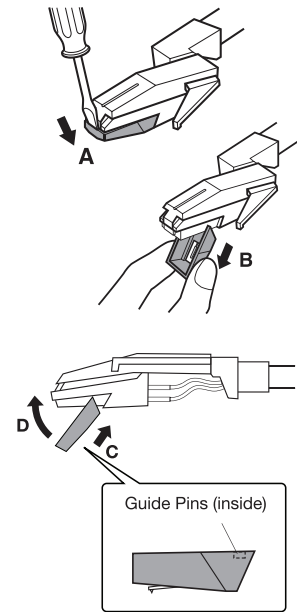
1. Hold the tip of the stylus and insert the other edge by pressing toward direction "C".

2. Push the stylus up toward direction "D" until it locks at the tip.

Caution:

- Do not remove or bend the stylus needle.
- Do not touch the needle to avoid injury to your hand.
- Turn off the unit's power before you replace the stylus.
- Keep out of reach of children.

NOTE: The stylus should last about 50 hours under normal use. It is recommended that the stylus be replaced as soon as you notice a change in sound quality.



BLUETOOTH OPERATION

An external device with Bluetooth Connectivity like a smartphone or tablet be wirelessly connected to this Turntable using the Bluetooth function.

Turn on the unit by the POWER/VOLUME Knob.

When the turntable is switched on and the tone arm is placed on the arm rest, Bluetooth mode is automatically activated and go to pairing mode, LED light would flash

The first time you use your Bluetooth device with the turntable, you will need to pair them together.

Turn your external device's Bluetooth Setting ON. Wait a moment, then look for the Bluetooth pairing name "**Victrola Montauk**". If your device asks for a password (depending on the device manufacturers, model, and software version), then enter digits "0000" and press OK.

Select the Bluetooth pairing name, to connect the unit.

Once connected, the LED light will stop flashing.

You are now connected to your external device via Bluetooth

Rotate the Volume Control Knob to adjust the sound level and adjust the volume control at your external audio device.

AUX-IN OPERATION

Using a 3.5mm Stereo cable (not included), connect an external audio device to the AUX IN socket at the back of the unit.

Turn on the unit by the POWER/VOLUME Knob and adjust the volume to an appropriate level.

Use the POWER/VOLUME KNOB to adjust the volume and use the controls on the external audio device to control the Playback/Volume functions

Note: When the Aux jack is inserted with cable, the unit would stay at Aux mode, you have to unplug the cable to exit the Aux mode if you want to listen to record or Bluetooth music

FCC STATEMENT

Warning: Changes or modifications to this unit not expressly approved by the party responsible for compliance could void the user authority to operate the equipment.

NOTE: This equipment has been tested and found to comply with the limits for Class B digital device, pursuant to part 15 of the FCC Rules. These limits are designed to provide reasonable protection against harmful interference in a residential installation. This equipment generates, uses and can radiate radio frequency energy and, if not installed and used in accordance with the instructions, may cause harmful interference to radio communications. However, there is no guarantee that interference will not occur in a particular installation. If this equipment does cause harmful interference to radio or television reception, which can be determined by turning the equipment off and on, the user is encouraged to try to correct the interference by one or more of the following measures:

- Reorient or relocate the receiving antenna.
- Increase the separation between the equipment and the receiver.
- Connect the equipment into an outlet on a circuit different from that to which the receiver is connected.
- Consult the dealer or an experienced radio/TV technician for help.

This device complies with Part 15 of the FCC Rules. Operation is subject to the following two conditions: (1) This device may not cause harmful interference, and (2) this device must accept any interference received, including interference that may cause undesired operation.

FCC Radiation Exposure Statement This equipment complies with FCC radiation exposure limits set forth for an uncontrolled environment. This equipment should be installed and operated with minimum distance 20cm between the radiator & your body.

IC STATEMENT

This device complies with RSS247 of Industry Canada. Cet appareil se conforme à RSS247 de Canada d'Industrie. This device complies with Industry Canada license-exempt RSS standard(s). Operation is subject to the following two conditions: (1) this device may not cause interference, and (2) this device must accept any interference, including interference that may cause undesired operation of the device. Le présent appareil est conforme aux CNR d'Industrie Canada applicables aux appareils radio exempts de licence. Son fonctionnement est sujet aux deux conditions suivantes: (1) le dispositif ne doit pas produire de brouillage préjudiciable, et (2) ce dispositif doit accepter tout brouillage reçu, y compris un brouillage susceptible de provoquer un fonctionnement indésirable.

The device must not be co-located or operating in conjunction with any other antenna or transmitter. L'appareil ne doit pas être localisé ou fonctionner avec d'autres antennes ou transmetteurs. This device complies with IC radiation exposure limits set forth for an uncontrolled environment. Cet appareil est conforme aux limites d'exposition aux rayonnements de la IC établies pour un incontrôlé environnement.

The device should be installed and operated with a minimum distance of 20cm between the radiator and your body. L'appareil doit être installé et utilisé avec une distance minimale de 20cm entre le radiateur et votre corps.

WARRANTY

United States

Victrola (Innovative Technology Electronics, LLC) warrants to the original retail purchaser that this product will be free from defective materials and workmanship for one (1) year from the date of purchase, subject to the limitations below. This warranty period is not extended if we replace the product.

To obtain a replacement under the terms of this warranty, you must contact the dealer from which it was purchased with your original receipt. If assistance from the dealer from which it was purchased is impossible, you may contact our customer service for warranty assistance at victrola.com/contact.

Except as limited below, if the product proves defective in either material or workmanship within one (1) year from the date of purchase, Victrola will replace the product at no charge. If the product model is no longer available and cannot be replaced with an identical model, Victrola will issue a merchandise credit for the purchase price to be redeemed at victrola.com.

Limitations:

- This limited warranty does not cover failure of the product arising, in whole or in part, from improper installation, storage, transportation, misuse, abuse, accident, neglect, mishandling, unauthorized repair, modification, or wear from ordinary use or environmental deterioration.
- This limited warranty does not cover cosmetic damage, including paint damage, or consequential damage to other components or premises which may result for any reason from the failure of the product.
- This limited warranty is null and void for products not used in accordance with Victrola's instructions.
- This limited warranty terminates if the original retail purchaser sells or otherwise transfers this product.
- This limited warranty is null and void for defects or damage caused by installation or repair performed by any person or entity other than a Victrola authorized installer or dealer.

This warranty gives you specific legal rights, and you may also have other rights which vary from state to state, jurisdiction to jurisdiction or country to country. All express and implied warranties for the product, including but not limited to any implied warranties of merchantability and fitness for a particular purpose, are limited in time to the term of this warranty. Some states, jurisdictions or countries do not allow the exclusion of certain implied warranties or conditions, or limitations on how long an implied warranty or condition lasts, so this limitation may not apply to you. Victrola's responsibility for malfunctions and defects in hardware is limited to replacement or repair as set forth in this warranty statement. Victrola does not accept liability for special, punitive, consequential or incidental damages or losses, whether direct or indirect, including without limitation, any liability for third party claims against you for damages or losses or for products not being available for use. The maximum liability for which Victrola may be responsible will be no more than the amount you paid for the product that is the subject of the claim. Some states, jurisdictions or countries do not allow the exclusion or limitation of special, indirect, incidental or consequential damages, so the above limitation or exclusion may not apply to you.

Canada and US Territories

The Warranty on this product shall comply with applicable law when sold to a consumer in Canada or a US Territory. To obtain any applicable warranty service, please contact the dealer from which you purchased the product, or the distributor that supplied the product, with your original receipt. If assistance from the dealer from which it was purchased is impossible, you may contact our customer service for warranty assistance at victrola.com/contact.

If this product proves defective in either material or workmanship, Victrola will replace the product at no charge. If the product model is no longer available and cannot be repaired effectively or replaced with an identical model, Victrola at its sole option may replace the unit with a current model of equal or greater value.

Outside the U.S, Canada, and US Territories

The Warranty on this product shall comply with applicable law when sold to a consumer outside of the United States, Canada, and US Territories. To obtain any applicable warranty service, please contact the dealer from which you purchased the product, or the distributor that supplied the product, with your original receipt.

Made In China.