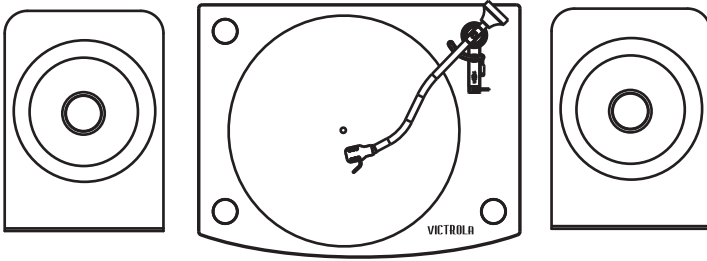


# VICTROLA

ACRILIC TURNTABLE WITH WIRELESS SPEAKERS



MODEL:VM-100B

PLEASE READ CAREFULLY BEFORE OPERATING THIS EQUIPMENT  
KEEP IT IN A SAFE PLACE FOR FUTURE REFERENCE

# IMPORTANT SAFETY INSTRUCTIONS



CAUTION: TO REDUCE THE ELECTRIC SHOCK, DO NOT REMOVE THE COVER (OR BACK). NO USER SERVICEABLE PART INSIDE, REFER SERVICING TO QUALIFIED SERVICE PERSONNEL.



**DANGEROUS VOLTAGE:** The lightning flash with arrowhead symbol within an equilateral triangle is intended to alert the user to the presence of uninsulated “dangerous voltage” within the product’s enclosure that may be of sufficient magnitude to constitute a risk of electric shock to persons.



**ATTENTION:** The exclamation point within an equilateral triangle is intended to alert the user to the presence of important operating and maintenance (servicing) instructions in the literature accompanying the appliance.

**WARNING: TO PREVENT FIRE OR SHOCK HAZARD, DO NOT EXPOSE THIS UNIT TO RAIN OR MOISTURE.**

**WARNING: USE UNDER SUPERVISION OF AN ADULT DUE TO LONG CORD** This unit has a long cord that can be easily tripped on or pulled on, causing injury. Please make sure it is arranged so that it will not drape over a tabletop, etc. Where it can be pulled on by children or tripped over accidentally.

## FCC NOTICE:

This equipment has been tested and found to comply with the limits for a Class B digital device, pursuant to Part 15 of the FCC Rules. These limits are designed to provide reasonable protection against harmful interference in a residential installation. This equipment generates, uses and can radiate radio frequency energy and, if not installed and used in accordance with the instructions, may cause harmful interference to radio communications. However, there is no guarantee that interference will not occur in a particular installation. If this equipment does cause harmful interference to radio or television reception, which can be determined by turning the equipment off and on, the user is encouraged to try to correct the interference by one or more of the following measures:

- Reorient or relocate the receiving antenna.
- Increase the separation between the equipment and receiver.
- Connect the equipment into an outlet on a circuit different from that to which the receiver is connected.
- Consult the dealer or an experienced radio/TV technician for help.

### **FCC STATEMENT:**

This device complies with part 15 of the FCC Rules. Operation is subject to the following two conditions:

- (1) This device may not cause harmful interference, and
- (2) This device must accept any interference received, including interference that may cause undesired operation.

### **FCC Radiation Exposure Statement:**

This equipment complies with FCC radiation exposure limits set forth for an uncontrolled environment. This transmitter must not be co-located or operating in conjunction with any other antenna or transmitter.

### **ISED Radiation Exposure Statement:**

This equipment complies with ISED RF radiation exposure limits set forth for an uncontrolled environment. This transmitter must not be co-located or operating in conjunction with any other antenna or transmitter.

### **Cet appareil est**

conforme aux limites d'exposition de rayonnement RF ISED établies pour un environnement non contrôlé. Cet émetteur ne doit pas être co-implanté ou fonctionner en conjonction avec toute autre antenne ou transmetteur.

This device complies with ISED licence-exempt RSS standard(s). Operation is subject to the following two conditions:

- (1) this device may not cause interference, and
- (2) this device must accept any interference, including interference that may cause undesired operation of the device.

Le présent appareil est conforme aux CNR d'ISED applicables aux appareils radio exempts de licence. L'exploitation est autorisée aux deux conditions suivantes :

- (1) l'appareil ne doit pas produire de brouillage, et
- (2) l'utilisateur de l'appareil doit accepter tout brouillage radioélectrique subi, même si le brouillage est susceptible d'en compromettre le fonctionnement.

### **FCC WARNING:**

To assure continued operation, follow the attached installation instructions and use only shield cables when connecting to other devices. Changes or modifications not expressly approved by the party responsible for compliance could void the user's authority to operate the equipment

## **IMPORTANT SAFETY INSTRUCTIONS**

Before using the unit, be sure to read all operating instruction carefully, please note that these are general precautions and may not pertain to your unit. For example, this unit may not have the capability to be connected to an outdoor antenna.

### **(1) Read these instructions**

All the safety and operating instructions should be read before the appliance is operated.

### **(2) Keep these instructions**

The safety and operating instructions should be kept for future reference.

### **(3) Heed all warnings**

All warnings on the appliance and in the operating instructions should be adhered to.

### **(4) Follow all instructions**

All operation and use instructions should be followed.

### **(5) Do not use this apparatus near water**

The appliance should not be used near water; for example, near a bath tub, washbowl, kitchen sink, laundry tub, in a wet basement, or near a swimming pool.

**(6) Clean only with dry cloth**

The appliance should be cleaned only as recommended by the manufacturer.

**(7) Do not block any ventilation openings. Install in accordance with the manufacturer's instructions.**

Slots and openings in the cabinet and in the back or bottom are provided for ventilation, to ensure reliable operation of the product and to protect it from overheating. These openings must not be blocked or covered. The openings should never be blocked by placing the product on a bed, sofa, rug, or similar surface. This product should never be placed near or over a radiator or heat source. This product should not be placed in a built-in installation, such as a bookcase or rack unless proper ventilation is provided or the manufacturer's instructions have been adhered to.

**(8) Do not install near any heat sources such as radiators, heat registers, stoves, or other apparatus (including amplifiers) that produce heat.**

**(9) Do not defeat the safety purpose of the polarized or grounding-type plug. A polarized plug has two blades with one wider than the other. A grounding type plug has two blades and a third grounding prong. The wide or the third prong is provided for your safety. If the provided plug does not fit into your outlet, consult an electrician for replacement of the obsolete outlet.**

**(10) Protect the power cord from being walked on or pinched particularly at plugs, convenience receptacles, and the point where they exit from the apparatus.**

**(11) Only use attachments / accessories specified by the manufacturer.**

**(12) Use only with a cart, stand, tripod, bracket, or table specified by the manufacturer, or sold with the apparatus. When a cart is used, use caution when moving the cart/apparatus combination to avoid injury from tip-over.**



An appliance and cart combination should be moved with care. Quick stop, excessive force and uneven surfaces may cause the appliance and cart combination to overturn.

**(13) Unplug this apparatus during lightning storms or when unused for long periods of time.**

To protect your product from a lightning storm, or when it is left unattended and unused for long periods of time, unplug it from the wall outlet and disconnect the antenna or cable system. This will prevent damage to the product due to lightning and power-line surges.

**(14) Refer all servicing to qualified service personnel. Servicing is required when the apparatus has been damaged in any way, such as power-supply cord or plug is damaged, liquid has been spilled or objects have fallen into the apparatus, the apparatus has been exposed to rain or moisture, does not operate normally, or has been dropped.**

### (15) Power source

This product should be operated only from the type of power source indicated on the marking label. If you are not sure of the type of power supply to your home, consult your appliance dealer or local power company. For products intended to operate from battery power, or other source, refer to the operation instructions.

### (16) Power lines

An outside antenna system should not be located in the vicinity of overhead power lines or other electric light or power circuits, or where it can fall into such power lines or circuits. When installing an outside antenna system, extreme care should be taken to keep from touching such power lines or circuits as contact with them might be fatal.

### (17) Overloading

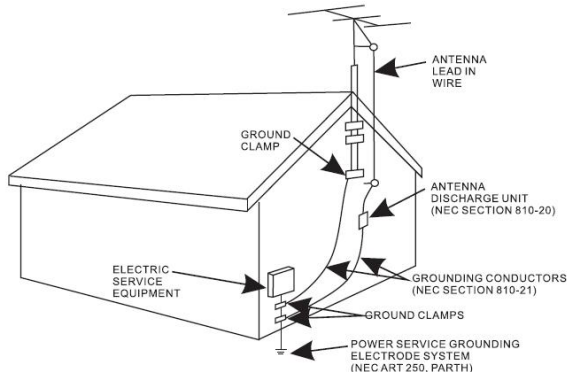
Do not overload wall outlets and extension cords as this can result in a risk of fire or electric shock.

### (18) Object and liquid entry

Never push objects of any kind into the product through openings as they may touch dangerous voltage points or short out parts that could result in fire or electric shock. Never spill or spray any type of liquid on the product.

### (19) Outdoor antenna grounding

If an outside antenna is connected to the product, be sure the antenna system is grounded so as to provide some protection against voltage surges and built up static charges. Section 810 of the National Electric Code ANSI/ NFPA 70 provides information with respect to proper grounding of the mast and supporting structure, grounding of the lead-in wire to an antenna discharge product, size of grounding conductors, location of antenna- discharge product, connection to grounding electrodes and requirements for the grounding electrodes.



### (20) Service

Do not attempt to service this product yourself as opening or removing covers may expose you to dangerous voltage or other hazards. Refer all servicing to qualified service personnel.

**(21) Replacement parts**

When replacement parts are required, be sure the service technician uses replacement parts specified by the manufacturer or those that have the same characteristics as the original parts. Unauthorized substitutions may result in fire or electric shock or other hazards.

**(22) Safety check**

Upon completion of any service or repairs to this product, ask the service technician to perform safety checks to determine that the product is in proper operating condition.

**(23) Wall or ceiling mounting**

The product should be mounted to a wall or ceiling only as recommended by the manufacturer.

**(24) Damage requiring service**

Unplug this product from the wall outlet and refer service to qualified service personnel under the following conditions.

- a) When the power- supply cord or plug is damaged.
- b) If liquid has been spilled or objects have fallen into the product.
- c) If the product has been exposed to rain or water.
- d) If the product does not operate normally by following the operating instructions. Adjust only those controls that are covered by the operating instructions, as an adjustment of other controls may result in damage and will require extensive work by a qualified technician to restore the product to its normal operation.
- e) If the product has been dropped or the cabinet has been damaged.
- f) When the product exhibits a distinct change in performance- this indicates a need for service.

**(25) Note to CATV system installer**

This reminder is provided to call the CATV system installer' s attention to Article 820- 40 of the NEC that provides guidelines for proper grounding and, in particular, specifies that the cable ground shall be connected to the grounding system of the building, as close to the point of cable entry as practical.

**NOTE: Refer all servicing to qualified service personnel. Servicing is required when the unit has been damaged in any way such as the following: the power-supply cord or plug has been damaged, liquid has been spilled into unit, the unit has been exposed to rain or moisture, the unit has been dropped or the unit does not operate normally.**

## BEFORE USING THE UNIT

- As the unit may become warm during operation, always leave sufficient space around the unit for ventilation.
- The voltage supplied to the unit should match the voltage as printed on the rear panel. If you are in any doubt regarding this matter, consult an electrician.
- Choose the installation location of your unit carefully. Avoid placing it in direct sunlight or close to a source of heat. Also avoid locations subject to vibrations and excessive dust, heat, cold or moisture.
- Do not place the unit on an amplifier/receiver.
- Do not open the cabinet as this might result in damage to the circuitry or electrical shock. If a foreign object should get into the unit, contact your dealer or service company.
- When removing the power plug from the wall outlet, always pull directly on the plug, never yank the cord.
- To keep the laser pickup clean, do not touch it, and always close the disc tray.
- Do not attempt to clean the unit with chemical solvents as this might damage the finish. Use a clean, dry cloth.
- Keep this manual in a safe place for future reference.

### **DO NOT MOVE THE UNIT DURING PLAYBACK**

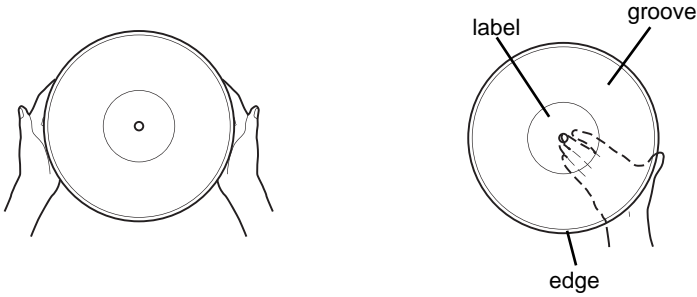
During playback, the disc rotates at high speed. Do NOT lift or move the unit during playback. Doing so may damage the disc or the unit.

### **WHEN MOVING THIS UNIT**

When changing the unit's location or packing the unit for moving, be sure to remove the record or disc. Moving this unit with the record or disc loaded may result in damage to this unit. If the unit is to be packed and moved a great distance, it is also advisable to tighten the turntable transport locking screw.

## HANDLING RECORDS

- Do not touch the record's grooves. Only handle records by the edges or the label. Make sure your hands are clean. Skin oils from even clean hands can leave a residue on the record surface that will gradually deteriorate the quality of your record.



- Keep your records away from dust. Keep them in a cool, dry place.
- To avoid dust and scratches, keep records in their sleeves and jackets when not in use.
- Store records upright on their edges. Records stored horizontally will eventually bend and warp.
- Do not expose records to direct sunlight or high humidity and temperature. Long exposure to high temperatures will warp the record.
- Do not store your records in the trunk of your car. The temperature in a closed trunk can ruin your collection.
- Store records in an area with a stable temperature and low humidity.
- Should the record become dirty, gently wipe the surface in a circular motion, using a soft anti-static cloth.





# HOW TO REPLACE THE STYLUS

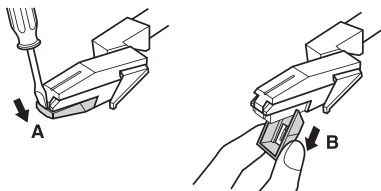
The stylus should last about 50 hours under normal use. However, it is recommended that the stylus be replaced as soon as you notice a change in sound quality.

## Caution:

- Do not remove or bend the stylus.
- To avoid injury, do not touch the needle.
- Turn off the unit's power before you replace the stylus.
- Keep out of the reach of children.
- Handle with care, as the stylus is delicate. Use of a bent or broken stylus may damage the record and cause the turntable stylus to malfunction.
- Do not expose stylus to extreme heat.
- Contact a qualified repair company if you experience difficulty in changing the stylus.

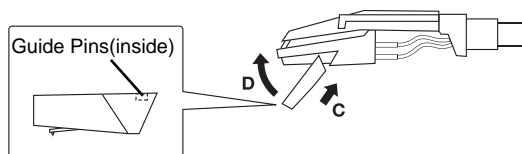
## Removing an old stylus:

1. Set a screwdriver at the tip of the stylus and push down to the direction "A".
2. Pull the stylus out toward direction "B".



## Installing a new stylus

1. Hold the tip of the stylus and insert the other edge by pressing toward direction "C".
2. Push the stylus up toward direction "D" until it locks at the tip.

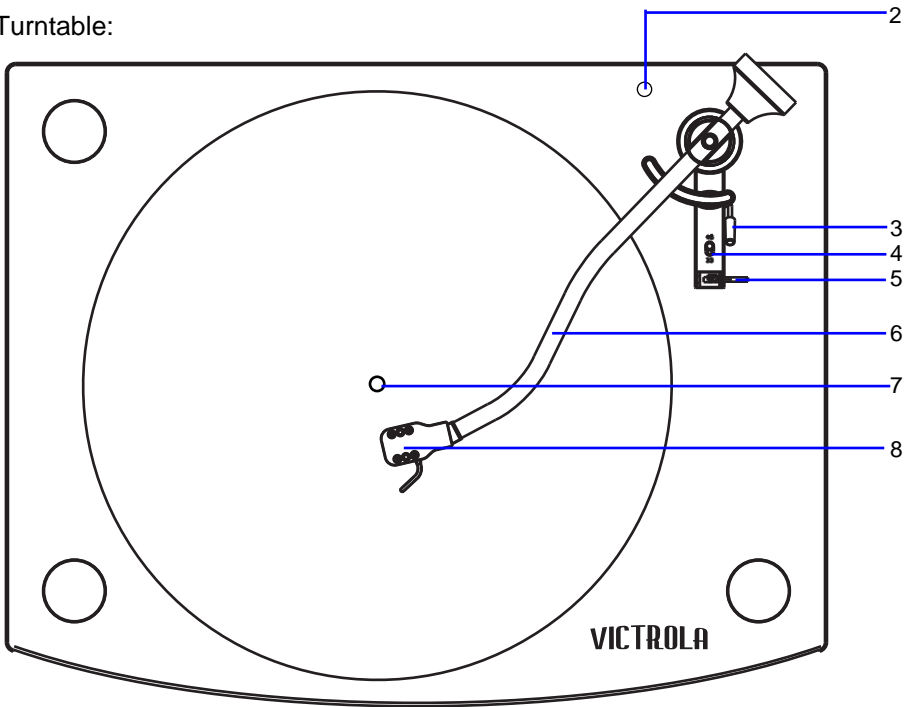


## PRODUCT OVERVIEW

### Speaker:



### Turntable:

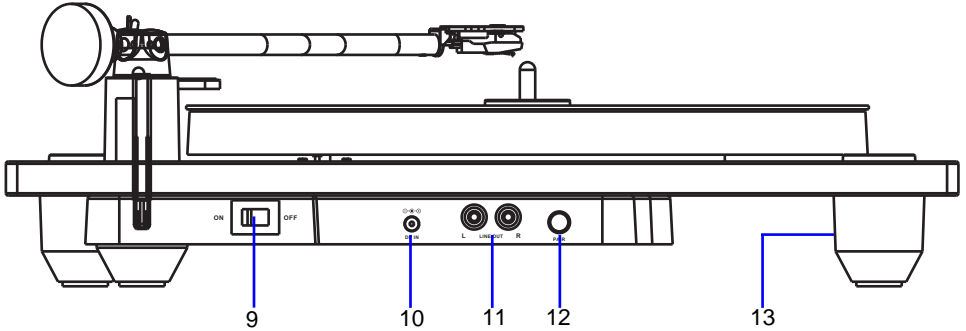


1. Speaker
2. Bluetooth Indicator
3. Cue Lever
4. Speed Selector

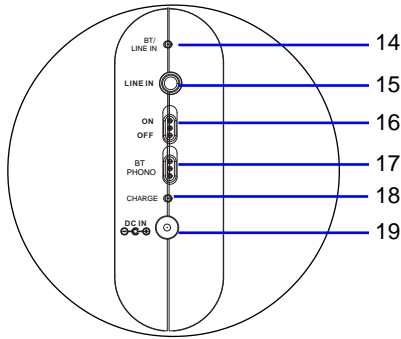
5. Tone Arm Holder and Clip
6. Tone Arm
7. Turntable Cartridge
8. Stylus Cartridge

# PRODUCT OVERVIEW

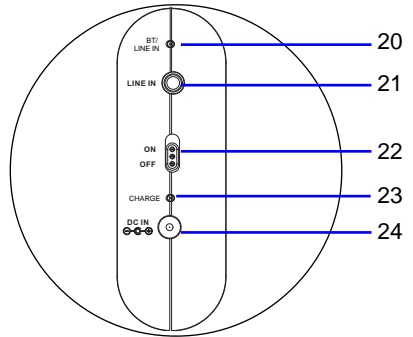
## Rear View of Turntable:



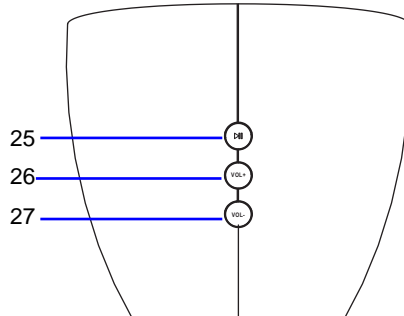
## Rear View of Main Speaker:



## Rear View of Deputy Speaker:



## Top View of Main & Deputy Speaker:



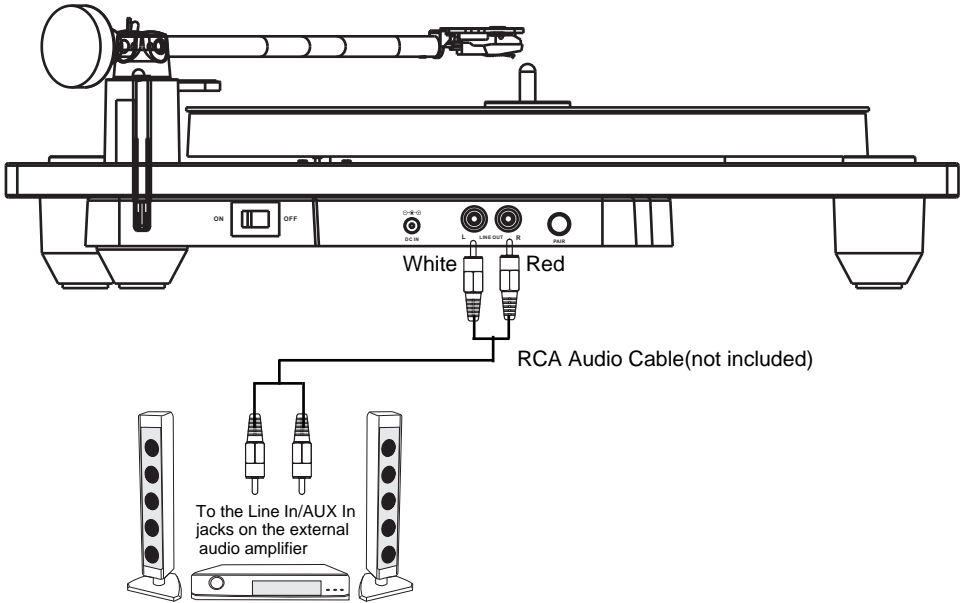
- 9. Power ON/OFF Switch
- 10. DC IN Jack
- 11. LINE OUT Jacks
- 12. PAIR Button
- 13. Turntable feet
- 14. BT/LINE IN Indicator
- 15. LINE IN Jack

- 16. Power ON/OFF Switch
- 17. BT/PHONO Switch
- 18. Charge Indicator
- 19. DC IN Jack
- 20. BT/LINE IN Indicator
- 21. LINE IN Jack
- 22. Power ON/OFF Switch

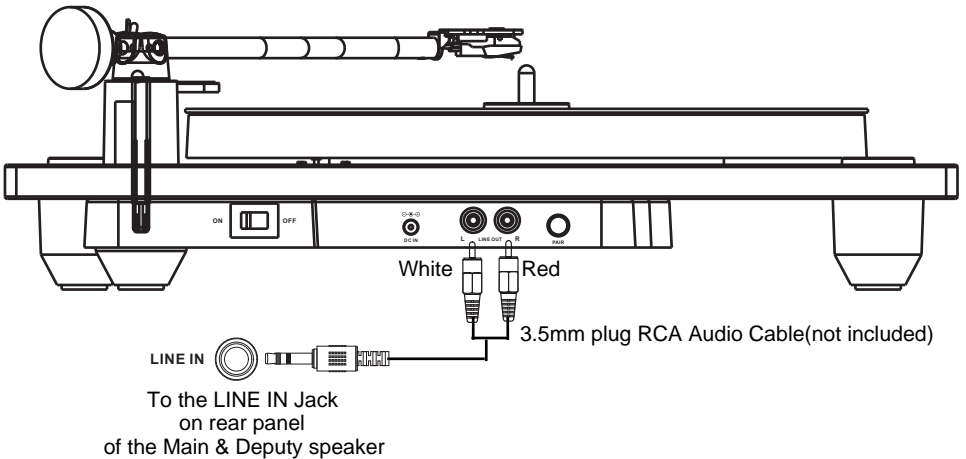
- 23. Charge Indicator
- 24. DC IN Jack
- 25. Play/Pause Button
- 26. Volume Up Button
- 27. Volume Down Button

## CONNECTIONS

- ① Connect the Turntable through LINE OUT Jacks to the external amplifier



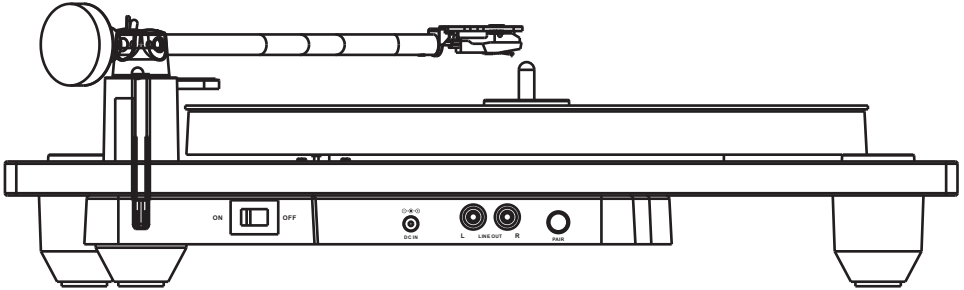
- ② Connect the Turntable through LINE OUT Jacks to the LINE IN jack of the speaker



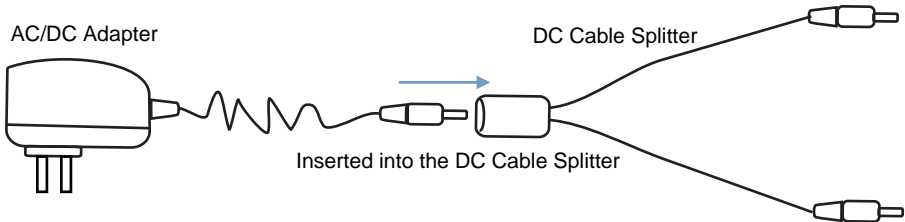
## CHARGING AND CONNECTIONS

### Powering the Turntable:

Method 1: Insert one end of the AC/DC adapter plug into the DC IN Jack of the Turntable, plug another end of the AC/DC Adapter into the AC Walloutlet.



Method 2: Insert the AC/DC Adapter plug into the DC Cable Splitter, plug one end of DC Cable Splitter into the DC IN Jack of the Turntable, then plug another end of the AC/DC Adapter into the AC Walloutlet.



### Recharging the Main & Deputy Speakers:

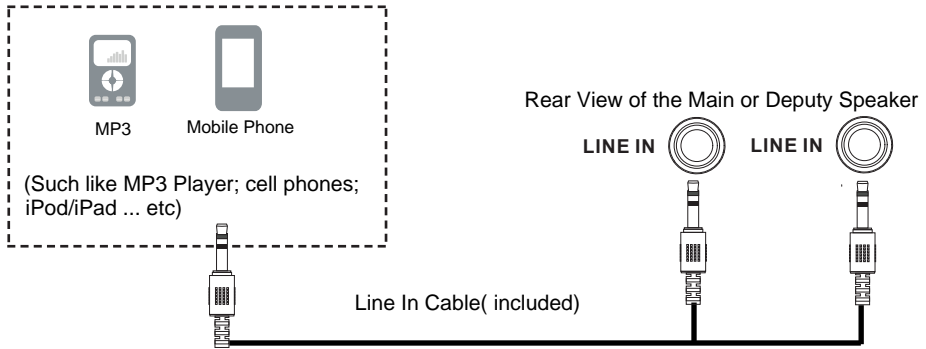
Insert the AC/DC Adapter plug into the DC Cable Splitter, plug each end of DC Cable Splitter into the DC IN Jack of both speakers, then plug another end of the AC/DC Adapter into the AC Walloutlet.

During recharging, the CHARGE Indicator will light up, after fully charged, the CHARGE Indicator will turn off.

# LINE IN AND LINE OUT

## LINE IN:

1. Connect one end of the audio connection cable to the Phones jack; Line out jack or AUX out jack on the external audio player.
2. Connect the other end to the LINE IN jack of the Speaker as the illustrated below:



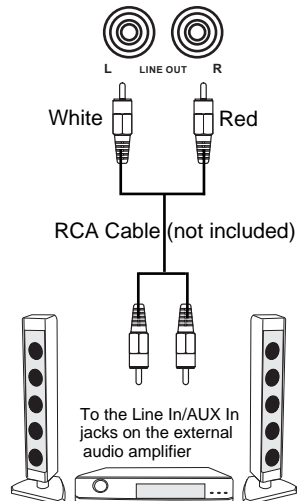
3. Power on the speaker.
4. Plays the music on the connected external audio player as usual.

### NOTE:

- When both of the Main speaker and deputy speaker are paired with each other, only insert the LINE IN Cable into the LINE IN Jack of the main unit, it will enter into LINE IN mode automatically, the LINE IN Indicator will turn RED.
- The Deputy speaker will enter line in mode if the LINE IN cable inserted during paired with the Main Speaker .

## LINE OUT:

1. Connect one end of the RCA audio connection cable to the Line IN jacks or LINE IN jacks on the external audio amplifier.
2. Connect the other end of the cable to the LINE OUT jacks on the rear of turntable as the illustrated on right.
3. Power on the unit and play music as usual.
4. Power on the external audio amplifier and set it to LINE IN mode to play the music.



# LISTENING TO A RECORD

## NOTE:

Before operation, detach the stylus guard ( white plastic cover ) by pulling it straight off the front of the cartridge.



1. Switch on the two speakers first, wait both speaker paired with each other, the Indicator on main speaker will flash when connected.

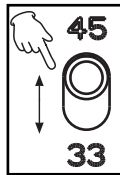
NOTE: Press the PAIR button to pair with the two speakers if connection is unsuccessful.

2. Switch on the turntable, bluetooth indicator on turntable will flash, after a few seconds, the turntable will be paired to the two speakers automatically, and the bluetooth indicator on turntable will stay lit.

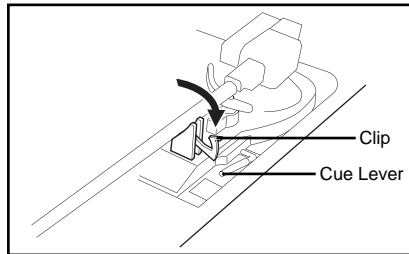
3. Slide the BT/PHONO switch to PHONO mode. Place a record on the center spindle.

Note: If you are playing a 45 RPM Single (small size record), place the 45 RPM adapter to the center spindle then place the record on it.

4. Slide the Speed selector to 33 or 45 to match the play speed of the record.



5. Unlock the Tone Arm from the holder as the illustrated below:



6. Raise the Cue Lever to raising the Tone Arm then move it to the top of the desired location of the record. Release the Lever to put the Tone Arm onto the record. It will start playing.
7. When finished playing, move the Tone Arm back to Holder.  
Release the Cue Lever then lock the Tone Arm on the Holder.

## Note:

- Press and hold the **▶|** button on main speaker to disconnect the connection with the turntable.
- **Do not insert the LINE IN Cable into the LINE IN jack of the Main speaker.**
- **Please restart both speakers and the Turntable if all of them are not responding.**

# LISTENING THROUGH BLUETOOTH

## OPERATION WITH TWO SPEAKERS

1. Switch on the two speakers.
2. Slide the BT/PHONO switch to BT position, the bluetooth indicator will blink, they will pair with each other automatically, the bluetooth indicator blinks on main speaker after successful connection (the bluetooth indicator will stay lit on deputy speaker).
3. Activate the bluetooth function on your external device, and try searching, the pairing name "VM-100" will appear on the pairing name list. Select it and register in your player.
4. After successful connection, the main speaker will send a tone.
5. Play the music as usual.
6. Press and hold the **▶||** button on main speaker to disconnect the connection with external bluetooth device.

During playing:

- Press the **▶||** button to switch between pause and playing.
- Press VOL+ or VOL - button to adjust the volume.

**Note:**

- **When the LINE IN Cable inserted in, it will be LIEN IN mode automatically.**
- **The main speaker will automatically connect with the last paired device after first time pairing.**

## OPERATION WITH SINGLE SPEAKER

1. Switch on main speaker or deputy speaker, (if using main speaker, slide the BT/PHONO switch to BT position)the bluetooth indicator will blink.
2. Activate the bluetooth function on your external device, and try searching, the pairing name "VM-100" will appear on the pairing name list. Select it and register in your player.
3. After successful connection, the bluetooth indicator will stay lit.
4. Play the music as usual.
5. Press and hold the **▶||** button on speaker to disconnect the current connection with external bluetooth device.

During playing:

- Press the **▶||** button to switch between pause and playing.
- Press VOL+ or VOL - button to adjust the volume.

**Note:**

- **When the LINE IN Cable inserted, it will be LIEN IN mode automatically.**
- **The unit can be automatically connected with the last paired device after first time pairing.**
- **Please restart both speakers and the Turntable if all of them are not responding.**



# TROUBLESHOOTING

If you experience any problems with the unit, please take a moment to look through and see if you can solve the problem yourself before calling for help.

## **NO POWER**

Check the connection to AC power source. Check and make sure the AC power source is not a switched outlet and if it is, the switch is turned on. Make sure there is power to the AC outlet by plugging another item such as a lamp or fan.

## **NO SOUND**

Adjust the volume.

## **NOISY SOUND**

The unit is too close to a TV set or similar appliances. Relocate the unit further away from them, or turn the other appliances off.

## **RECORD PLAYER (can not play)**

- Detach the stylus guard.

(The stylus guard is a white plastic cover that protects the stylus during transportation.

Failing to remove this guard will not allow the needle to contact the grooves of the record and no sound will be heard!)

- If the stylus is worn-out, change the stylus.

## **SOUND SKIPS**

- Place the unit on a stable surface to avoid vibration and shock. Make sure the unit is level both front to back and side to side.
- Clean the surface of the record.
- Don't use scratched, damaged or warped records.

## **BEAWARE OF CONDENSATION**

When the unit(or a record ) is moved from a cold to warm place, or used after a sudden temperature change, there is the danger of condensation, vapor in the air could condense on the internal mechanism, making correct operation erratic or impossible. To prevent this, or if this occurs, leave the unit turned on for one or two hours. The unit will stabilize at the temperature of its surroundings.

## **MAINTAINENCE**

Always keep the turntable clean.

If the surface of the unit gets dirty, wipe with a soft cloth or use a diluted mild liquid soap.

Be sure to remove any excess liquid completely. Do not use thinner, benzine or alcohol as they may damage surface of the unit. Allow the surface of the unit. Allow the surface of the unit to dry completely before using.

# SPECIFICATIONS

Power requirement.....	DC9V  2A  
Speaker output power.....	2X10W(RMS)
Bluetooth working range.....	32feet
Turntable speed.....	33 rpm, 45rpm
Speaker recharge time.....	about 2-3 hour
Speaker running time.....	about 4 hour(at 50%volume)
Speaker built-in battery.....	7.4V, 2000mAh

Design and specifications are subject to change without notice.

## **Accessories:**

- 1 X Instruction Manual
- 1 X AC/DC Adapter
- 1 X DC Cable Splitter
- 1 X Line In Cable