

EXHIBIT A - FCC ID LABELING AND LOCATION

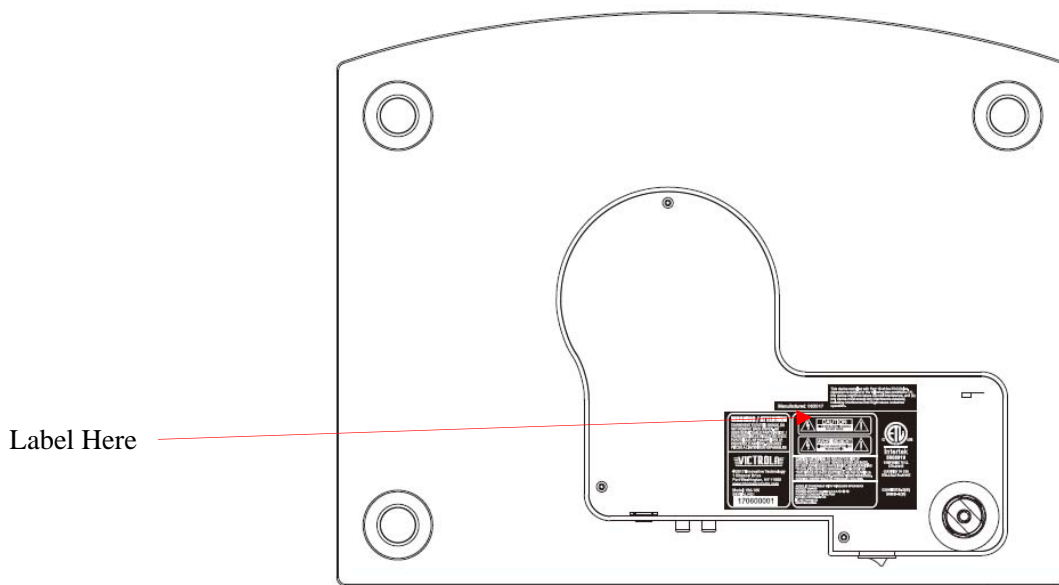
FCC ID Label

This device complies with Part 15 of the FCC Rules. Operation is subject to the following two conditions: (1) this device might not cause harmful interference, and (2) this device must accept any interference received, including interference that might cause undesired operation.

Manufactured: 062017

<p>WARNING / ATTENTION TO PREVENT ELECTRIC SHOCK, DO NOT REMOVE BACK COVER. NO USER SERVICEABLE PARTS INSIDE / POUR RÉDUIRE LE RISQUE DE CHOC ÉLECTRIQUE, NE PAS RETIRER LE COUVERCLE ARRIÈRE. AUCUNES PIÈCES À L'INTÉRIEUR RÉPARABLES</p> <p style="text-align: center;">VICTROLA</p> <p>©2017 Innovative Technology 1 Channel Drive Port Washington, NY 11050 www.ithomeproducts.com</p> <p>Model: VM-100 SERIAL NO: 170600001</p>	<div style="border: 1px solid black; padding: 5px; text-align: center;"> <p>CAUTION RISK OF ELECTRIC SHOCK DO NOT OPEN</p> </div> <div style="border: 1px solid black; padding: 5px; text-align: center;"> <p>AVERTISSEMENT RISQUE DE CHOC ÉLECTRIQUE NE PAS OUVRI</p> </div> <p>CAUTION / ATTENTION: TO REDUCE THE RISK OF ELECTRIC SHOCK, DO NOT REMOVE COVER (OR BACK). NO USER SERVICEABLE PARTS INSIDE. REFER SERVICING TO QUALIFIED SERVICE PERSONNEL. / AFIN D'ÉVITER TOUT RISQUE DE CHOC ÉLECTRIQUE, NE PAS OUVRI LA COUVERTURE (OU LE DOS). AUCUNE PIÈCES RÉPARABLE. CONFIER L'ENTRETIEN À UN PERSONNEL QUALIFIÉ.</p> <p>ACRYLIC TURNTABLE WITH WIRELESS SPEAKERS MODEL: VM-100 POWER SUPPLY: DC=9V,2.0A Ⓞ-Ⓞ POWER CONSUMPTION: 30W FCC ID: 2AFHW-VM100 IC: 9577A-VM100 MADE IN CHINA</p>	<p>ETL LISTED US</p> <p>Intertek 5008919 CONFORMS TO UL STD.60065 CERTIFIED TO CSA STD.C22.2 No.60065</p> <p>CAN ICES-3(B) /NMB-3(B)</p>
--	---	--

Proposed FCC ID Label Location



The label shown shall be permanently affixed at a conspicuous location on the device and be readily visible to the user at the time purchase (Labeling requirements per 2.925)