

Instruction Manual

MODEL: VC-150

CLOCK RADIO



CAUTION: To reduce the risk of fire or electric shock, do not expose this appliance to rain or moisture.

WARNING: To prevent electric shock, do not use this (polarized) plug with an extension cord, receptacle or other outlet unless the blades can be fully inserted to prevent blade exposure.

IMPORTANT SAFETY INSTRUCTIONS

1. Read these instructions – All the safety and operating instructions should be read before this product is operated.
2. Keep these instructions –The safety and operating instructions should be retained for future reference.
3. Heed all warnings – All warnings on the appliance and in the operating instructions should be adhered to.
4. Follow all instructions – All operating and use instructions should be followed.
5. Do not use this apparatus near water – The appliance should not be used near water or moisture – for example, in a wet basement or near a swimming pool, and the like.
6. Clean only with dry cloth.
7. Do not block any ventilation openings. Install in accordance with the manufacturer's instructions.
8. Do not install near any heat sources such as radiations, heat registers, stoves, or other apparatus (including amplifiers) that produce heat.
9. Do not defeat the safety purpose of the polarized or grounding plug. A polarized plug has two blades with one wider than the other. A grounding plug has two blades and a third grounding prong. The wide blade or the third prong is provided for your safety. If the provided plug does not fit into your outlet, consult an electrician for replacement of the obsolete outlet.
10. Protect the power cord from being walked on or pinched particularly at the plugs, convenience receptacles, and at the point where they exit from the apparatus.
11. Only use attachments/accessories specified by the manufacturer.
12. Use only with the cart, stand, tripod, bracket, or table specified by the manufacturer, or sold with the apparatus. When a cart or rack is used, use caution when moving the cart/apparatus combination to avoid injury from tip-over.
13. Unplug the apparatus during lightning storms or when unused for long periods of time.
14. Refer all servicing to qualified personnel. Servicing is required when the apparatus has been damaged in any way, such as power supply cord or plug is damaged, liquid has been spilled or objects have fallen into the apparatus has been exposed to rain or moisture, does not operate normally, or has been dropped.




15.



-This lightning flash with arrowhead symbol within an equilateral triangle is intended to alert the user to the presence of non-insulated "dangerous voltage" within the product's enclosure that may be of sufficient magnitude to constitute a risk of electric shock.

-Warning: To reduce the risk of electric shock, do not remove cover (or back) as there are no user-serviceable parts inside. Refer servicing to qualified personnel.

-The exclamation point within and equilateral triangle is intended to alert the user to the presence of important operating and maintenance instructions in the literature accompanying the appliance.

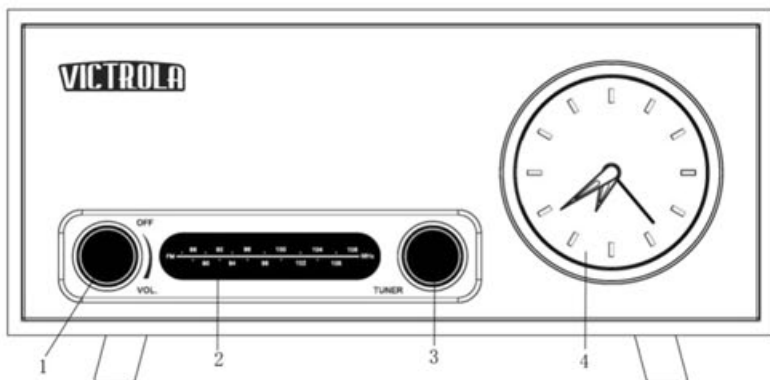
16.  This equipment is a Class II or double insulated electrical appliance. It has been designed in such a way that it does not require a safety connection to electrical earth.
17. The mains plug is used as disconnect device, the disconnect device shall remain readily operable.
18. **WARNING**
To reduce the risk of fire or electric shock, do not expose this apparatus to rain or moisture. The apparatus shall not be exposed to dripping or splashing and that no objects filled with liquids, such as vases, shall not be placed on apparatus.
19. The use of the equipment in moderate climate.
20. The ventilation should not be impeded by covering the ventilation openings with items such as, newspapers, tablecloths, curtains, etc.
21. No naked flame sources, such as lighted candles, should be placed on the apparatus.
22. The symbol with \sim Indication AC voltage.
23. The symbol with --- indicate DC voltage.
24. The batteries (battery pack or batteries installed) shall not be exposed to excessive heat such as sunshine, fire or the like.
25. Attention should be drawn to the environmental aspects of battery disposal.
26. **CAUTION:** These servicing instructions are for use by qualified service personnel only. To reduce the risk of electric shock, do not perform any servicing other than that contained in the operating instructions unless you are qualified to do so.

ACCESSORIES INCLUDED:

- INSTRUCTION MANUAL
- WARRANTY (BACK OF MANUAL)

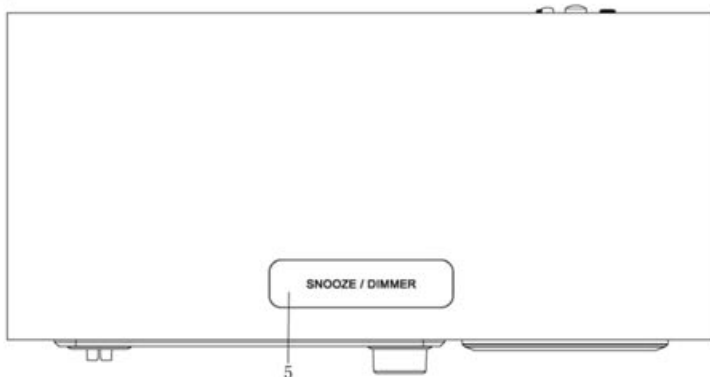
PRODUCT OVERVIEW

Front View



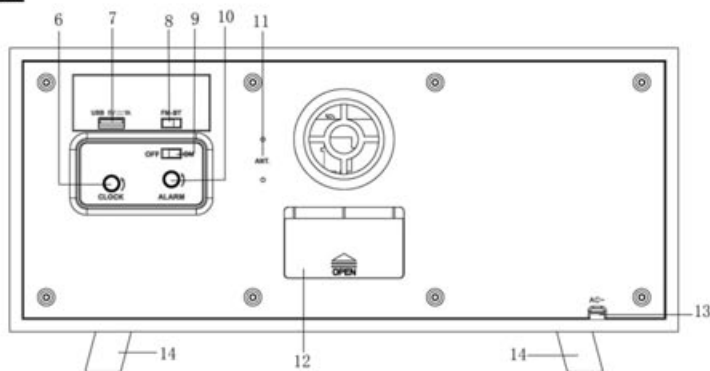
1. **OFF/VOLUME:** Rotate clockwise to turn the unit ON. Rotate counter-clockwise to turn OFF. When unit is ON, rotate to adjust the volume.
2. **ANALOG RADIO**
3. **RADIO TUNER KNOB:** In FM mode, turn knob to tune to desired station.
4. **CLOCK DISPLAY**

Top View



5. **SNOOZE/DIMMER:**
SNOOZE: When the alarm sounds, press to snooze alarm.
DIMMER: Touch lightly to adjust the brightness of the LED clock display.

Rear View



- 6. CLOCK KNOB:** Press and rotate dial to set the clock time.
- 7. USB CHARGING PORT:** In OFF or Bluetooth mode, it will charge an external device.
- 8. FM-BT:** Slide to select function. (FM Radio, Bluetooth)
- 9. ON/OFF:** Slide to turn on or off the alarm time.
- 10. ALARM:** Rotate to set the alarm time.
- 11. FM WIRE ANTENNA**
While tuned to a station in FM mode, extend the wire and reposition to adjust for best reception.
- 12. BATTERY COMPARTMENT**
- 13. AC POWER CORD:** Connect the AC plug into a wall outlet.
It is strongly recommended that this product be operated only from the type of power source indicated on the marking label.
- 14. FEET**

SETUP / BASIC OPERATION

BATTERY OPERATION

1. Remove the battery compartment door at the back of unit.



2. Insert two (2) AAA batteries (not included) into the battery compartment, making sure that the batteries are installed in the designated numerical order and that the proper polarities (+ and -) are maintained.

Note: The batteries are used for memory backup function only.

Battery Precautions

Be sure to insert the batteries with correct positive "+" and negative "-" orientation.

ALWAYS use batteries of the same type. Never mix different types of batteries together.

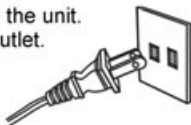
When using rechargeable batteries, refer to the precautions on their labels.

Do not heat or disassemble batteries, and NEVER dispose of old batteries by throwing them in a fire.

Do not dispose device into standard garbage disposal sites. Dispose of device at available Battery Recycling Sites after fully discharging battery. Not doing so may violate disposal laws and regulations. Please refer to local regulations for proper battery disposal.

Setup

1. Remove any packaging materials from the unit.
2. Connect the AC power cord to a wall outlet.



Note:

- It is strongly recommended that this product should be operated only from the type of power source indicated on the marking label.
- To prevent interference, avoid bundling audio signal cables together with the AC power cord.

Basic Operation

1. Rotate the OFF/VOLUME knob clockwise to turn on the unit.
2. Select the source by sliding the FM-BT button.
3. Rotate the VOLUME knob to adjust to the desired sound level.

CONDENSATION WARNING:

When the unit is moved from a cold or warm place, or is used following a sudden temperature change, there is the danger that water vapor in the air may condense on the unit, preventing proper operation. In such cases, leave the unit for 1-2 hours after plugging it into an AC outlet to allow it to stabilize at the temperature of its surroundings.

LISTENING TO FM RADIO

1. Slide the **FM-BT** switch on FM function.
2. Tune to the desired station by using the Radio Tuner Knob.
3. Rotate the OFF/VOLUME knob to adjust your desired volume.

LISTENING TO AN EXTERNAL AUDIO DEVICE (BT MODE)

In BT (Bluetooth) mode, this unit can play music from an external device with the Bluetooth feature.

GETTING CONNECTED USING BLUETOOTH

1. Rotate the OFF/VOLUME knob clockwise to turn on the unit.
2. Slide the FM-BT switch to the BT function.
3. On your external device, turn the Bluetooth function ON.
NOTE: The effective distance between your external device and this apparatus is 10 meters (33ft).
4. Wait a moment for "VC-150" to appear on the devices list. Press "VC-150" to connect to the unit. If asked for a password. Use "0000", then press OK on your external device.
5. Skip to the previous/next track from your external device.
6. You can adjust the sound level by rotating OFF/VOLUME knob or control on your external device.

SETTING THE TIME

1. Press the CLOCK button and rotate the CLOCK knob clockwise or counter-clockwise at the same time to adjust the minute and hour time.

(The minute pointer will vary with the adjustment of the hour pointer).

2. Once you set successfully, you just release the button.

NOTE: Once the power cord is connected or batteries are installed, the clock will work.

SETTING THE ALARM

1. Slide the ON/OFF switch to ON to activate the alarm.

2. Rotate the ALARM knob to set the alarm time.

3. When the alarm sounds, slide the alarm switch to OFF to turn off the alarm.

SNOOZE FEATURE

1. To snooze the alarm, touch the SNOOZE/DIMMER button. The alarm will snooze for approximately five (5) minutes.

2. To cancel the snooze feature and alarm sound, slide the ON/OFF alarm switch to OFF.

CHARGING AN EXTERNAL DEVICE

1. Connect the AC plug to a wall outlet.

2. Plug a USB cable (not included) into the USB port of the speaker. Plug the other end of the USB cable into a Smartphone or an external device.

3. The unit will charge the device automatically.

NOTE: Charging function only works in Bluetooth mode or when the unit is OFF.

DIMMER FEATURE

Lightly touch the SNOOZE/DIMMER button to cycle through the three (3) brightness settings.

SPECIFICATIONS

GENERAL

| | |
|------------------------------|-------------------------------------|
| Power Requirements | AC 120 V~ 60 Hz |
| Battery for Clock | 2 X AAA size |
| Power Consumption | 11W |
| Dimensions (W x H x D) | 13 in x 5.51 in x 5.98 in (approx.) |
| | 330 x 140 x 152mm (approx.) |
| Weight | 4.17 lbs (approx.) |
| | 1.89 kg. (approx.) |

AMPLIFIER

| | |
|--------------------------|------------------|
| Output Power | 5W |
| Frequency Response | 60 to 20, 000 Hz |

SPEAKER SYSTEM

| | |
|-------------------|----------|
| Type | 1-way |
| Impedance | 6 ohms |
| Input Power | Max. 10W |

FM RADIO

| | |
|-------------|---------------|
| Range | 88 to 108 MHz |
|-------------|---------------|

BLUETOOTH

| | |
|---------------------------------|---------------------|
| Bluetooth Version | Bluetooth V2.1+EDR |
| Bluetooth Profiles | A2DP, AVRCP |
| Bluetooth Frequency range | 2.402GHz-2.480GHz |
| Operating Distance | 33 feet / 10 meters |

USB

| | |
|-----------------------------|-------|
| USB port for charging | 5V=1A |
|-----------------------------|-------|

TROUBLESHOOTING GUIDE

| | Symptom | Possible Cause | Solution |
|------------------|---|---|---|
| GENERAL | • Unit will not power on. | • Unit is unplugged. | • Connect the unit to the AC power supply. |
| | • No sound output from speakers. | • The volume level is set too low. • The input selector does not match the playback source. | • Adjust the volume. • Select the correct input source. |
| | • Noise/Distortion in sound output. | • The unit is too close to a TV set or another interfering device. | • Turn off the TV or other appliance, and relocate the unit. |
| | • Unit fails to respond. | • It might result from external factors such as ESD (Electro-static discharge). | • Disconnect the power cord and external audio device. Re-plug the power cord after one minute. |
| FM RADIO | • Cannot listen to any station, or signal appears weak. | • The station is not tuned-in properly. • A TV set is being used nearby and is interfering with the radio reception. | • Properly tune-in the desired station. • Turn-off the interfering TV set. |
| | • The sound is distorted. | • The antenna is not oriented properly. | • Re-orient the antenna until reception improves. |
| BLUETOOTH | • No sound. | • The unit is not switched to Bluetooth mode. • Your device's and/or the unit's volume is not turn up. • Your device is too far from the unit or there're some obstacle between your device and the unit. | • Ensure the unit is switched to BT mode. • Move your Bluetooth device closer to unit • Turn up the volume on your portable device and/or the unit. • Turn OFF your Bluetooth device and unit. Then power them both back ON. |
| | • Sound has a lot of static. | • Your device is too far away. | • Bring your device closer to the turntable. |
| | • Unable to pair with a Bluetooth device. | • Your device doesn't have Bluetooth connectivity. • The Bluetooth pairing is not successful. | • Confirm that your device is Bluetooth compatible. • Re-pair the unit and device again. |

FCC STATEMENT

This device complies with Part 15 of the FCC Rules. Operation is subject to the following two conditions: (1) This device may not cause harmful interference, and (2) this device must accept any interference received, including interference that may cause undesired operation.

NOTE: This equipment has been tested and found to comply with the limits for a Class B digital device, pursuant to Part 15 of the FCC Rules. These limits are designed to provide reasonable protection against harmful interference in a residential installation. This equipment generates uses and can radiate radio frequency energy and, if not installed and used in accordance with the instructions, may cause harmful interference to radio communications. However, there is no guarantee that interference will not occur in a particular installation. If this equipment does cause harmful interference to radio or television reception, which can be determined by turning the equipment off and on, the user is encouraged to try to correct the interference by one of the following measures:

- Reorient or relocate the receiving antenna.
- Increase the separation between the equipment and receiver.
- Connect the equipment into an outlet on a circuit different from that to which the receiver is connected.
- Consult the dealer or an experienced radio/TV technician for help.

WARNING: Any changes or modifications not expressly approved by the party responsible for compliance could void the user's authority to operate this equipment.

The device must not be co-located or operating in conjunction with any other antenna or transmitter.

To maintain compliance with the FCC's RF exposure guidelines, place the product at least 20cm from nearby persons.

IC STATEMENT

This device complies with RSS247 of Industry Canada. Cet appareil se conforme à RSS247 de Canada d'Industrie. This device complies with Industry Canada license-exempt RSS standard(s). Operation is subject to the following two conditions: (1) this device may not cause interference, and (2) this device must accept any interference, including interference that may cause undesired operation of the device. Le présent appareil est conforme aux CNR d'Industrie Canada applicables aux appareils radio exempts de licence. Son fonctionnement est sujet aux deux conditions suivantes: (1) le dispositif ne doit pas produire de brouillage préjudiciable, et (2) ce dispositif doit accepter tout brouillage reçu, y compris un brouillage susceptible de provoquer un fonctionnement indésirable.

The device must not be co-located or operating in conjunction with any other antenna or transmitter. L'appareil ne doit pas être localisé ou fonctionner avec d'autres antennes ou transmetteurs.

This device complies with IC radiation exposure limits set forth for an uncontrolled environment. Cet appareil est conforme aux limites d'exposition aux rayonnements de la IC établies pour un incontrôlé environnement.

The device should be installed and operated with a minimum distance of 20cm between the radiator and your body.

L'appareil doit être installé et utilisé avec une distance minimale de 20cm entre le radiateur et votre corps.

California PROP 65 Warning



WARNING: This product can expose you to chemicals including lead which is known to the State of California to cause cancer. For more information go to www.P65Warnings.ca.gov.

Please note: As a result of continual improvements, the design and specifications of this product are subject to change without notice.

Bluetooth is a registered trademark of Bluetooth SIG, Inc.

Other trademarks and trade names are those of their respective owners.

Made in China.