

尺寸: 143*210mm+/-2mm , 正反面黑白印刷
材质:80g书纸

VICTROLA™



THE BOOMBOX

**MODEL: VBB-20
INSTRUCTION MANUAL**

PLEASE READ THIS INSTRUCTION MANUAL CAREFULLY BEFORE USE
AND KEEP IT FOR FUTURE REFERENCE.



CAUTION: To reduce the risk of fire or electric shock, do not expose this appliance to rain or moisture.

WARNING: To prevent electric shock, do not use this (polarized) plug with an extension cord, receptacle or other outlet unless the blades can be fully inserted to prevent blade exposure.

IMPORTANT SAFETY INSTRUCTIONS

1. Read these instructions – All the safety and operating instructions should be read before this product is operated.
2. Keep these instructions –The safety and operating instructions should be retained for future reference.
3. Heed all warnings – All warnings on the appliance and in the operating instructions should be adhered to.
4. Follow all instructions – All operating and use instructions should be followed.
5. Do not use this apparatus near water – The appliance should not be used near water or moisture – for example, in a wet basement or near a swimming pool, and the like.
6. Clean only with dry cloth.
7. Do not block any ventilation openings. Install in accordance with the manufacturer's instructions.
8. Do not install near any heat sources such as radiations, heat registers, stoves, or other apparatus (including amplifiers) that produce heat.
9. Do not defeat the safety purpose of the polarized or grounding plug. A polarized plug has two blades with one wider than the other. A grounding plug has two blades and a third grounding prong. The wide blade or the third prong is provided for your safety. If the provided plug does not fit into your outlet, consult an electrician for replacement of the obsolete outlet.
10. Protect the power cord from being walked on or pinched particularly at the plugs, convenience receptacles, and at the point where they exit from the apparatus.
11. Only use attachments/accessories specified by the manufacturer.
12. Use only with the cart, stand, tripod, bracket, or table specified by the manufacturer, or sold with the apparatus. When a cart or rack is used, use caution when moving the cart/apparatus combination to avoid injury from tip-over.
13. Unplug the apparatus during lightning storms or when unused for long periods of time.
14. Refer all servicing to qualified personnel. Servicing is required when the apparatus has been damaged in any way, such as power supply cord or plug is damaged, liquid has been spilled or objects have fallen into the apparatus has been exposed to rain or moisture, does not operate normally, or has been dropped.






15.



-This lightning flash with arrowhead symbol within an equilateral triangle is intended to alert the user to the presence of non-insulated “dangerous voltage” within the product’s enclosure that may be of sufficient magnitude to constitute a risk of electric shock.

-Warning: To reduce the risk of electric shock, do not remove cover (or back) as there are no user-serviceable parts inside. Refer servicing to qualified personnel.

-The exclamation point within and equilateral triangle is intended to alert the user to the presence of important operating and maintenance instructions in the literature accompanying the appliance.

16.  This equipment is a Class II or double insulated electrical appliance. It has been designed in such a way that it does not require a safety connection to electrical earth.
17. The mains plug is used as disconnect device, the disconnect device shall remain readily operable.
18. **WARNING**
To reduce the risk of fire or electric shock, do not expose this apparatus to rain or moisture. The apparatus shall not be exposed to dripping or splashing and that no objects filled with liquids, such as vases, shall not be placed on apparatus.
19. The use of the equipment in moderate climate.
20. The ventilation should not be impeded by covering the ventilation openings with items such as, newspapers, tablecloths, curtains, etc.
21. No naked flame sources, such as lighted candles, should be placed on the apparatus.
22. The symbol with  Indication AC voltage.
23. The symbol with  indicate DC voltage.
24. The batteries (battery pack or batteries installed) shall not be exposed to excessive heat such as sunshine, fire or the like.
25. Attention should be drawn to the environmental aspects of battery disposal.
26. **CAUTION:** These servicing instructions are for use by qualified service personnel only. To reduce the risk of electric shock, do not perform any servicing other than that contained in the operating instructions unless you are qualified to do so.

ACCESSORIES INCLUDED:

- INSTRUCTION MANUAL
- WARRANTY (BACK OF MANUAL)
- AC POWER CORD

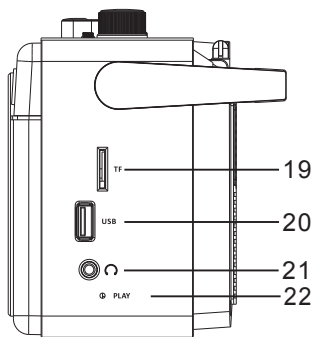
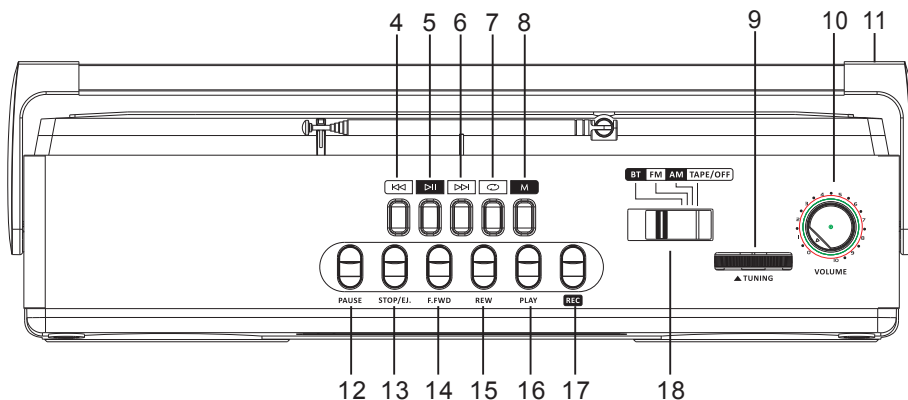
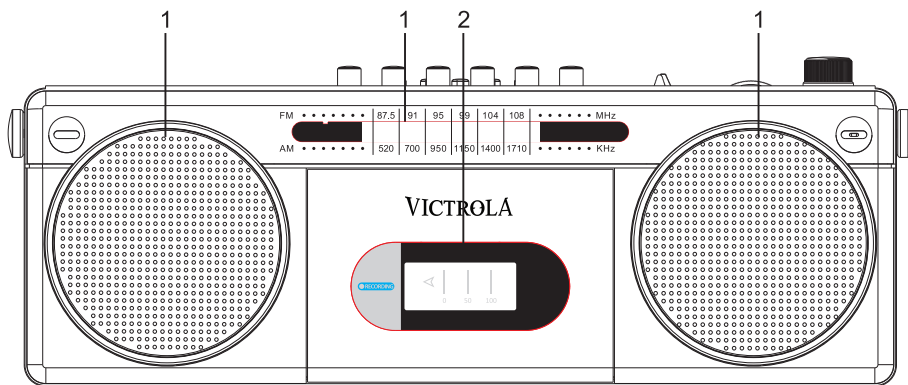
Design and specification are subject to change without notice.

Bluetooth is a registered trademark of Bluetooth SIG, Inc.

Other trademarks and trade names are those of their respective owners

This product is manufactured and sold by Innovative Technology Electronics LLC. Victrola and the Victrola logo are trademarks of Technicolor or its affiliates and are used under license by Innovative Technology Electronics LLC. Any other product, service, company, trade or product name and logo referenced herein are neither endorsed nor sponsored by Technicolor or its affiliates.

PRODUCT OVERVIEW

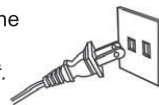


- | | |
|----------------------|-------------------------|
| 1. Speaker | 12. Pause Button |
| 2. Dial Scale | 13. Stop/Eject Button |
| 3. Tape Silo | 14. Fast Forward Button |
| 4. Prev/Rewind | 15. Rewind Button |
| 5. Play/Pause | 16. Play Button |
| 6. Next/Fast Forward | 17. Record Button |
| 7. Repeat | 18. Tuning Control |
| 8. Mode | 19. TF |
| 9. Band Switch | 20. USB |
| 10. Volume | 21. Phones |
| 11. folding handle | 22. PLAY |

SET UP / BASIC OPERATION

BASIC SET UP

1. Plug the provided AC Power Cord into the back of the unit, then insert plug into the nearest wall outlet. *Note: The unit can also be powered by 4x C (UM2) batteries (not included) by placing them in the battery compartment on the back of the unit.*
2. The unit will automatically be in Cassette Mode.
3. Use the Function Switch on the top of the unit to switch between Tape, FM, AM, and Bluetooth.
4. Use the Radio Tuning Dial to manually adjust the Radio.
5. Use the Volume Knob to manually adjust the volume.
6. To use Headphones, simply plug headphones (*not included*) into the Headphone Jack on the side of the unit. The built-in speaker will stop playing once the headphones are plugged in. Use the Volume Knob to manually adjust the volume.
7. To turn off the unit, slide the function switch to TAPE/OFF.
Note: Make sure the cassette player is stopped.



BATTERY PRECAUTIONS

- Be sure to insert the battery in the correct positive "+" and negative "-" orientation.
- When using rechargeable batteries, refer to the precautions on their labels.
- Do not heat or disassemble batteries and NEVER dispose of old batteries by throwing in a fire.
- Do not dispose the batteries into standard garbage disposal sites. Dispose of the batteries at an available Battery Recycling Site after fully discharging. No doing so may violate disposal laws and regulations. Please refer to local regulations for proper battery disposal.

CASSETTE OPERATION

Slide the function switch to TAPE/OFF, then follow the steps below:

1. Press the **STOP/EJ.** button. Insert the cassette tape, bottom side up with the tape facing you. Manually close the Cassette door.
2. **Play** - Press the PLAY BUTTON to start playing the tape.
3. **Pause** - Press the PAUSE button to stop the tape during recording or playback, press the pause button a second time the resume play or recording.
4. **Fast Forwarding and Rewind** - To fast forward or to rewind the tape, press the **F.FWD** or **REW** button. Press the **STOP/EJ.** button to stop the tape at the desired location.
5. **Automatic Stop (Auto Stop)** - When the cassette tape that is being played or recorded and reaches the end of the tape, it will automatically stop.
6. **Recording** - Install a cassette to record over. Press the **REC** button.
To record audio from another function, move the Function Switch to the desired position to record audio in that mode.

MIC recording

Press the **REC** button in TAPE mode, the Built-in Microphone will record all audible content. To stop recording, press the **STOP/EJ.** button. Rewind the tape to play back the recorded content. The MIC recording can only perform in TAPE mode.

RADIO OPERATION

AM RADIO

1. For AM Radio, slide the function switch to AM.
2. Use the Tuning Knob to manually adjust the Radio to the desired station. For the best reception, fully extend the antenna located on the top of the unit.

FM RADIO


1. For FM Radio, slide the function switch to FM.
2. Use the Tuning Knob to manually adjust the Radio to the desired station. For the best reception, fully extend the antenna located on the top of the unit.

BLUETOOTH / USB / TF (MICRO SD) OPERATION

BLUETOOTH MODE

1. Slide the function switch to BT (Bluetooth) Mode.
2. Make sure your external device has the Bluetooth turned on. Then open the Bluetooth settings menu on your device and select "**Victrola Boombox**". The **Play LED Indicator** will begin flashing.
3. The **Play LED Indicator** will stop flashing and an audible tone will sound, indicating the connection was successful.
5. Use the silver playback buttons on the control panel as usual or control playback directly from your external device.
6. To disconnect the external device, simply press the **M (Mode) Button**.

USB/TF (MICRO SD) MODE

1. Use the function switch to switch to BT (Bluetooth) Mode.
2. Insert a USB Thumb Drive or TF (Micro SD) Card (*not included*).
3. Press the **M (Mode) Button** until the unit starts playing music from the USB Thumb Drive or Card.
4. Use the silver playback buttons location on the control panel to control playback as usual.
5. The **Repeat Button**  sets the Thumb Drive or Card on repeat. Press once to activate.

Note: The USB/SD ports only support MP3/WMA formats and a maximum of 32GB.

Note: In USB/BT mode, after 15 minutes of inactivity the unit will enter sleep mode.

To turn the unit back on, simply press the play button or move the function switch.

SPECIFICATIONS

Product Weight.....	2.97 lbs (1.32 kg)
Product Dimensions	5.0" H x 13.7" W x 3.5" D 128mm H x 347mm W x 88mm D
Power Supply:	AC 120V~60Hz
Power:	DC 6V / 4x C (UM2) Batteries
Radio Bands:	AM, FM
Frequency Range:	FM 87.5-108MHz / AM 520-1710KHz
Consumption Power.....	8W
Speaker Output:	1.5W
Output Impedance.....	Speaker 6Ω x 2
Bluetooth:	Version: V5.0 Radiation Power <1mW Frequency Range: 2402~2480MHz

FCC STATEMENT

This device complies with Part 15 of the FCC Rules. Operation is subject to the following two conditions: (1) This device may not cause harmful interference, and (2) this device must accept any interference received, including interference that may cause undesired operation.

NOTE: This equipment has been tested and found to comply with the limits for a Class B digital device, pursuant to Part 15 of the FCC Rules. These limits are designed to provide reasonable protection against harmful interference in a residential installation. This equipment generates uses and can radiate radio frequency energy and, if not installed and used in accordance with the instructions, may cause harmful interference to radio communications. However, there is no guarantee that interference will not occur in a particular installation. If this equipment does cause harmful interference to radio or television reception, which can be determined by turning the equipment off and on, the user is encouraged to try to correct the interference by one of the following measures:

- Reorient or relocate the receiving antenna.
- Increase the separation between the equipment and receiver.
- Connect the equipment into an outlet on a circuit different from that to which the receiver is connected.
- Consult the dealer or an experienced radio/TV technician for help.

WARNING: Any changes or modifications not expressly approved by the party responsible for compliance could void the user's authority to operate this equipment.

The device must not be co-located or operating in conjunction with any other antenna or transmitter.

IC STATEMENT

This device complies with RSS247 of Industry Canada. Cet appareil se conforme à RSS247 de Canada d'Industrie. This device complies with Industry Canada license-exempt RSS standard(s). Operation is subject to the following two conditions: (1) this device may not cause interference, and (2) this device must accept any interference, including interference that may cause undesired operation of the device. Le présent appareil est conforme aux CNR d'Industrie Canada applicables aux appareils radio exempts de licence. Son fonctionnement est sujet aux deux conditions suivantes: (1) le dispositif ne doit pas produire de brouillage préjudiciable, et (2) ce dispositif doit accepter tout brouillage reçu, y compris un brouillage susceptible de provoquer un fonctionnement indésirable.

The device must not be co-located or operating in conjunction with any other antenna or transmitter. L'appareil ne doit pas être localisé ou fonctionner avec d'autres antennes ou transmetteurs. This device complies with IC radiation exposure limits set forth for an uncontrolled environment. Cet appareil est conforme aux limites d'exposition aux rayonnements de la IC établies pour un incontrôlé environnement.

CALIFORNIA PROP 65 WARNING



WARNING: This product can expose you to chemicals including lead, which is known to the State of California to cause cancer and birth defects or other reproductive harm. For more information go to www.P65Warnings.ca.gov.

WARRANTY

Innovative Technology Electronics LLC. Limited Warranty: 90 Days Labor, One Year Parts

Innovative Technology Electronics LLC. (IT) warrants the product to be free from “Defects” in materials under normal use for a period of “One Year” from the date of the original purchase. The Warranty is “Not” transferable. IT agrees, within the initial “90 Day” period, to repair or replace the product if it is determined to be defective at “No Charge”. It is further agreed that IT will cover the cost to repair or replace damaged “Parts” only for a total period of “One Year” from the date of the original purchase. The warranty does not cover cosmetic damage, antennas, AC cords, cabinets, headbands, ear-pads, or damage due to line power surges, connection to improper voltage supply or settings, misuse, mishandling, accident, acts of God or attempted repair by an unauthorized service agent.

To obtain service, the purchaser MUST present an original sales receipt / proof of purchase. Please contact us at www.victrola.com to request an RMA (Return Material Authorization) number to return products for service or replacement. Returns without an RMA number on the package will be refused and returned to sender. Upon receipt of the returning item and our full inspection (IT) may issue a replacement to customer for the same item or of one that has equivalent value and features. To return an item, supply full name, return address, phone number, item purchased, receipt of purchase and reason for return to obtain RMA number.

All returns must be in the original packaging or reasonable substitute to prevent damage. Customer “Must” include full name, shipping address and telephone number inside of package. No return will be shipped back to a PO Box or APO address.

Please include your check or money order in the amount of:

- **USD \$5.00 for items \$10.00 to \$39.99. (Price Paid Per Unit)**
- **USD \$10.00 for items \$40.00 to \$99.99. (Price Paid Per Unit)**
- **USD \$16.00 for items \$100.00 and up. (Price Paid Per Unit)**
- **Shipping fees are non-refundable.**

to be payable to Innovative Technology Electronics LLC. (for handling and return shipping charges) (IT) will not be responsible for delays or unprocessed claims resulting from a purchaser’s failure to provide any / all of the necessary information. Send all inquiries or RMA request via our website www.victrola.com/pages/technical-support.

Innovative Technology Electronics LLC.
1 Channel Drive
Port Washington, NY 11050
Toll free: 1-877-483-2497

Website for support: www.victrola.com/pages/technical-support

There are no express warranties except as listed above.

REPAIR OR REPLACEMENT AS PROVIDED UNDER THIS WARRANTY IS THE EXCLUSIVE REMEDY OF THE CUSTOMER, (IT) SHALL NOT BE LIABLE FOR ANY INCIDENTAL OR CONSEQUENTIAL DAMAGES FOR BREACH OF ANY EXPRESS OR IMPLIED WARRANTY ON THIS PRODUCT EXCEPT TO THE EXTENT PROHIBITED BY APPLICABLE LAW. ANY IMPLIED WARRANTY OF MERCHANTABILITY OR FITNESS FOR A PARTICULAR PURPOSE ON THIS PRODUCT IS LIMITED IN DURATION TO THE DURATION OF THIS WARRANTY.

Some states do not allow the exclusion or limitation of incidental or consequential damages, or limitations on how long an implied warranty lasts, so the above exclusions or limitations may not apply to you. This warranty gives you specific legal rights and you may also have other rights, which vary from state to state.

VICTROLA™



THE BOOMBOX

MODÈLE: VBB-20
MANUEL D'INSTRUCTION

S'IL VOUS PLAÎT LIRE CE MANUEL ATTENTIVEMENT AVANT UTILISATION ET CONSERVER POUR RÉFÉRENCE FUTURE.



AVERTISSEMENT: pour réduire les risques d'incendie ou de choc électrique, n'exposez pas l'appareil à la pluie ou à l'humidité.

AVERTISSEMENT: pour éviter les chocs électriques, n'utilisez pas cette fiche (polarisée) avec une rallonge, une prise ou une autre prise, à moins que les lames ne puissent être complètement insérées pour empêcher l'exposition des lames.

CONSIGNES DE SÉCURITÉ IMPORTANTES

1. Lisez ces instructions - Toutes les consignes de sécurité et de fonctionnement doivent être lues soigneusement avant d'utiliser le produit.
2. Conservez ces instructions - Les consignes de sécurité et de fonctionnement doivent être conservées pour référence future.
3. Respectez tous les avertissements - Tous les avertissements sur le produit et dans le manuel d'instructions de fonctionnement doivent être respectés.
4. Suivez ces instructions - Toutes les instructions de fonctionnement et d'utilisation doivent être suivies.
5. Ne pas utiliser cet appareil près de l'eau - L'appareil ne doit pas être utilisé près de l'eau ou de l'humidité - par exemple, dans un sous-sol humide ou près d'une piscine, et similaire.
6. Nettoyez-le uniquement avec un chiffon sec.
7. Ne pas bloquer les ouvertures de ventilation. Installer conformément aux instructions du fabricant.
8. Ne pas installer près d'une source de chaleur telle que des radiateurs, registres de chaleur, poêles ou autres appareils (incluant les amplificateurs) qui produisent de la chaleur.
9. Ne pas contourner les objectifs de sécurité de la prise polarisée ou la prise à terre. Une prise polarisée possède deux lames dont une plus large que l'autre. Une prise à terre a deux lames et une troisième broche de mise à la terre. La lame large ou la troisième broche sont fournies pour votre sécurité. Si la prise fournie ne rentre pas dans votre prise, consultez un électricien pour le remplacement de la prise obsolète.
10. Protégez le cordon d'alimentation en évitant piétiné ou pincé, en particulier au niveau des prises, des prises de courant, et au point où il sort de l'appareil.
11. N'utilisez que des fixations / accessoires spécifiés par le fabricant.
12. Utilisez uniquement avec le chariot, stand, trépied, support ou table spécifié par le fabricant, ou vendu avec l'appareil. Quand un chariot ou un support est utilisé, faites attention en déplaçant l'ensemble chariot / appareil pour éviter des blessures dues au renversement.
13. Débranchez l'appareil pendant les orages ou lorsqu'il n'est pas utilisé pendant de longues périodes de temps.
14. Confiez toute réparation à un personnel qualifié. Une réparation est nécessaire lorsque l'appareil a été endommagé de quelque façon que ce cordon d'alimentation ou la fiche est endommagé, du liquide a été renversé ou des objets sont tombés dans l'appareil, l'appareil a été exposé à la pluie ou à l'humidité, ne fonctionne pas normalement, ou s'il est tombé.



15.



- La foudre avec pointe de flèche dans un triangle équilatéral est destiné à alerter l'utilisateur de la présence d'une «tension dangereuse» non isolée dans l'enceinte du produit qui peut être d'une ampleur suffisante pour constituer un risque de choc électrique.

-Avertissement: Pour réduire le risque d'électrocution, ne retirez pas le couvercle (ou le dos) car il n'y a pas de pièces pouvant être réparées par l'utilisateur à l'intérieur. Reportez-vous à l'assistance à un personnel qualifié.

- Le point d'exclamation à l'intérieur et le triangle équilatéral est destiné à alerter l'utilisateur de la présence d'instructions d'utilisation et d'entretien importantes dans la documentation accompagnant l'appareil.

16.



Cet équipement est un appareil électrique classe II ou double isolé.

Il a été conçu de telle sorte qu'il ne nécessite pas de connexion de sécurité à la terre électrique.

17. La prise secteur sert comme dispositif de déconnexion, le périphérique déconnecté doit rester facilement accessible.

18. ATTENTION

Pour réduire le risque d'incendie ou de choc électrique, ne pas exposer cet appareil à la pluie ou à l'humidité.

L'appareil ne doit pas être exposé à des éclaboussures et aucun objet rempli de liquide, comme des vases, ne doit pas être placé sur l'appareil.

19. L'équipement doit toujours être utilisé dans un climat modéré.

20. La ventilation ne doit pas être entravée en recouvrant les ouvertures de ventilation avec des articles tels que journaux, nappes, rideaux, etc.

21. Aucune source de flamme nue, telle que des bougies allumées, ne doit être placée sur l'appareil.

22. Le symbole avec Indique la ~ tension alternative.

23. Le symbole avec Indique la — Tension continue.

24. Les batteries (batterie p (accus ou piles installées) ne doivent pas être exposées à une chaleur excessive telle que le soleil, le feu ou similaire.

25. Il convient d'attirer l'attention sur les aspects environnementaux de l'élimination des batteries.

26. ATTENTION, les instructions d'entretien concernent uniquement le personnel qualifié. Pour réduire le risque de choc électrique, n'effectuez aucun service autre que celui indiqué dans le mode d'emploi, sauf si vous

ACCESSOIRES INCLUS:

- MANUEL D'INSTRUCTIONS
- GARANTIE (À L'ARRIÈRE DU MANUEL)
- CORDON D'ALIMENTATION SECTEUR

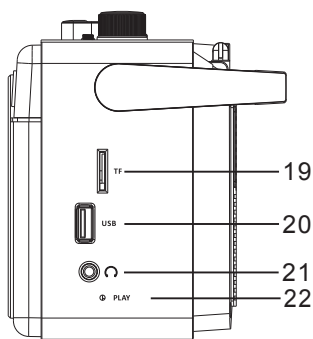
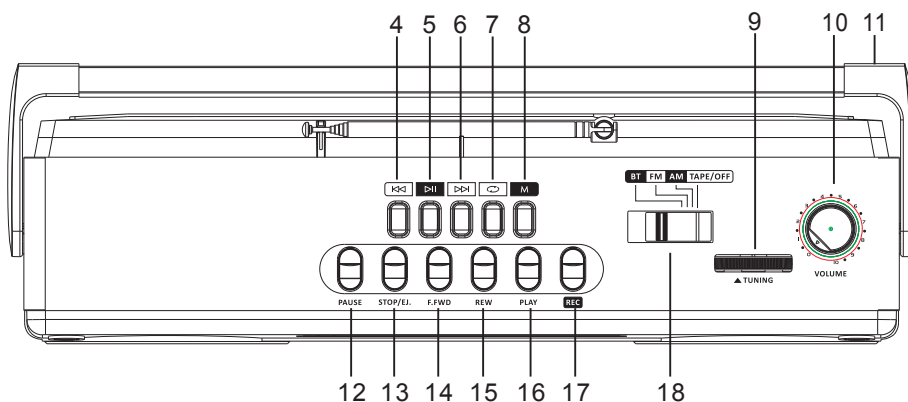
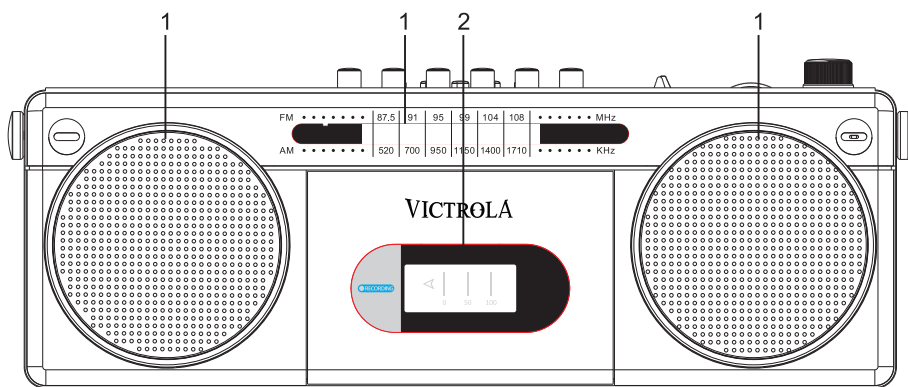
Conception et les spécifications sont sujettes à modification sans préavis.

Bluetooth est une marque déposée de Bluetooth SIG, Inc.

Les autres marques et noms commerciaux sont ceux de leurs propriétaires respectifs.

Ce produit est fabriqué et vendu par Innovative Technology Electronics LLC. Victrola et le logo Victrola sont des marques déposées de Technicolor ou de ses sociétés affiliées et sont utilisés sous licence par Innovative Technology Electronics LLC. Tout autre produit, service, entreprise, commerce ou nom de produit et logo référencés dans le présent document ne sont ni approuvés ni sponsorisés par Technicolor ou ses sociétés affiliées.

PRÉSENTATION DU PRODUIT

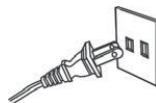


- | | |
|------------------------------|-----------------------------|
| 1. Haut-Parleur | 12. Bouton Pause |
| 2. Échelle du cadran | 13. Bouton Stop / Eject |
| 3. Cassette Silo | 14. Bouton d'avance rapide |
| 4. Précédent / Retour Rapide | 15. Bouton de rembobinage |
| 5. Lecture / Pause | 16. Bouton de lecture |
| 6. Suivant / Avance Rapide | 17. Bouton d'enregistrement |
| 7. Répétez | 18. Contrôle de réglage |
| 8. Mode | 19. TF |
| 9. Commutateur de bande | 20. USB |
| 10. Volume | 21. Téléphones |
| 11. Poignée Pliante | 22. JOUER |

OPÉRATION DE BASE

CONFIGURATION DE BASE

1. Branchez le cordon d'alimentation CA fourni à l'arrière de l'appareil, puis insérez la fiche dans la prise murale la plus proche. *Remarque: L'unité peut également être alimentée par 4 piles C (UM2) (non incluses) en les plaçant dans le compartiment à piles à l'arrière de l'unité.*
2. L'appareil sera automatiquement en mode cassette.
3. Utilisez l'interrupteur de fonction sur le dessus de l'appareil pour basculer entre la bande, FM, A et Bluetooth.
4. Utilisez le cadran de réglage de la radio pour régler manuellement la radio.
5. Utilisez le bouton de volume pour régler manuellement le volume.
6. Pour utiliser un casque, branchez simplement un casque (*non inclus*) dans la prise casque sur le côté de l'appareil. Le haut-parleur intégré arrêtera de jouer une fois le casque branché. Utilisez le bouton de volume pour régler manuellement le volume.
7. Pour éteindre l'appareil, faites glisser le sélecteur de fonction sur TAPE / OFF.
Remarque: assurez-vous que le lecteur de cassettes est arrêté.



PRÉCAUTIONS DES PILES

- Veillez à insérer la pile dans le bon sens positif «+» et négatif «-».
- Lorsque vous utilisez des piles rechargeables, reportez-vous aux précautions figurant sur leurs étiquettes.
- Ne chauffez pas et ne démontez pas les piles et ne jetez JAMAIS les vieilles piles en les jetant au feu.
- Ne jetez pas les piles dans des sites d'élimination des déchets standard. Jetez les batteries dans un site de recyclage de batteries disponible après une décharge complète. Ne pas le faire peut enfreindre les lois et règlements d'élimination. Veuillez-vous référer aux réglementations locales pour l'élimination appropriée de la batterie.

OPÉRATION CASSETTE

Faites glisser le sélecteur de fonction sur TAPE / OFF, puis suivez les étapes ci-dessous:

1. Appuyez sur le bouton **STOP / EJ**. Insérez la cassette, face inférieure vers le haut, face à vous. Fermez manuellement la porte de la cassette.
2. **Lecture** - Appuyez sur le bouton **PLAY** pour lancer la lecture de la cassette.
3. **Pause** - Appuyez sur le bouton **PAUSE** pour arrêter la bande pendant l'enregistrement ou la lecture, appuyez une deuxième fois sur le bouton pause pour reprendre la lecture ou l'enregistrement.
4. **Avance rapide et rembobinage** - Pour avancer rapidement ou rembobiner la bande, appuyez sur le bouton **F.FWD** ou **REW**. Appuyez sur **STOP / EJ** pour arrêter la bande à l'emplacement souhaité.
5. **Arrêt automatique (arrêt automatique)** - Lorsque la cassette en cours de lecture ou d'enregistrement atteint la fin de la bande, elle s'arrête automatiquement.
6. **Enregistrement** - Installez une cassette sur laquelle enregistrer. Appuyez sur le bouton **REC**. *Pour enregistrer de l'audio à partir d'une autre fonction, déplacez le sélecteur de fonction à la position souhaitée pour enregistrer l'audio dans ce mode.*

Enregistrement MIC

Appuyez sur le bouton **REC** en mode TAPE, le microphone intégré enregistrera tout le contenu audible.

Pour arrêter l'enregistrement, appuyez sur le bouton **STOP / EJ**. Rembobinez la bande pour lire le contenu enregistré.

L'enregistrement MIC ne peut être exécuté qu'en mode TAPE.

OPÉRATION RADIO

RADIO AM

1. Pour la radio AM, faites glisser le sélecteur de fonction sur AM.
2. Utilisez le bouton de réglage pour régler manuellement la radio sur la station souhaitée. Pour une meilleure réception, déployez complètement l'antenne située sur le dessus de l'appareil.

RADIO FM


1. Pour la radio FM, faites glisser le sélecteur de fonction sur FM.
2. Utilisez le bouton de réglage pour régler manuellement la radio sur la station souhaitée. Pour une meilleure réception, déployez complètement l'antenne située sur le dessus de l'appareil.

OPÉRATION BLUETOOTH / USB / TF (MICRO SD)

MODE BLUETOOTH

1. Faites glisser le sélecteur de fonction en mode BT (Bluetooth).
2. Assurez-vous que le Bluetooth de votre appareil externe est activé. Ouvrez ensuite le menu des paramètres Bluetooth sur votre appareil et sélectionnez «**Victrola Boombox**». L'**indicateur LED** Play commencera à clignoter.
3. L'**indicateur LED** de lecture cesse de clignoter et une tonalité sonore retentit, indiquant que la connexion a réussi.
5. Utilisez les boutons de lecture argentés du panneau de commande comme d'habitude ou contrôlez la lecture directement depuis votre appareil externe.
6. Pour déconnecter le périphérique externe, appuyez simplement sur le **bouton M (Mode)**.

MODE USB / TF (MICRO SD)

1. Utilisez le commutateur de fonction pour passer en mode BT (Bluetooth).
2. Insérez une clé USB ou une carte TF (Micro SD) (non incluse).
3. Appuyez sur le **bouton M (Mode)** jusqu'à ce que l'appareil commence à lire de la musique depuis la clé USB ou la carte.
4. Utilisez l'emplacement des boutons de lecture argentés sur le panneau de commande pour contrôler la lecture comme d'habitude.
5. Le **bouton de répétition**  règle la clé USB ou la carte en répétition. Appuyez une fois pour activer.

Remarque: les ports USB / SD ne prennent en charge que les formats MP3 / WMA et un maximum de 32 Go.

Remarque: En mode USB / BT, après 15 minutes d'inactivité, l'appareil passe en mode veille. Pour rallumer l'appareil, appuyez simplement sur le bouton de lecture ou déplacez le commutateur de

SPÉCIFICATIONS

Poids du produit	2,97 lb (1,32 kg)
Dimensions du produit	5,0" H x 13,7" L x 3,5" P 128mm H x 347mm L x 88mm P
Alimentation:	AC 120V ~ 60Hz
Puissance:	Piles DC 6V / 4x C (UM2)
Bandes radio:	AM, FM
Gamme de fréquences:	FM 87,5-108 MHz / AM 520-1710 kHz
Puissance de consommation	8W
Sortie haut-parleur:	1,5W
Impédance de sortie	Haut-parleur 6Ω x 2
Bluetooth:	Version: V5.0 Puissance de rayonnement <1 mW Gamme de fréquences: 2402 ~ 2480 MHz

DÉCLARATION DE LA FCC

Cet appareil est conforme à la section 15 de la réglementation de la FCC. Son utilisation est soumise aux deux conditions suivantes: (1) Cet appareil ne doit pas causer d'interférences nuisibles et (2) cet appareil doit accepter toutes les interférences reçues, y compris celles pouvant entraîner un fonctionnement non souhaité.

REMARQUE: Cet équipement a été testé et déclaré conforme aux limites imposées aux appareils numériques de classe B, définies à la section 15 du règlement de la FCC. Ces limites sont conçues pour fournir une protection raisonnable contre les interférences nuisibles dans une installation résidentielle. Cet équipement génère, utilise et peut émettre des fréquences radio et, s'il n'est pas installé et utilisé conformément aux instructions, il peut causer des interférences nuisibles aux communications radio. Cependant, rien ne garantit que des interférences ne se produiront pas dans une installation particulière. Si cet équipement provoque des interférences nuisibles avec la réception de radio ou de télévision, ce qui peut être déterminé en éteignant et en allumant l'équipement, l'utilisateur est invité à tenter de corriger l'interférence en appliquant l'une des mesures suivantes:

- Réorienter ou déplacer l'antenne de réception.
- Augmentez la distance entre l'équipement et le récepteur.
- Branchez l'équipement sur une prise d'un circuit différent de celui auquel le récepteur est connecté.
- Consultez votre revendeur ou un technicien radio / TV expérimenté pour obtenir de l'aide.

AVERTISSEMENT: tout changement ou modification non expressément approuvé par la partie responsable de la conformité pourrait annuler l'autorité de l'utilisateur à utiliser cet équipement.

L'appareil ne doit pas être co-localisé ou fonctionner en conjonction avec une autre antenne ou un autre émetteur.

Pour rester en conformité avec les directives de la FCC en matière d'exposition aux radiofréquences, placez le produit à au moins 20 cm de distance.

DÉCLARATION IC

Cet appareil est conforme à l'Industrie Canada RSS247. Cet appareil est conforme aux normes RSS exempts de licence d'Industrie Canada.

Son fonctionnement est soumis aux deux conditions suivantes: (1) cet appareil ne doit pas causer d'interférences et (2) cet appareil doit accepter toute interférence, y compris les interférences pouvant entraîner un fonctionnement non souhaité de l'appareil.

L'appareil ne doit pas être co-localisé ou fonctionner en conjonction avec une autre antenne ou un autre émetteur.

Cet appareil est conforme aux limites d'exposition aux rayonnements IC définies pour un environnement non contrôlé.

L'appareil doit être installé et utilisé avec une distance minimale de 20 cm entre le radiateur et votre corps.

CALIFORNIA PROP 65 WARNING



AVERTISSEMENT: Ce produit peut vous exposer à des produits chimiques, notamment du plomb, reconnu par l'État de Californie pour provoquer le cancer ou des anomalies congénitales ou d'autres problèmes de reproduction.

Pour plus d'informations, visitez www.P65Warnings.ca.gov.

GARANTIE

Innovative Technology Electronics LLC

Garantie limitée : 90 jours pour la main-d'œuvre, un an pour les pièces

Innovative Technology Electronics LLC. (IT) garantit que ce produit est exempt de « défauts » dans les pièces dans des conditions normales d'utilisation pendant une période « d'un an » à partir de la date originale d'achat. La garantie n'est pas transférable. IT consent, durant la période initiale de « 90 jours », à réparer ou à remplacer le produit « sans frais » si celui-ci est jugé défectueux. IT consent de plus à acquitter les frais de réparation ou de remplacement des « pièces » endommagées pendant une période « d'un an » à partir de la date originale d'achat. La garantie ne couvre pas les dommages cosmétiques, les antennes, les cordons CA, les boîtiers, les bandeaux, les cache oreilles, ou les dommages causés par les sautes de puissance, le raccordement incorrect à une source d'alimentation ou à des réglages inadéquats, l'usage impropre, la manipulation inappropriée, un accident, une catastrophe naturelle ou une tentative de réparation par un prestataire de service non agréé.

Pour obtenir des prestations de service, l'acheteur DOIT soumettre un coupon original / une preuve d'achat. S'il vous plaît contactez-nous à www.victrola.com de demander un numéro RMA (Return Material Authorization) le numéro à retourner les produits pour réparation ou remplacement. Les retours sans numéro de RMA sur le paquet seront refusés et renvoyés à l'expéditeur. Dès réception de produit retourné et de notre inspection complète (IT) peut délivrer un remplacement au client pour le même article ou de celui qui a une valeur équivalente et de caractéristiques. Pour retourner un produit, fournissez le nom complet, adresse de retour, le numéro de téléphone, produit acheté, le coupon d'achat et la raison du retour pour obtenir le numéro de RMA.

Tous les retours doivent être dans leur emballage original ou un autre emballage semblable pour éviter tout dommage.

Vous devez indiquer votre nom, votre adresse d'expédition et votre numéro de téléphone. Aucun retour ne sera renvoyé à une boîte postale ou une adresse APO.

S'il vous plaît inclure votre chèque ou mandat-poste au montant de:

- **\$ 5.00 USD pour les articles de 10,00 \$ à \$ 39.99 (Prix Payé Par Unité)**
- **\$ 10.00 USD pour les articles de 40,00 \$ à \$ 99.99 (Prix Payé Par Unité)**
- **\$ 16.00 USD pour les articles de 100,00 \$ et plus (Prix Payé Par Unité)**
- **Les frais d'expédition sont non remboursables**

à être payable à Innovative Technology Electronics LLC. pour acquitter les frais de manutention et de retour. (IT) ne sera pas responsable pour des retards ou demandes non traitées résultant de la défaillance d'un acheteur de fournir tout ou partie des informations nécessaires. Envoyez toutes les demandes ou des demandes de RMA via notre site web www.victrola.com/pages/technical-support.

Innovative Technology Electronics LLC.

1 Channel Drive,

Port Washington, NY 11050

Sans frais: 1-877-483-2497

Site Web de soutien: www.victrola.com/pages/technical-support.

Il n'existe aucune garantie explicite autre que celles énumérées ci-dessus
LA RÉPARATION OU LE REMPLACEMENT EN VERTU DE CETTE GARANTIE
LIMITÉE EXPLICITE CONSTITUE LE RECOURS EXCLUSIF DU CONSOMMATEUR
(IT) NE SERA PAS RESPONSABLE POUR TOUT DOMMAGES OU DOMMAGES
CONSÉCUTIFS À LA VIOLATION DE TOUTE GARANTIE EXPRESSE OU IMPLICITE SUR
CE PRODUIT, SAUF DANS LA MESURE INTERDITE PAR LA LOI APPLICABLE. TOUTE
GARANTIE IMPLICITE DE QUALITÉ MARCHANDE OU D'ADÉQUATION À UN USAGE
PARTICULIER DE CE PRODUIT EST LIMITÉE EN DURÉE À LA PÉRIODE DE CETTE
GARANTIE.

Certains états ne permettent pas l'exclusion ou la limitation des dommages fortuits ou consécutifs, ou les limitations sur la durée d'une garantie implicite, les exclusions ou limitations ne s'appliquent pas à vous. Cette garantie vous donne des droits légaux spécifiques et vous pouvez également avoir d'autres droits, qui varient d'un État à l'autre.