

I/R MINI COPTER/DRONE

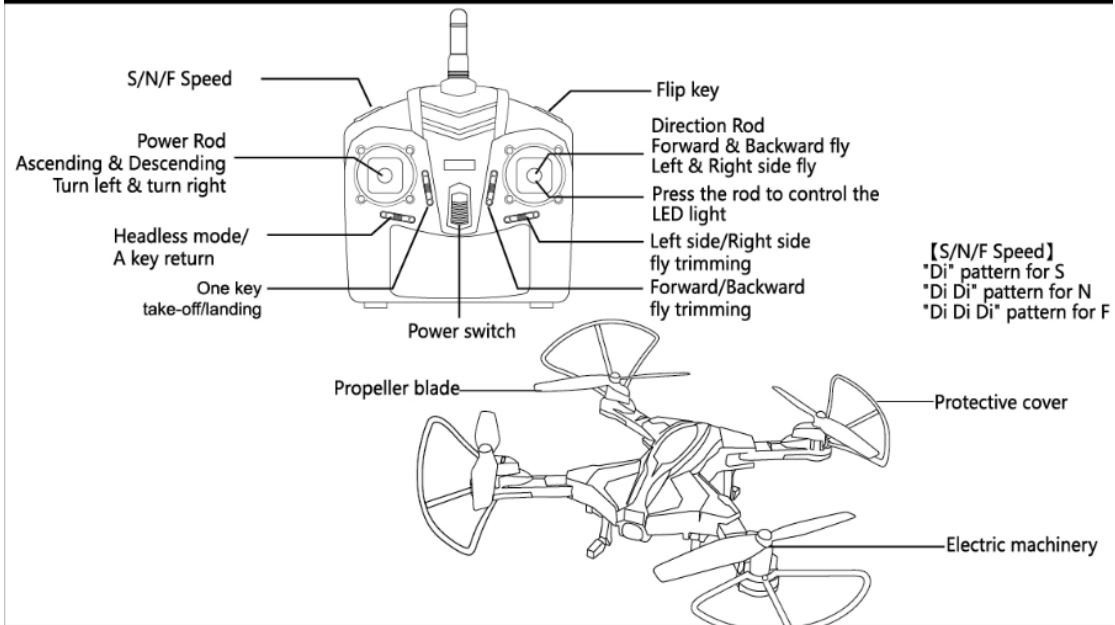
Model: MW418

User Manual

Safty & Caution

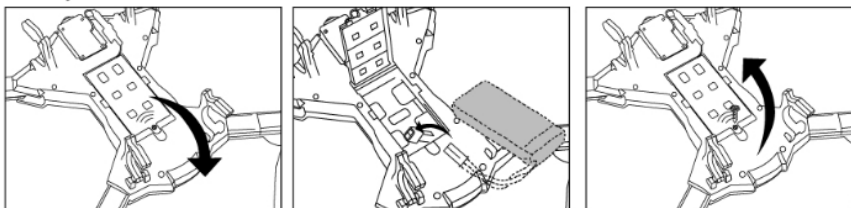
1. Please put the smaller parts of quadcopter at the place where children can't touch, to avoid accidents.
2. The quadcopter has powerful energy, at first flight, you should slowly push left lever.
3. After flight, turn off the remote control first then the quadcopter.
4. Do not put the battery in a hot place. (such as: near the fire or electric heating device)
5. During flight, the aircraft should keep away from the user or others about 2-3 meters.
6. Do not let children play alone, children should play under the guidance of adults.
7. Non rechargeable batteries can not be charged. Install batteries with correct polarity and do not mix batteries.
8. when stop flying please turn off the power of transmitter and remove the batteries of quadcopter and transmitter out.
9. The power supply terminal can not be short circuit.
10. Don't look at the light directly because of radiation.

Transmitter & Quadcopter Introduction

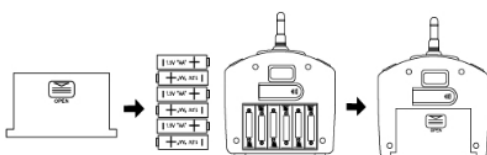


Install Batteries & charging instruction

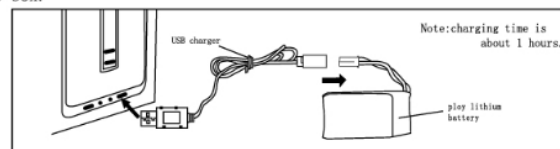
Battery installation of Aircraft



1. Slide the battery cover back and then downturn on.
2. Put the Li battery plug in input socket of battery box, and then put Li battery in the box.
3. Recover the battery cover (push forward).



1. Remove the battery cover .
2. Install 6"AA" battery, according to the correct polarity.
3. Close the battery cover.



First, connect USB to the USB slot on the Computer or to USB charger. At this moment, the indicate light will be constantly on at USB charging outlet. Then connect the battery to USB charging line. The red light will be off which indicates it is in charging and a constant light indicates that it has been fully charged. The time for charging is about 60 minutes and flight time is about 6 minutes. For safety reasons, charging should be done in sight.

Flying Preparation (common version)

1:Unfold the quadcopter.

Press the corresponding key to open the vehicle four activities Wings, will be launched to the aircraft flight status(right)

2:Install the protective cover

Install the corresponding protection frame to below the wing,With screws (right)

3:Syncing the quadcopter

Turn on the aircraft's switch and put it on a horizontal position, then turn on the transmitter with "Di" sound,the four LED lights of the aircraft flash quickly,push the left rod to the top with "Di" sound and pull it back to the base with "Di" sound, the transmitter and the aircraft's light, keep on they are in the same channel.

4:Gyroscope calibration

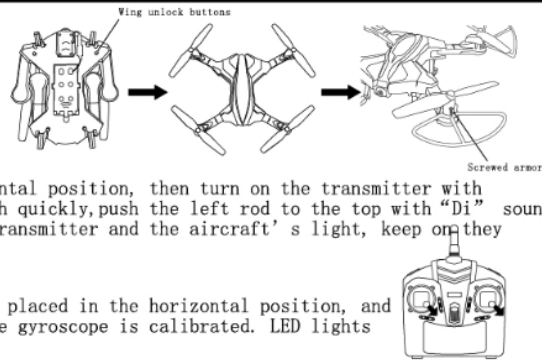
After the completion of the frequency, the vehicle is placed in the horizontal position, and the two rocker will be adjusted to the right, and the gyroscope is calibrated. LED lights flash fast,gyroscope calibration is completed.

Note:

- 1.Before flying, the quadcopter needs to be calibrated.
- 2.Before flying,the quadcopter should be placed on the flat surface to collaborate to ensure stable flying. If the quadcopter flies off tract,you can adjust it with the remote.

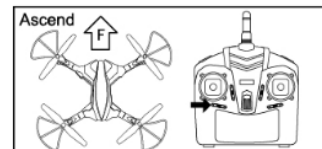
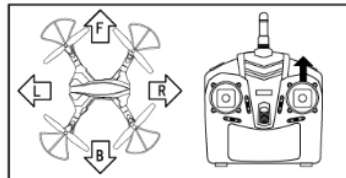
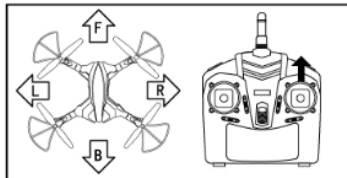
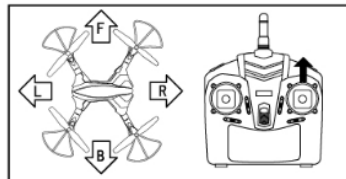
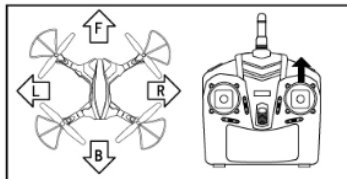
5:One key take-off/landing

One key take-off:After the completion of the calibration,push the one key take-off button the controller sends a "tick" sound.After finishing one key return, the quadcopter hover about 1m height.One key landing: After quadcopter flies,push one key landing button, the controller sends a "tick" sound. The SkyHawk slowly drops down to the ground and stops.



Headless Mode

- ★ Start and setting;the default mode of the front of the headless mode in front of the vehicle that is turned on to the frequency.If there is a deviation in the direction of impact or flight, turn it on to the direction you needThe frequency: In front of the LED light in front of the headless mode, press the headless mode keyThe flyer lights up and starts the headless mode.
- ★ Exit the headless mode: Press the button of headless mode(the transmitter "Di" the indicator light is out).Quadcopter's LED lights are on which means exit the headless mode.

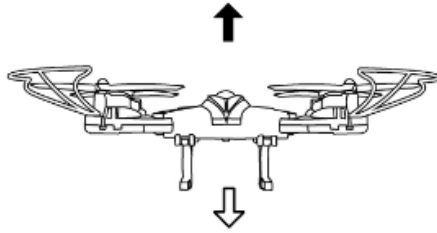
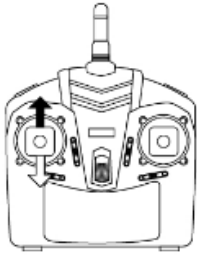


As shown in the above chart, in CF Mode (the bottom four LED lights keeps flashing quickly) No matter where the quadcopter locates (the blue light is the onward direction),now the position of the remote controller is the rear of the quadcopter. At this time,push the direction lever down the aircraft will come back, and push the direction lever up, the aircraft will fly away.

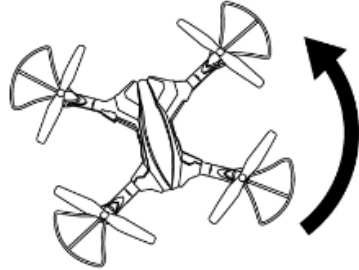
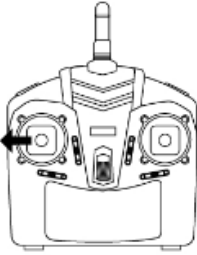
One key return

- ★ Press the button of one key return,the quadcopter will return automatically. You can push the right lever to correct the channel if deviation. (in the front of the frequency after reboot to normal return).Press the one key return again(the transmitter "Di"), the quadcopter ends return. Or push the right lever up to end return.

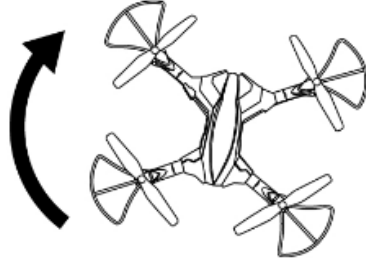
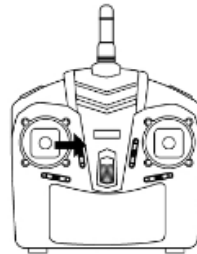
Instruction



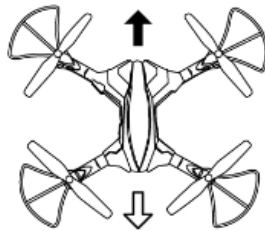
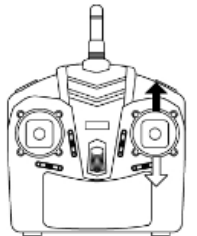
Push the throttle lever up or down, the quadcopter flies upward or downward.



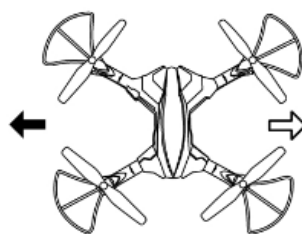
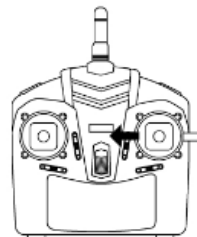
Push the throttle lever left the quadcopter turns left .



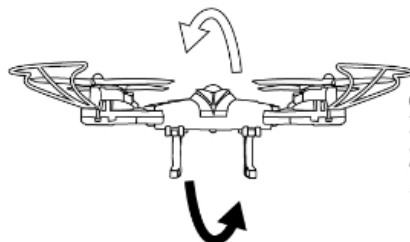
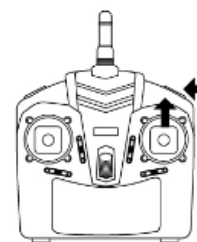
Push the throttle lever right the quadcopter turns right.



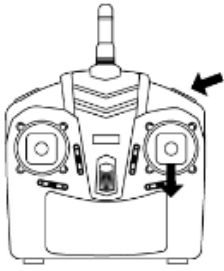
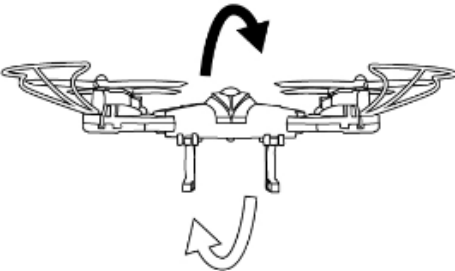
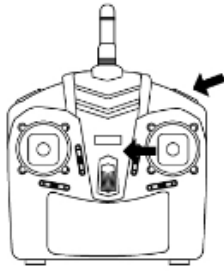
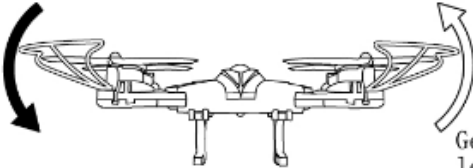
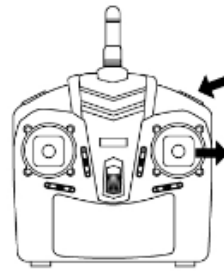
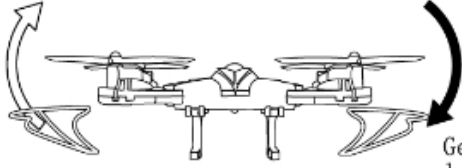
Push the direction lever up or down, the quadcopter flies forward or backward.



Push the direction lever left or right, the quadcopter flies left side or right side.



Gently press roll
Pushing up the direction bar,
The orbiter is going forward 360° .

	 <p>Gently press roll Pushing down the direction bar, the quadcopter does 360° backward rolling action.</p>
	 <p>Gently press roll lever and push left, the quadcopter does 360° rolling action left side.</p>
	 <p>Gently press roll lever and push right, the quadcopter docs 360° rolling action right side.</p>
<p>Note: keep the aircraft at a height of 2-3 meters when it is rolling, so that it is easier to maintain altitude when the aircraft is tumbling.</p>	

Attention

- ★ Keep a suitable distance from the quadcopter for safely.
- ★ Do not look straightly to the lights, they will be laser radiation.
- ★ If the transmitter or quadcopter is lack of power, the control distance and height of flying will be affected.
- ★ If the quadcopter is broken, please repair it in time. Do not play quadcopter when propellers are damaged.
- ★ Please put out the batteries to avoid battery leakage when do not be used for a long time.
- ★ Do not let the quadcopter crash at a high altitude, because tit will be damaged and the lifetime will be shorter.

Special Note

if the vehicle is spinning in the air or in a different direction, You can use the fine-tuning action to adjust the direction of the adjustment in the direction of the vehicle to keep the balance.

Note: When the quadcopter fly within 30 cm between the ground or the ceiling, the quadcopter becomes unstable because of blades swirl, this is "Ground effect". Lower weight, bigger "Ground effect."

Notes of Using the Lithium Battery

- ★ Please note that the user should take all the responsibility by its own. Manufacturer and sales agent won't take any responsibility on the body injury or property loss as we can not monitor or control the user's behavior during the process of using the battery (for example: charging, discharging or storage of the battery, etc.)
- ★ If there is any battery leakage happened, please try to avoid the contact with the skin or eyes. In case that it has reached the skin, please rinse it with soap and clear water. In the case it has reached eyes, please rinse it with massive cold water and go see the doctor immediately.
- ★ If the charger appears suspicious smell, noise or smoke, please unplug it from the power socket immediately.
- ★ Please strictly following requirement. Otherwise it may cause fire disaster, electric shock or explosion.

Charging

- ★ Original special-purposed charge should be required when charging the battery. Damaged charger or any other chargers are highly forbidden to be used.
- ★ Please do not charge the batteries that is swollen, leakage or damaged.
- ★ Please do not overcharge the battery. When batteries are full charged, please unplug the charger
- ★ Please do not charge on the flammable or combustible surface (such as carpet, wooden floor, solid wooden furniture, etc) or on the electric-conductive surface. You are required to watch carefully the battery and the surface you need to charge. Please do not re-charge this battery so as to avoid overheating.
- ★ Please do not charge immediately when the product is just finished using or the battery is still hot enough.
- ★ The charging temperature of the battery should be between 0-40 Celsius degree.

Use and store

- ★ Wrapping the broken or damaged battery by plastic is highly forbidden.
- ★ When starting this equipment, please do not load or remove the battery.
- ★ Please do not over pose the battery and avoid excessive physical collision.
- ★ Using the battery that is swollen, leakage, broken or even sending out smell is forbidden.
- ★ Children are forbidden to touch the battery.
- ★ Please do not throw the battery into the fire. Try to avoid the battery being contacted with liquid. This equipment is forbidden to be put in the rain.
- ★ Not dose it to be placed in the moisture area. Please do not put the battery into the microwave or pressure tank.
- ★ Please do not disassemble, drill or transform or cut the battery as the battery can not sustain the heavy object. Striking the battery is highly forbidden.
- ★ Please do not use any solvents, industrial-purposed alcohol in any other flammable solvents to clean the charge. In order to prevent from being short-circuited, please avoid being contacted by the electrolyte substance in the battery as electrolyte substance and electrolyte steam great harm to the human body.
- ★ Please store this equipment under the normal room temperature. Please do not put this equipment under extreme temperature. Try to avoid storing or on the place where temperature has substantial change.
- ★ Please do not place this product near the heat source.
- ★ Please remove the batteries if you do not use it.
- ★ Please be familiar with the method that the local trash is centralized and disposed.

Recycle

- ★ Please do not treat this equipment as the daily trash. Battery that is damaged should be put into the special-purposed container.
- ★ This equipment is composed of electronic component and battery. Regarding the electronic trash, please dispose in accordance with special regulation.
- ★ Please be familiar with the way the local trash is centralized and disposed.

Federal Communications Commission (FCC) Statement

This device complies with part 15 of the FCC Rules. Operation is subject to the following two conditions: (1) This device may not cause harmful interference, and (2) this device must accept any interference received, including interference that may cause undesired operation.

Note: This equipment has been tested and found to comply with the limits for a Class B digital device, pursuant to part 15 of the FCC Rules. These limits are designed to provide reasonable protection against harmful interference in a residential installation. This equipment generates, uses and can radiate radio frequency energy and, if not installed and used in accordance with the instructions, may cause harmful interference to radio communications. However, there is no guarantee that interference will not occur in a particular installation. If this equipment does cause harmful interference to radio or television reception, which can be determined by turning the equipment off and on, the user is encouraged to try to correct the interference by one or

more of the following measures:

- Reorient or relocate the receiving antenna.
- Increase the separation between the equipment and receiver.
- Connect the equipment into an outlet on a circuit different from that to which the receiver is connected.
- Consult the dealer or an experienced radio/TV technician for help.

Warning: Changes or modifications made to this device not expressly approved by RUICHUANG TOYS INDUSTRIAL CO., LTD may void the FCC authorization to operate this device.

Note: The manufacturer is not responsible for any radio or TV interference caused by unauthorized modifications to this equipment. Such modifications could void the user's authority to operate the equipment.