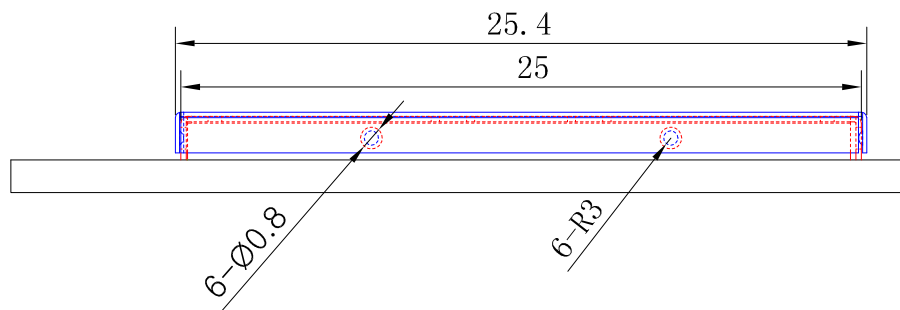
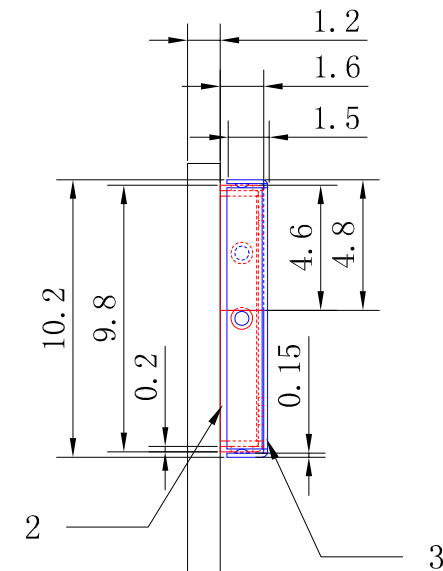
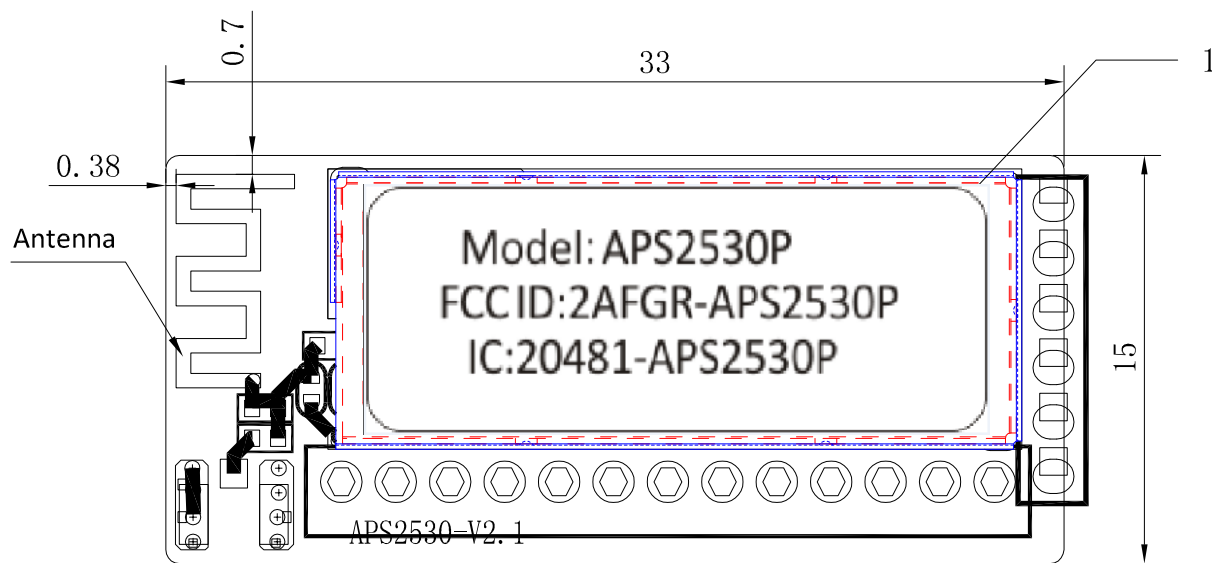


CHANGE NO.	CHANGE CONTENTS	REV.	NAME/DATE



NOTES

- 1) SHIELDING COVER SURFACE SMOOTH, NO SCRATCH, DEFORMATION, DISTORTION AND OTHER ILLS
- 2) WHITE BACKGROUND LABEL SHOULD WITH CLEARLY BLACK FONTS

3	SHIELDING COVER	STAINLESS STEEL	1		
2	SHIELDING FRAME	COPPER-NICKEL-ZINC ALLOY	1		
1	LABEL	PET	1	LxW=23x9mm, FILLET:R=1.5mm	
NO.	NAME	MATERIAL	QUANTITY	DESCRIPTION	NOTE
TOLERANCES UNLESS OTHERWISE SPECIFIED		MATERIAL			
FORMING/STAMPING PARTS NOT NOTE TOLERANCE		---			
GB/T 13914-2002 FT4 LEVEL:					
>0-1	±0.05	>25-63	±0.32		
>1-3	±0.12	>63-160	±0.42		
>3-10	±0.18	>160-400	±0.54		
>10-25	±0.26	>400-1000	±0.70		
DWN.	LiYanqian 2015-7-31	UNIT	mm		
CHK.	ChenTianxing 2015-7-31	SHEET	___ OF ___	REV.	1.1
				Altenergy Power System Inc NAME ZIGBEE模块	
				DRAWING NO.	