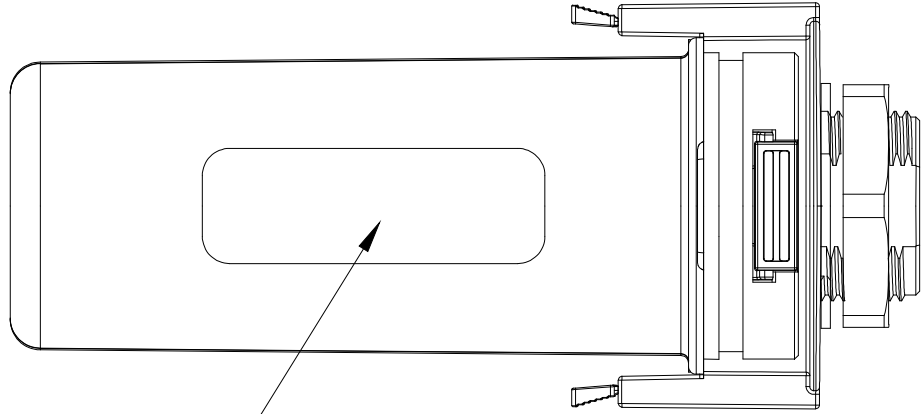





CHANGE NO.	CHANGE CONTENTS	REV.	NAME/DATE




AP Dongle Label



APstorage

AP Dongle

Model: D-WB
 DC-Input: 5.0V=2.1A
 Enclosure: IP66
 Temperature: -25°C to +65°C


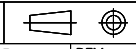


FCC ID: 2AFGR-APD
 IC: 20481-APD

Made in China

www.APsystems.com

ALTENERGY POWER SYSTEM Inc.

TOLERANCES UNLESS OTHERWISE SPECIFIED	MATERIAL	 APsystems ALTENERGY POWER
		NAME AP Dongle Label
DWN.	UNIT mm	
CHK.	SHEET -- OF --	REV. 0.0
DRAWING NO.		