

Manuale di istruzioni
Native Wooden Bluetooth
Speaker

Speaker Basics



Answer calls



Next track / Fast forward



Play / Pause



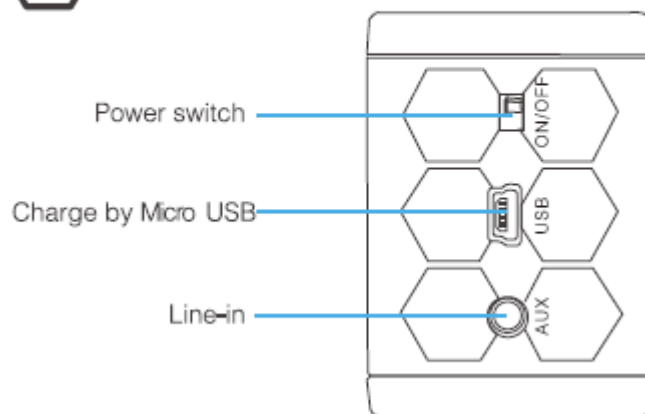
Previous track / Rewind



Increase volume



Decrease volume



Pairing to the Speaker

- 1 Turn on the Speaker. The status light will blink blue fast until connected. Once a connection has been established the light will blink slowly.

Notes:

- If the status light changes to red and blinks fast, it means the battery is low. Use the MicroUSB cable to fully charge the speaker.
- You cannot pair with the speaker if a MicroSD card or AUX cable is inserted.

Connecting via Bluetooth

- 2 Access the Bluetooth menu on your device. Select "NATIVE" from list of available devices.
- 3 Once connected, media can be controlled via the Bluetooth compatible device or the controls on the speaker.

Answer Calls



To answer an incoming call while Bluetooth connection is active, press the Call Answer button once. To ignore an incoming call double press the Call Answer button.

Connecting with Line-in Cable

Insert one end of the 3.5mm audio cable into the AUX Line-in port on the speaker. Insert the opposite end of the cable into your media device.

Using the Speaker Controls



Use the buttons on the top of the speaker to navigate audio played on media device.

Charging the Device

Using the included USB Charging Cable, insert the Micro-USB end of the cable into the speaker.

Insert the opposite USB end into a computer's USB port or a compatible AC wall adapter.

LED will illuminate red while charging.

Safety Information

- Charge battery fully before first use.
- Keep out of reach of children
- Avoid exposure to intense heat and/or flame
- Do not submerge in liquids
- Avoid contact with moisture
- Do not attempt to disassemble the item to reduce the risk of electric shock.
- Do not attempt to repair the item, seek the help of a professional
- Discontinue use if the item appears to be distorted, produces an unusual smell, or smoke.



FCC Caution:

This device complies with part 15 of the FCC Rules. Operation is subject to the following two conditions: (1) This device may not cause harmful interference, and (2) this device must accept any interference received, including interference that may cause undesired operation.

Any Changes or modifications not expressly approved by the party responsible for compliance could void the user's authority to operate the equipment.

Note: This equipment has been tested and found to comply with the limits for a Class B digital device, pursuant to part 15 of the FCC Rules. These limits are designed to provide reasonable protection against harmful interference in a residential installation. This equipment generates uses and can radiate radio frequency energy and, if not installed and used in accordance with the instructions, may cause harmful interference to radio communications. However, there is no guarantee that interference will not occur in a particular installation. If this equipment does cause harmful interference to radio or television reception, which can be determined by turning the equipment off and on, the user is encouraged to try to correct the interference by one or more of the following measures:

- Reorient or relocate the receiving antenna.
- Increase the separation between the equipment and receiver.
- Connect the equipment into an outlet on a circuit different from that to which the receiver is connected.
- Consult the dealer or an experienced radio/TV technician for help.