

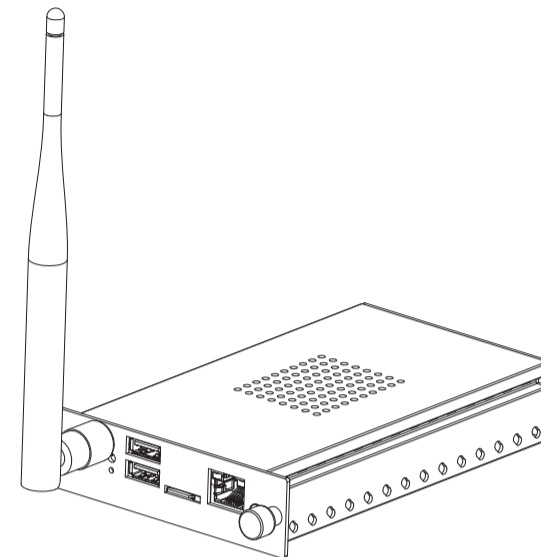
1. Safety and Precautions

Before using the device, please read this instruction carefully in avoidance of any potential dangers or operations that may cause faults to the product.

- **Usage Environment**
Do not place the product in dusty and humid environments in case of internal circuit fault.
Do not place the product near heating devices (such as electrical heater).
Normal operating temperature is 0~40°C , normal operating humidity is 10%~90%RH.
- **Children Safety**
The product and accessories may contain some tiny components. Please place them beyond the reach of children in avoidance of swallowing danger.
- **Waterproof Function**
The product is not waterproof . Please keep it dry.
- **Maintenance and Care**
Maintenance of this product should be only performed by qualified technicians.
Do not insert any sharp objects into this product.
Please avoid of intense hit or drop on the product.
Before moving the product, please unplug the AC power cord from power socket.
To avoid damages caused by frequent startup and shutdown, wait for at least 30 seconds before restarting the product.
All the operations such as removal or installation shall be implemented on the electrostatic discharge (ESD) worktable, because some precision components are sensitive to electrostatic discharge.
If there is no ESD worktable, please take the following measures to minimize possible damages from electrostatic discharge:
Wear an antistatic wrist strap during operation;
Always touch the metal chassis of frame of the corresponding products before removal or installation of any components.

Android Module

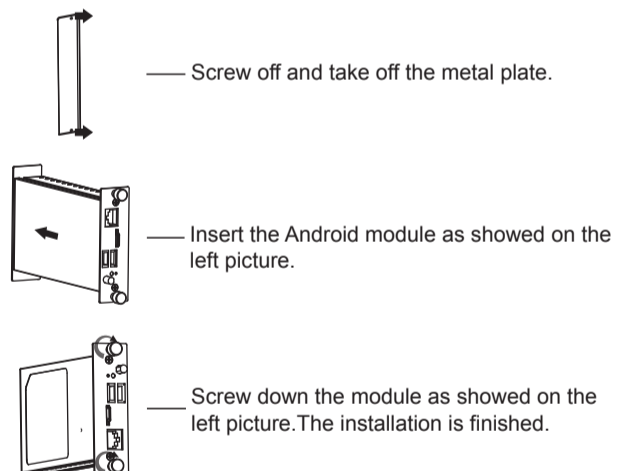
Android Module | User Manual



2. Installation Steps

Warning:

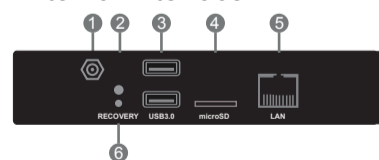
Please make sure the power cord is disconnected before conducting the following operations.



⚠ Do not plug or unplug wires or other devices when the unit is powered on.

Note:
The android module can only work when the unit is in Android channel.

3. External Interface



Items	Function Description
①	WIFI antenna interface
②	Working indicator light, normal working is blue
③	USB3.0 interface, to connect USB devices, such as mobile hard disk, U disk, USB keyboard and mouse, USB drives, etc
④	Micro SD card slot
⑤	Network interface, connecting RJ45 port to connect to the Internet (it can only work in Android system for Internet)
⑥	Recovery slot (only for professional maintenance personnel)

4. Power

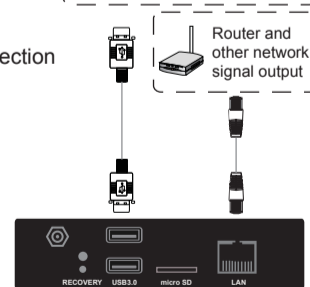
Power supply mode: DC IN
Voltage range: 12/19V
Power supply current: 1.5A

5. Connection and Settings

USB equipment connection



Network cable connection



6. Statements

The image shown in this manual is indicative only. If there is inconsistency between the image and the actual product, the actual product shall govern.

7. RF & Power

Frequency Range	Output Power (Max.)
2402 to 2480 MHz (BT)	6.92 dBm
2412 to 2462 MHz	17.35 dBm
5150 to 5250 MHz	19.75 dBm
5725 to 5850 MHz	19.25 dBm

Software: V1.0.0
Antenna Type:Dipole
Antenna Gain: BT/ 2.4G Wifi 2.55dBi;5G wifi 3.87dBi
Antenna Impedance:50Ω
5150-5250MHz is only for indoor use.
This device should be installed and operated with a minimum distance of 20cm between the radiator and your body.

Federal Communication Commission Interference Statement

This equipment has been tested and found to comply with the limits for a Class B digital device, pursuant to Part 15 of the FCC Rules. These limits are designed to provide reasonable protection against harmful interference in a residential installation. This equipment generates, uses and can radiate radio frequency energy and, if not installed and used in accordance with the instructions, may cause harmful interference to radio communications. However, there is no guarantee that interference will not occur in a particular installation. If this equipment does cause harmful interference to radio or television reception, which can be determined by turning the equipment off and on, the user is encouraged to try to correct the interference by one of the following measures:

- Reorient or relocate the receiving antenna.
- Increase the separation between the equipment and receiver.
- Connect the equipment into an outlet on a circuit different from that to which the receiver is connected.
- Consult the dealer or an experienced radio/TV technician for help.

FCC Caution:

Any changes or modifications not expressly approved by the party responsible for compliance could void the user's authority to operate this equipment.

This device complies with Part 15 of the FCC Rules. Operation is subject to the following two conditions:

- (1) This device may not cause harmful interference, and
- (2) This device must accept any interference received, including interference that may cause undesired operation.

FCC Radiation Exposure Statement:

This equipment complies with FCC radiation exposure limits set forth for an uncontrolled environment. This transmitter module must not be co-located or operating in conjunction with any other antenna or transmitter.

This End equipment should be installed and operated with a minimum distance of 20 centimeters between the radiator and your body.

ISED

This device complies with license-exempt transmitter(s)/receiver(s) that comply with Innovation, Science and Economic Development Canada's licence-exempt RSS standard(s).

Operation is subject to the following two conditions:

- (1) this device may not cause harmful interference, and

- (2) this device must accept any interference received, including interference that may cause undesired operation.

L'émetteur/récepteur exempt de licence contenu dans le présent appareil est conforme aux CNR d'Innovation, Sciences et Développement économique Canada applicables aux appareils radio exempts de licence.

L'exploitation est autorisée aux deux conditions suivantes:

- (1) l'appareil ne doit pas produire de brouillage, et
(2) l'appareil doit accepter tout brouillage radioélectrique subi, même si le brouillage est susceptible d'en compromettre le fonctionnement.

This radio transmitter (IC: 22166-SA05) has been approved by Industry Canada to operate with the antenna types listed below with the maximum permissible gain indicated. Antenna types not included in this list, having a gain greater than the maximum gain indicated for that type, are strictly prohibited for use with this device.

Le présent émetteur radio (IC: 22166-SA05) a été approuvé par Industrie Canada pour fonctionner avec les types d'antenne énumérés ci-dessous et ayant un gain admissible maximal. Les types d'antenne non inclus dans cette liste, et dont le gain est supérieur au gain maximal indiqué, sont strictement interdits pour l'exploitation de l'émetteur.

2.4G:

Ant.	Brand	Model Name	Antenna Type	Connector	Gain (dBi)	Note
1	N/A	N/A	Dipole	N/A	2.55	N/A

5G:

Ant.	Manufacturer	Model Name	Antenna Type	Connector	Gain (dBi)	Note
1	N/A	N/A	Dipole	N/A	4.03	N/A

Caution:

- (i) The device for operation in the band 5150–5250 MHz is only for indoor use to reduce the potential for harmful interference to co-channel mobile satellite systems;
(ii) For devices with detachable antenna(s), the maximum antenna gain permitted for devices in the band 5725- 5850 MHz shall be such that the equipment still complies with the EIRP limits specified for point-to-point and non-point-to-point operation as appropriate;

Avertissement:

- (i) les dispositifs fonctionnant dans la bande de 5150 à 5250MHz sont réservés uniquement pour une utilisation à l'intérieur afin de réduire les risques de brouillage préjudiciable aux systèmes de satellites mobiles utilisant les mêmes canaux;

- (ii) pour les dispositifs munis d'antennes amovibles, le gain maximal d'antenne permis (pour les dispositifs utilisant la bande de 5725 à 5850 MHz) doit être conforme à la limite de la p.i.r.e. spécifiée pour l'exploitation point à point et l'exploitation non point à point.

Radiation Exposure Statement

This equipment complies with Canada radiation exposure limits set forth for an uncontrolled environment. This equipment should be installed and operated with minimum distance 20cm between the radiator & your body.

Déclaration d'exposition aux radiations

Cet équipement est conforme Canada limites d'exposition aux radiations dans un environnement non contrôlé. Cet équipement doit être installé et utilisé à distance minimum de 20cm entre le radiateur et votre corps.