



FCC Test Report

FCC ID: 2AFEJ-H16WT

Product: Graphic Tablet (Pen Tablet)

Trade Name: 
HUION

Model Number: G10T

Q9K; Q11K; Q13K; S8R; S10R;

Serial Model: S12R; G8T; G12T; G14T;
DWH69; WH1409; W58.

Report No.: NTEK- 2016NT08318693F2

Prepared for

Shenzhen Huion Animation Technology Co.,Ltd

Building 28, Quater 4, HuaiDeCuiGang Industrial Park, Fuyong Street,
Bao'an District, Shenzhen, China

Prepared by

NTEK Testing Technology Co., Ltd.

1/F, Building E, Fenda Science Park, Sanwei Community, Xixiang Street,
Bao'an District, Shenzhen 518126 P.R. China

Tel.: +86-755-6115 6588 Fax.: +86-755-6115 6599

Website: [http:// www.ntek.org.cn](http://www.ntek.org.cn)

TEST RESULT CERTIFICATION

Applicant's name : Shenzhen Huion Animation Technology Co.,Ltd
Address : Building 28, Quater 4, HuaiDeCuiGang Industrial Park, Fuyong Street,
Bao'anDistrict, Shenzhen, China
Manufacturer's Name : Shenzhen Huion Animation Technology Co.,Ltd
Address : Building 28, Quater 4, HuaiDeCuiGang Industrial Park, Fuyong Street,
Bao'anDistrict, Shenzhen, China

Product description

Product name..... : Graphic Tablet (Pen Tablet)
Model and/or type reference : G10T

Standards..... : FCC Part15B:01 Oct.2016
ANSI C63.4:2014

This device described above has been tested by NTEK, and the test results show that the equipment under test (EUT) is in compliance with Part 15 of FCC Rules. And it is applicable only to the tested sample identified in the report.

This report shall not be reproduced except in full, without the written approval of NTEK, this document may be altered or revised by NTEK, personnel only, and shall be noted in the revision of the document.

Date of Test :
Date (s) of performance of tests..... : 31 Aug. 2016 ~21 Sep. 2016
Date of Issue..... : 21 Sep. 2016
Test Result..... : **Pass**

Testing Engineer : Allen Liu
(Allen Liu)

Technical Manager : Jason Chen
(Jason Chen)

Authorized Signatory : Sam Chen
(Sam Chen)

Table of Contents	Page
1 . TEST SUMMARY	4
1.1 TEST FACILITY	5
1.2 MEASUREMENT UNCERTAINTY	5
2 . GENERAL INFORMATION	6
2.1 GENERAL DESCRIPTION OF EUT	6
2.2 DESCRIPTION OF TEST SETUP	8
2.3 DESCRIPTION TEST PERIPHERAL AND EUT PERIPHERAL	9
2.4 MEASUREMENT INSTRUMENTS LIST	10
3 . EMC EMISSION TEST	11
3.1 CONDUCTED EMISSION MEASUREMENT	11
3.1.1 POWER LINE CONDUCTED EMISSION	11
3.1.2 TEST PROCEDURE	12
3.1.3 TEST SETUP	12
3.1.4 EUT OPERATING CONDITIONS	12
3.1.5 TEST RESULTS	13
3.2 RADIATED EMISSION MEASUREMENT	17
3.2.1 LIMITS OF RADIATED EMISSION MEASUREMENT	17
3.2.2 TEST PROCEDURE	17
3.2.3 TEST SETUP	18
3.2.4 TEST RESULTS	19
3.2.5 TEST RESULTS(1000~12400MHz)	21
4 . EUT TEST PHOTO	22

1. TEST SUMMARY

Test procedures according to the technical standards:

EMC Emission				
Standard	Test Item	Limit	Judgment	Remark
FCC Part15B:2014 ANSI C63.4: 2014	Conducted Emission	Class B	PASS	
	Radiated Emission	Class B	PASS	

NOTE:

- (1) 'N/A' denotes test is not applicable in this Test Report
- (2) For client's request and manual description, the test will not be executed.

1.1 TEST FACILITY

ShenZhen NTEK Testing Technology Co., Ltd

Add. : 1/F, Building E, Fenda Science Park, Sanwei Community, Xixiang Street, Bao'an District, Shenzhen P.R. China.

FCC Registration Number:238937; IC Registration Number:9270A-1

CNAS Registration Number:L5516

1.2 MEASUREMENT UNCERTAINTY

The reported uncertainty of measurement $y \pm U$, where expanded uncertainty U is based on a standard uncertainty multiplied by a coverage factor of $k=2$, providing a level of confidence of approximately **95** %.

A. Conducted Measurement :


Test Site	Method	Measurement Frequency Range	U, (dB)	NOTE
NTEKC01	ANSI	150 KHz ~ 30MHz	3.2	

B. Radiated Measurement :

Test Site	Method	Measurement Frequency Range	U, (dB)	NOTE
NTEKA01	ANSI	30MHz ~ 1000MHz	4.7	
		1GHz ~12.4GHz	5.0	

2. GENERAL INFORMATION

2.1 GENERAL DESCRIPTION OF EUT

Equipment	Graphic Tablet (Pen Tablet)	
Trade Name		
Model Name	G10T	
Serial Model	Q9K; Q11K; Q13K; S8R; S10R; S12R; G8T;G12T; G14T; DWH69; WH1409; W58.	
Model Difference	All the model are the same circuit and RF module, except the model No. and colour.	
Product Description	The EUT is a Industrial Graphic Tablet (Pen Tablet).	
	Connecting I/O port:	USB
	Operation Frequency:	2402-2480MHz
	Modulation Type:	GFSK
Power Source	DC Voltage	
Adapter	N/A	
Battery	DC 3.7V 2500mAh	

2.1.1 DESCRIPTION OF TEST MODES

To investigate the maximum EMI emission characteristics generates from EUT, the test system was pre-scanning tested base on the consideration of following EUT operation mode or test configuration mode which possible have effect on EMI emission level. Each of these EUT operation mode(s) or test configuration mode(s) mentioned above was evaluated respectively.

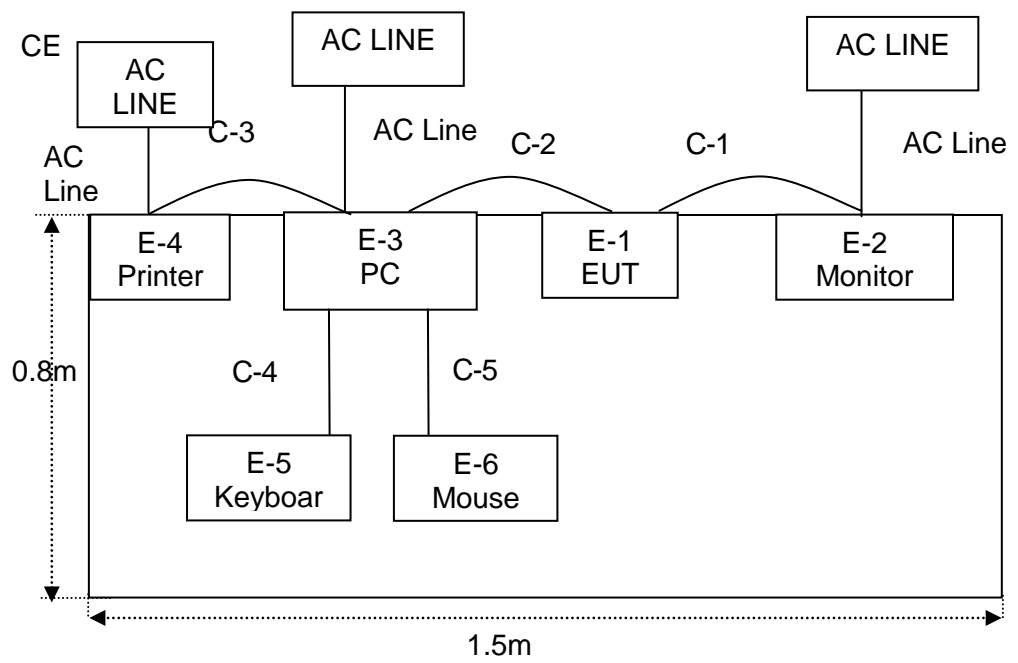
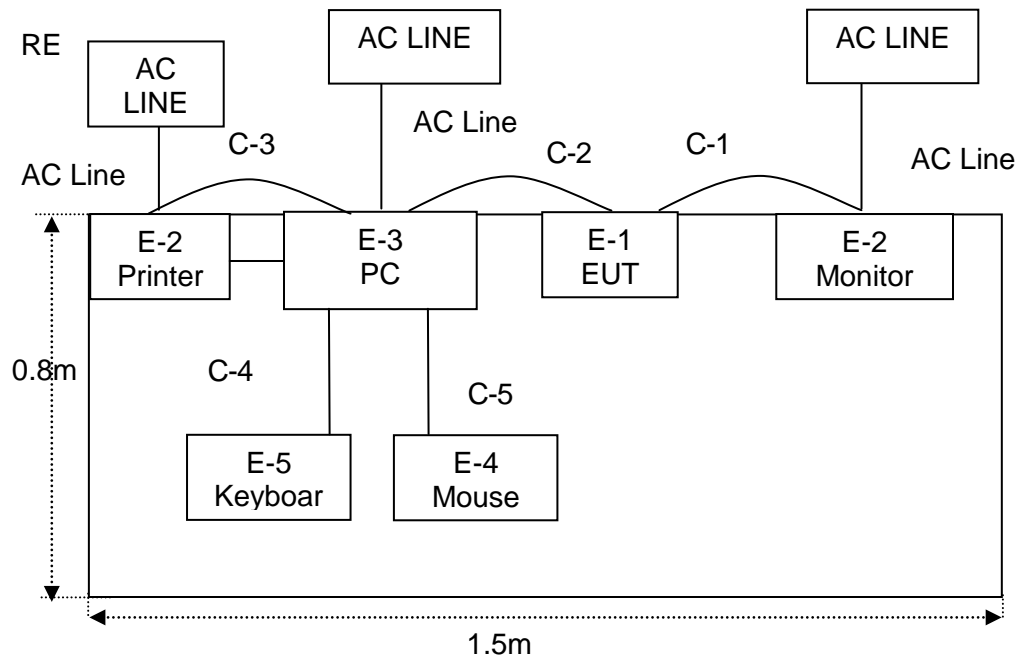
Pretest Mode	Description
Mode 1	Connect to PC
Mode 2	Painting

For Conducted Test	
Final Test Mode	Description
Mode 1	Connect to PC
Mode 2	Painting

For Radiated Test	
Final Test Mode	Description
Mode 1	Connect to PC
Mode 2	Painting


Note: Final Test Mode: Through Pre-scan, find the mode 1 is the worst case.
Only the worst case mode is recorded in the report.

2.2 DESCRIPTION OF TEST SETUP



2.3 DESCRIPTION TEST PERIPHERAL AND EUT PERIPHERAL

The EUT has been tested as an independent unit together with other necessary accessories or support units. The following support units or accessories were used to form a representative test configuration during the tests.

Item	Equipment	Brand	Model/Type No.	Series No.	Note
E-1	Graphic Tablet (Pen Tablet)		G10T	N/A	EUT
E-2	Monitor	DELL	IN2020MB	cn-0y6mhx-74261-11f-67e s	
E-3	PC	DELL	FT4Y23X	34413561645	
E-4	Printer	Canon	L11121E	LBP2900	
E-5	Keyboar	DELL	SK-8185	OY526KUS	
E-6	Mouse	DELL	MS111-P	cn-011d3v-71581-11e-1th7	

Item	Cable Type	Shielded Type	Ferrite Core	Length	Note
C-1	Adapter Cable	unshielded	NO	1.0m	
C-2	VGA	unshielded	NO	1.0m	
C-3	USB Cable	unshielded	NO	1.2m	
C-4	Power Line	unshielded	NO	1.2m	
C-5	USB Cable	unshielded	NO	1.2m	

Note:

- (1) The support equipment was authorized by Declaration of Confirmation.
- (2) For detachable type I/O cable should be specified the length in cm in 『Length』 column.
- (3) “YES” means “shielded” “with core”; “NO” means “unshielded” “without core”.

2.4 MEASUREMENT INSTRUMENTS LIST

Radiation Test equipment

Item	Kind of Equipment	Manufacturer	Type No.	Serial No.	Last calibration	Calibrated until	Calibration period
1	Spectrum Analyzer	Agilent	E4407B	MY45108040	2016.07.06	2017.07.05	1 year
2	Test Receiver	R&S	ESPI	101318	2016.06.07	2017.06.06	1 year
3	Bilog Antenna	TESEQ	CBL6111D	31216	2016.07.06	2017.07.05	1 year
4	50Ω Coaxial Switch	Anritsu	MP59B	6200264416	2016.06.07	2017.06.06	1 year
5	Spectrum Analyzer	ADVANTEST	R3132	150900201	2016.06.07	2017.06.06	1 year
6	Horn Antenna	EM	EM-AH-10180	2011071402	2016.07.06	2017.07.05	1 year
7	Horn Ant	Schwarzbeck	BBHA 9170	9170-181	2016.07.06	2017.07.05	1 year
8	Amplifier	EM	EM-30180	060538	2015.12.22	2016.12.21	1 year
9	Loop Antenna	ARA	PLA-1030/B	1029	2016.06.07	2017.06.06	1 year
10	Power Meter	R&S	NRVS	100696	2016.07.06	2017.07.05	1 year
11	Power Sensor	R&S	URV5-Z4	0395.1619.05	2016.07.06	2017.07.05	1 year
12	Test Cable	N/A	R-01	N/A	2016.07.06	2017.07.05	1 year
13	Test Cable	N/A	R-02	N/A	2016.07.06	2017.07.05	1 year

Conduction Test equipment

Item	Kind of Equipment	Manufacturer	Type No.	Serial No.	Last calibration	Calibrated until	Calibration period
1	Test Receiver	R&S	ESCI	101160	2016.06.07	2017.06.06	1 year
2	LISN	R&S	ENV216	101313	2015.08.24	2017.08.23	1 year
3	LISN	EMCO	3816/2	00042990	2015.08.24	2017.08.23	1 year
4	50Ω Coaxial Switch	Anritsu	MP59B	6200264417	2016.06.07	2017.06.06	1 year
5	Passive Voltage Probe	R&S	ESH2-Z3	100196	2016.06.07	2017.06.06	1 year
6	Absorbing clamp	R&S	MOS-21	100423	2016.06.07	2017.06.06	1 year
7	Test Cable	N/A	C01	N/A	2016.06.07	2017.06.06	1 year
8	Test Cable	N/A	C02	N/A	2016.06.07	2017.06.06	1 year
9	Test Cable	N/A	C03	N/A	2016.06.07	2017.06.06	1 year

3. EMC EMISSION TEST

3.1 CONDUCTED EMISSION MEASUREMENT

3.1.1 POWER LINE CONDUCTED EMISSION (Frequency Range 150KHz-30MHz)

FREQUENCY (MHz)	Class A (dBuV)		Class B (dBuV)	
	Quasi-peak	Average	Quasi-peak	Average
0.15 -0.5	79.00	66.00	66 - 56 *	56 - 46 *
0.50 -5.0	73.00	60.00	56.00	46.00
5.0 -30.0	73.00	60.00	60.00	50.00

Note:

- (1) The tighter limit applies at the band edges.
- (2) The limit of " * " marked band means the limitation decreases linearly with the logarithm of the frequency in the range.

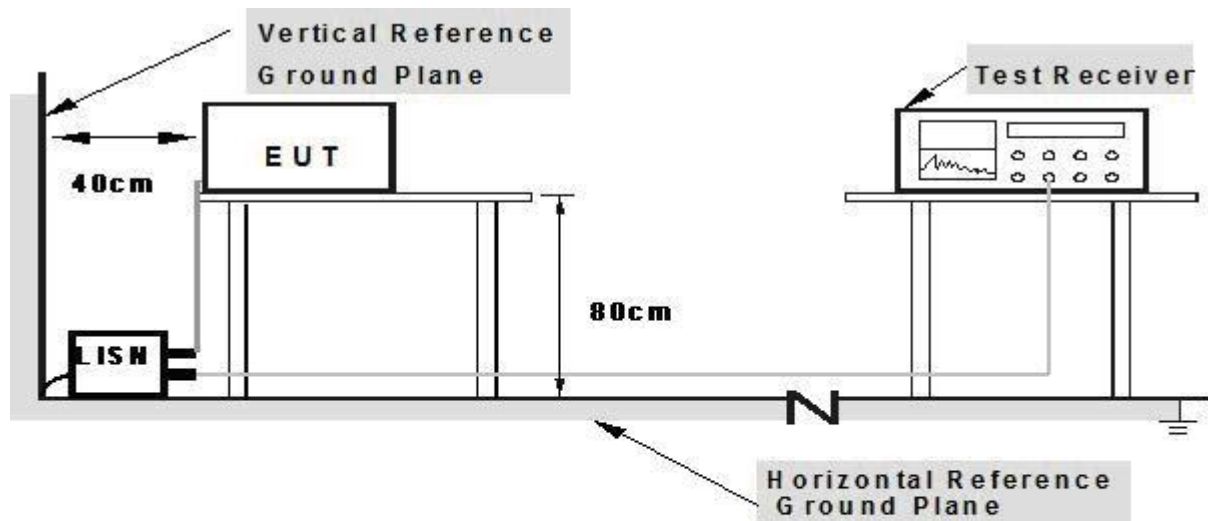
The following table is the setting of the receiver

Receiver Parameters	Setting
Attenuation	10 dB
Start Frequency	0.15 MHz
Stop Frequency	30 MHz
IF Bandwidth	9 kHz

3.1.2 TEST PROCEDURE

- The EUT was placed 0.8 meters from the horizontal ground plane with EUT being connected to the power mains through a line impedance stabilization network (LISN). All other support equipments powered from additional LISN(s). The LISN provide 50 Ohm/ 50uH of coupling impedance for the measuring instrument.
- Interconnecting cables that hang closer than 40 cm to the ground plane shall be folded back and forth in the center forming a bundle 30 to 40 cm long.
- I/O cables that are not connected to a peripheral shall be bundled in the center. The end of the cable may be terminated, if required, using the correct terminating impedance. The overall length shall not exceed 1 m.
- LISN at least 80 cm from nearest part of EUT chassis.
- For the actual test configuration, please refer to the related Item –EUT Test Photos.

3.1.3 TEST SETUP



Note: 1. Support units were connected to second LISN.

2. Both of LISNs (AMN) are 80 cm from EUT and at least 80 cm from other units and other metal planes

3.1.4 EUT OPERATING CONDITIONS

The EUT tested system was configured as the statements of 2.3 Unless otherwise a special operating condition is specified in the follows during the testing.

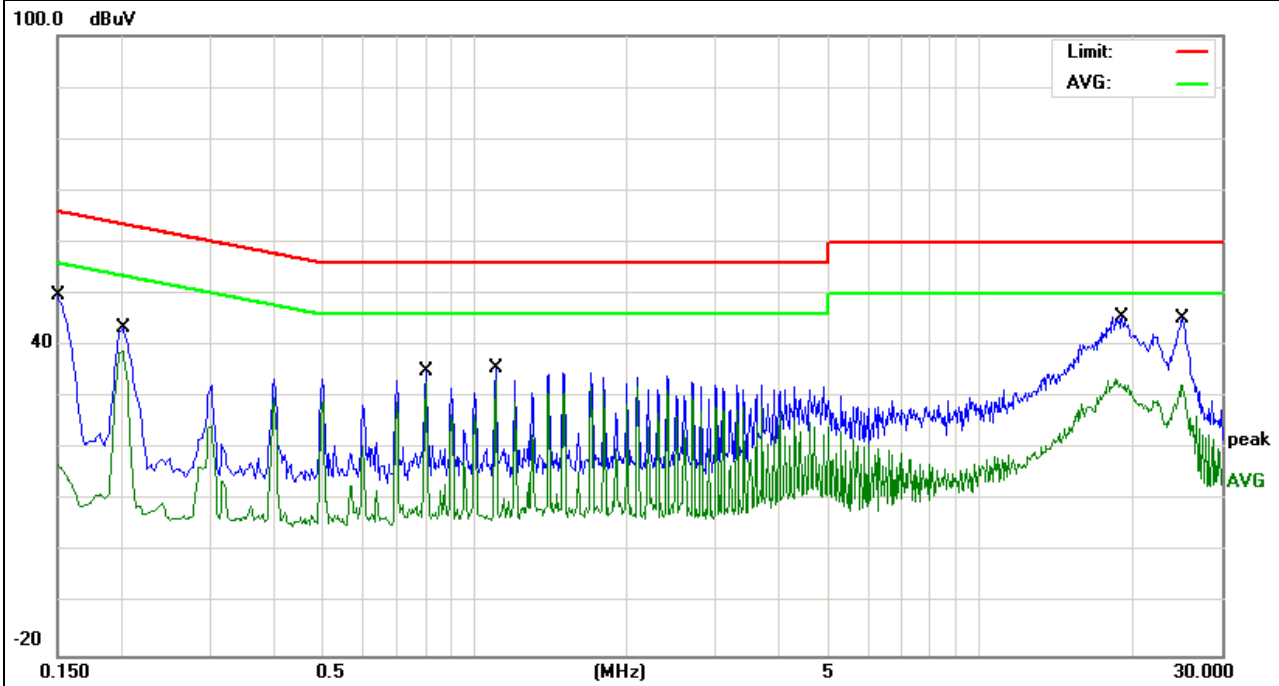
3.1.5 TEST RESULTS

EUT:	Graphic Tablet (Pen Tablet)	Model Name. :	G10T
Temperature:	26 °C	Relative Humidity:	54%
Pressure:	1010hPa	Test Date:	2016-9-21
Test Mode:	Mode 1	Phase :	L
Test Voltage:	DC 3.7V From Adapter AC 120V/60Hz		

Frequency (MHz)	Reading Level (dBμV)	Correct Factor (dB)	Measure-ment (dBμV)	Limits (dBμV)	Margin (dB)	Remark
0.15	39.54	10.12	49.66	65.99	-16.33	QP
0.15	19.97	10.12	30.09	55.99	-25.90	AVG
0.202	33.39	10.13	43.52	63.52	-20.00	QP
0.202	28.82	10.13	38.95	53.52	-14.57	AVG
0.802	25.28	9.81	35.09	56.00	-20.91	QP
0.802	13.21	9.81	23.02	46.00	-22.98	AVG
1.1019	25.71	9.86	35.57	56.00	-20.43	QP
1.1019	23.41	9.86	33.27	46.00	-12.73	AVG
19.0419	35.50	10.07	45.57	60.00	-14.43	QP
19.0419	15.07	10.07	25.14	50.00	-24.86	AVG
25.154	34.97	10.15	45.12	60.00	-14.88	QP
25.154	13.63	10.15	23.78	50.00	-26.22	AVG

Remark:

1. All readings are Quasi-Peak and Average values.
2. Factor = Insertion Loss + Cable Loss.

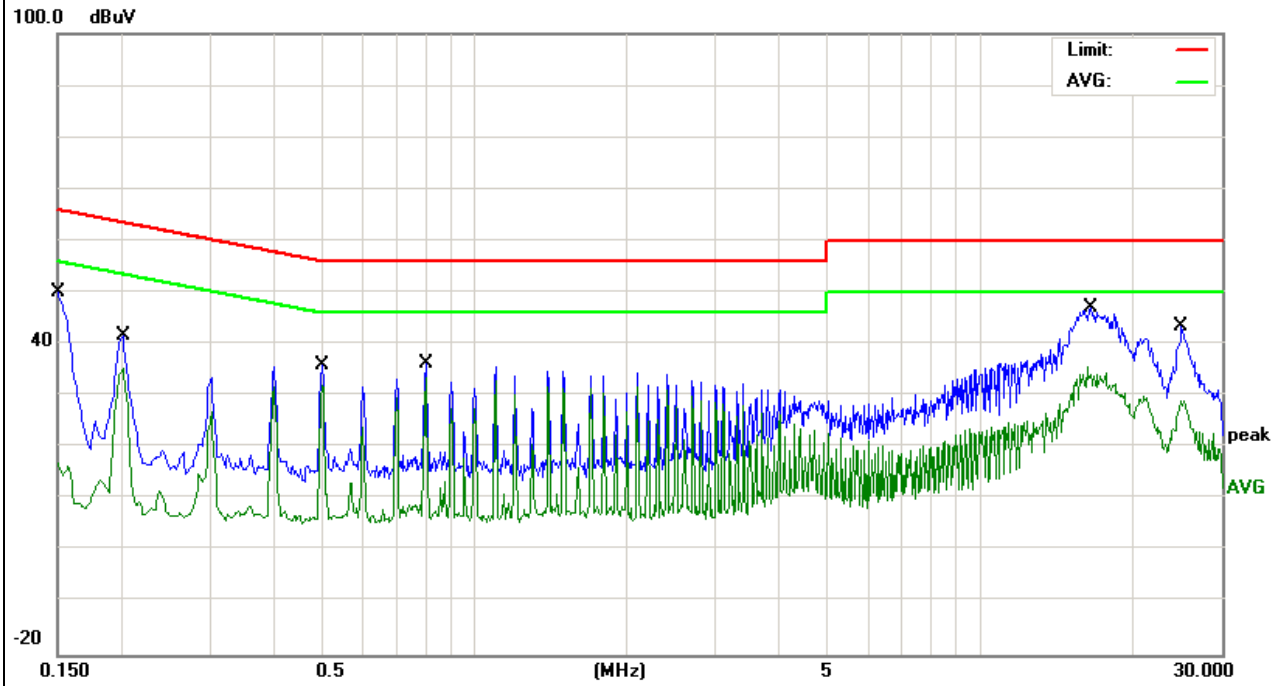


EUT:	Graphic Tablet (Pen Tablet)	Model Name. :	G10T
Temperature:	26 °C	Relative Humidity:	54%
Pressure:	1010hPa	Test Date:	2016-9-21
Test Mode:	Mode 1	Phase :	N
Test Voltage:	DC 3.7V From Adapter AC 120V/60Hz		

Frequency (MHz)	Reading Level (dBμV)	Correct Factor (dB)	Measure-ment (dBμV)	Limits (dBμV)	Margin (dB)	Remark
0.15	39.89	10.08	49.97	65.99	-16.02	QP
0.15	21.83	10.08	31.91	55.99	-24.08	AVG
0.202	31.69	10.02	41.71	63.52	-21.81	QP
0.202	16.33	10.02	26.35	53.52	-27.17	AVG
0.502	26.01	9.83	35.84	56.00	-20.16	QP
0.502	15.29	9.83	25.12	46.00	-20.88	AVG
0.802	26.36	9.84	36.20	56.00	-19.80	QP
0.802	10.30	9.84	20.14	46.00	-25.86	AVG
16.5339	37.12	9.96	47.08	60.00	-12.92	QP
16.5339	12.36	9.96	22.32	50.00	-27.68	AVG
25.0419	33.25	10.14	43.39	60.00	-16.61	QP
25.0419	11.33	10.14	21.47	50.00	-28.53	AVG

Remark:

1. All readings are Quasi-Peak and Average values.
2. Factor = Insertion Loss + Cable Loss.

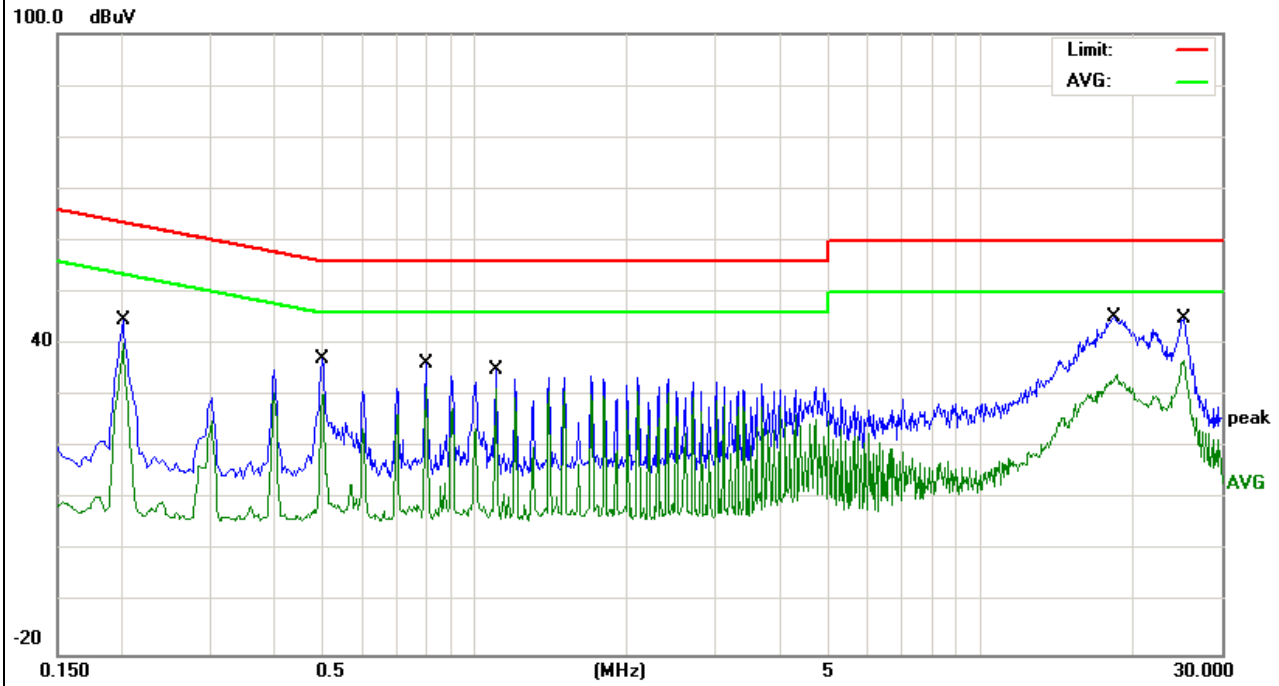


EUT:	Graphic Tablet (Pen Tablet)	Model Name. :	G10T
Temperature:	26 °C	Relative Humidity:	54%
Pressure:	1010hPa	Test Date:	2016-9-21
Test Mode:	Mode 1	Phase :	L
Test Voltage:	DC 3.7V From Adapter AC 240V/60Hz		

Frequency (MHz)	Reading Level (dBμV)	Correct Factor (dB)	Measure-ment (dBμV)	Limits (dBμV)	Margin (dB)	Remark
0.202	34.39	10.13	44.52	63.52	-19.00	QP
0.202	29.91	10.13	40.04	53.52	-13.48	AVG
0.502	27.47	9.81	37.28	56.00	-18.72	QP
0.502	20.31	9.81	30.12	46.00	-15.88	AVG
0.802	26.41	9.81	36.22	56.00	-19.78	QP
0.802	19.74	9.81	29.55	46.00	-16.45	AVG
1.106	25.07	9.86	34.93	56.00	-21.07	QP
1.106	21.63	9.86	31.49	46.00	-14.51	AVG
18.3779	35.18	10.05	45.23	60.00	-14.77	QP
18.3779	23.97	10.05	34.02	50.00	-15.98	AVG
25.206	34.84	10.15	44.99	60.00	-15.01	QP
25.206	15.54	10.15	25.69	50.00	-24.31	AVG

Remark:

1. All readings are Quasi-Peak and Average values.
2. Factor = Insertion Loss + Cable Loss.

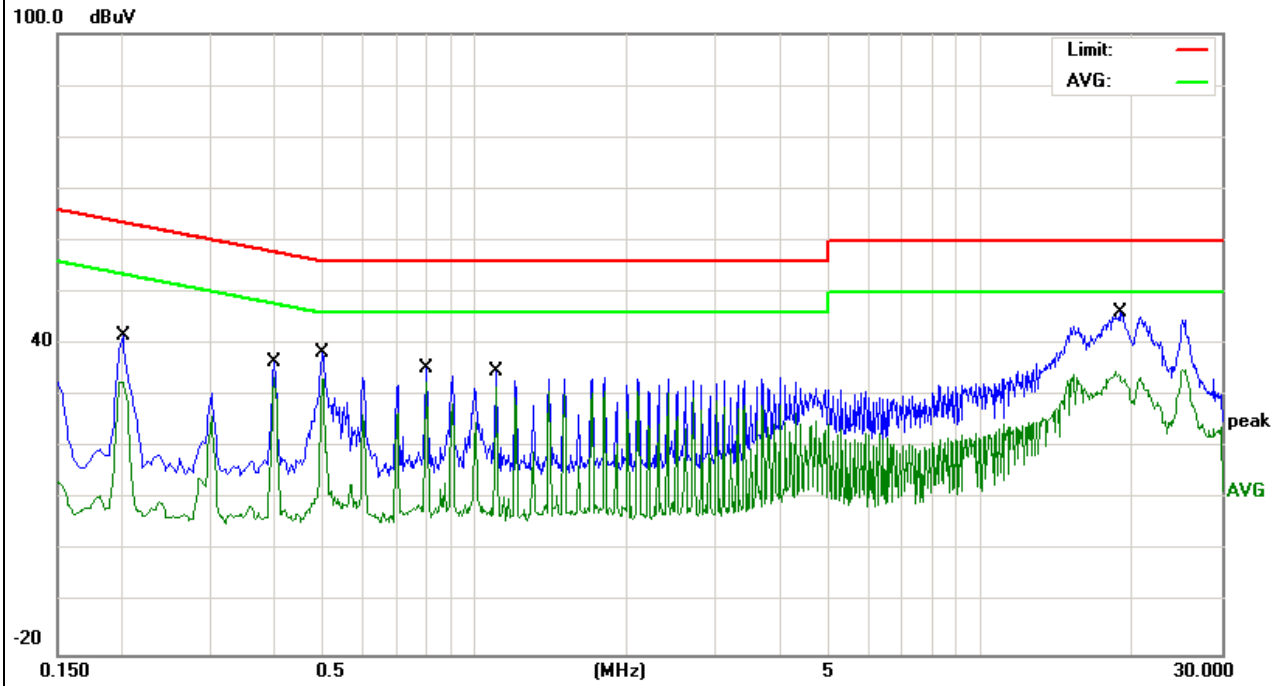


EUT:	Graphic Tablet (Pen Tablet)	Model Name. :	G10T
Temperature:	26 °C	Relative Humidity:	54%
Pressure:	1010hPa	Test Date:	2016-9-21
Test Mode:	Mode 1	Phase :	N
Test Voltage:	DC 3.7V From Adapter AC 240V/60Hz		

Frequency (MHz)	Reading Level (dBμV)	Correct Factor (dB)	Measure-ment (dBμV)	Limits (dBμV)	Margin (dB)	Remark
0.202	31.56	10.02	41.58	63.52	-21.94	QP
0.202	23.53	10.02	33.55	53.52	-19.97	AVG
0.402	26.4	10.06	36.46	57.81	-21.35	QP
0.402	16.41	10.06	26.47	47.81	-21.34	AVG
0.502	28.45	9.83	38.28	56	-17.72	QP
0.502	18.53	9.83	28.36	46	-17.64	AVG
0.8059	25.53	9.84	35.37	56	-20.63	QP
0.8059	19.6	9.84	29.44	46	-16.56	AVG
1.106	24.91	9.88	34.79	56	-21.21	QP
1.106	16.66	9.88	26.54	46	-19.46	AVG
18.898	36.11	10.03	46.14	60	-13.86	QP
18.898	24.59	10.03	34.62	50	-15.38	AVG

Remark:

1. All readings are Quasi-Peak and Average values.
2. Factor = Insertion Loss + Cable Loss.



3.2 RADIATED EMISSION MEASUREMENT

3.2.1 LIMITS OF RADIATED EMISSION MEASUREMENT

FREQUENCY (MHz)	Class A (at 10m)	Class B (at 3m)
	dBuV/m	dBuV/m
30 ~ 88	39.0	40.0
88 ~ 216	43.5	43.5
216 ~ 960	46.5	46.0
Above 960	49.5	54.0

Notes:

- (1) The limit for radiated test was performed according to as following:
FCC PART 15B /ICES-003.
- (2) The tighter limit applies at the band edges.
- (3) Emission level (dBuV/m)=20log Emission level (uV/m).

3.2.2 TEST PROCEDURE

Test Arrangement for Radiated Emissions up to 1 GHz

- a. The EUT was placed on the top of a rotating table 0.8 meters above the ground at an accredited test facility. The table was rotated 360 degrees to determine the position of the highest radiation.
- b. The EUT was set 3 meters away from the interference-receiving antenna, which was mounted on the top of a variable-height antenna tower.
- c. The antenna is a broadband antenna, and its height is varied from one meter to four meters above the ground to determine the maximum value of the field strength. Both horizontal and vertical polarizations of the antenna are set to make the measurement.
- d. For each suspected emission, the EUT was arranged to its worst case and then the antenna was tuned to heights from 1 meter to 4 meters and the rotatable table was turned from 0 degrees to 360 degrees to find the maximum reading.

Note: The resolution bandwidth and video bandwidth of test receiver/spectrum analyzer is 120kHz for quasi-peak detection (QP) at frequency below 1GHz.

Test Arrangement for Radiated Emissions above 1 GHz.

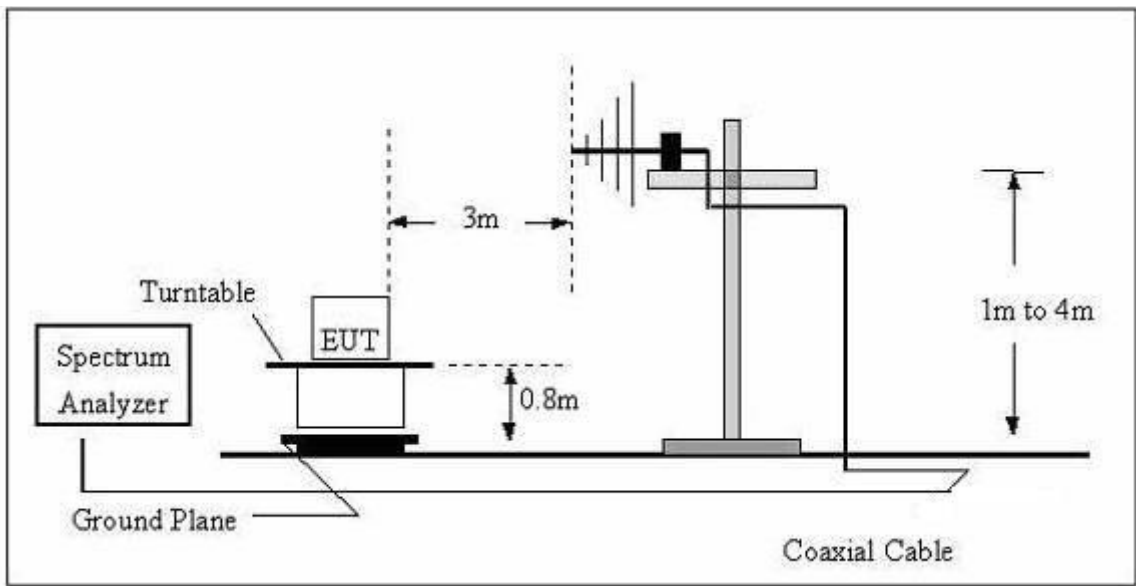
- a. The EUT was placed on the top of a rotating table 0.8 meters above the ground at an accredited chamber room. The table was rotated 360 degrees to determine the position of the highest radiation.
- b. The EUT was set 3 meters away from the interference-receiving antenna, which was mounted on the top of a variable-height antenna tower.
- c. The height of antenna can be varied from one meter to four meters, the height of adjustment depends on the EUT height and the antenna 3dB beamwidth both, to detect the maximum value of the field strength.Both horizontal and vertical polarizations of the antenna are set to make the measurement.
- d. For each suspected emission, the EUT was arranged to its worst case and then the antenna was tuned to heights and the rotatable table was turned from 0 degrees to 360 degrees to find the maximum reading.

Note: For the hand-held device, the EUT should be measured for all 3 axes and only the worst case is recorded in the report
 During the radiated emission test, the Spectrum Analyzer was set with the following configurations:

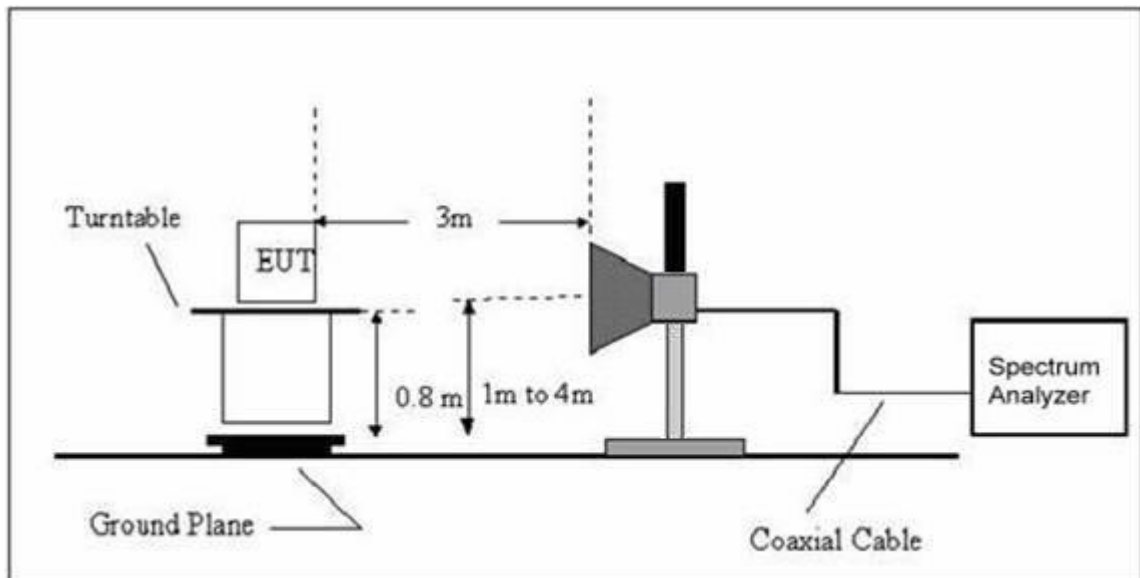
Frequency Band (MHz)	Function	Resolution bandwidth	Video Bandwidth
30 to 1000	QP	120 kHz	300 kHz
Above 1000	Peak	1 MHz	1 MHz
	Avg	1 MHz	10 Hz

3.2.3 TEST SETUP

For Radiated Emission 30~1000MHz



(B) Radiated Emission Test Set-Up Frequency Above 1GHz



3.2.4 TEST RESULTS

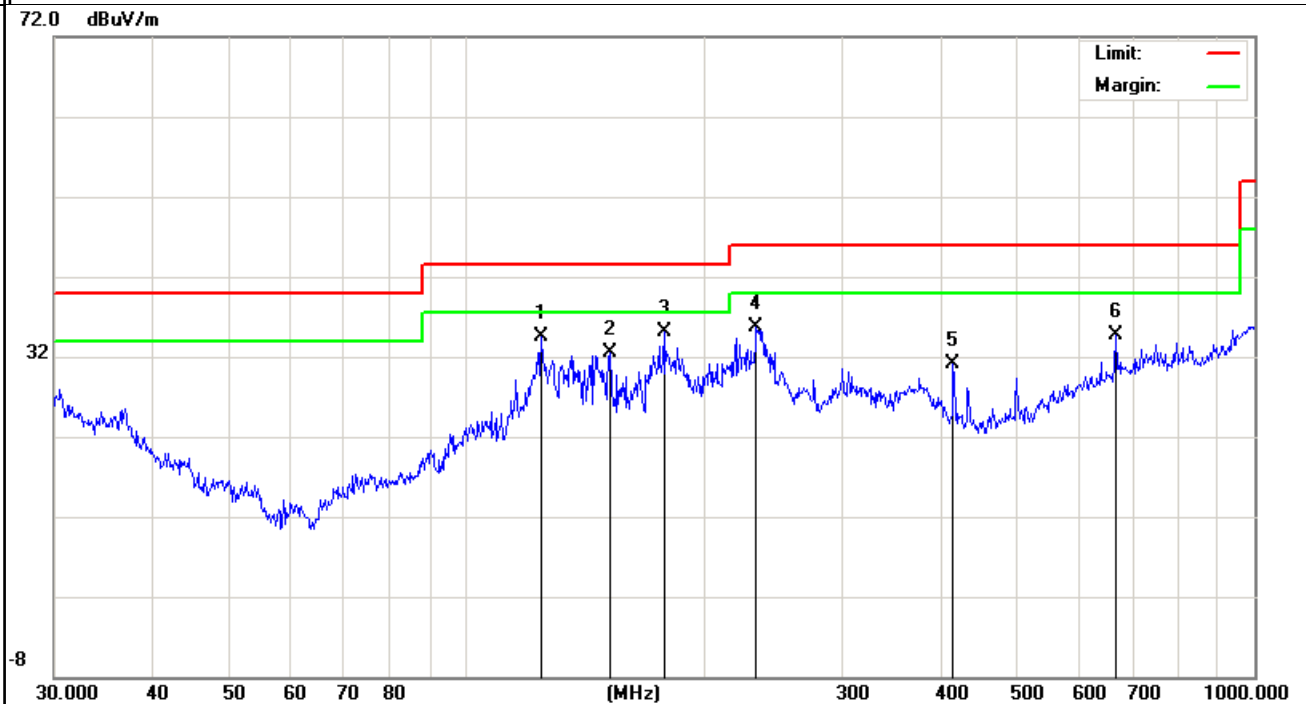
TEST RESULTS (30~1000 MHz)

EUT:	Graphic Tablet (Pen Tablet)	Model Name. :	G10T
Temperature:	24 °C	Relative Humidity:	54%
Pressure:	1010 hPa	Test Date :	2016-9-21
Test Mode :	Mode 1	Polarization :	Horizontal
Test Power :	DC 3.7V From Adapter AC 120V/60Hz		

Polar (H/V)	Frequency	Meter Reading	Factor	Emission Level	Limits	Margin	Remark
	(MHz)	(dBuV)	(dB)	(dBuV/m)	(dBuV/m)	(dB)	
H	124.569	22.77	11.75	34.52	43.50	-8.98	QP
H	152.1297	19.60	12.88	32.48	43.50	-11.02	QP
H	178.1322	21.72	13.30	35.02	43.50	-8.48	QP
H	233.3487	23.67	12.02	35.69	46.00	-10.31	QP
H	414.7223	15.14	15.98	31.12	46.00	-14.88	QP
H	668.1422	12.62	22.06	34.68	46.00	-11.32	QP

Remark:

Factor = Antenna Factor + Cable Loss - Amplifier.

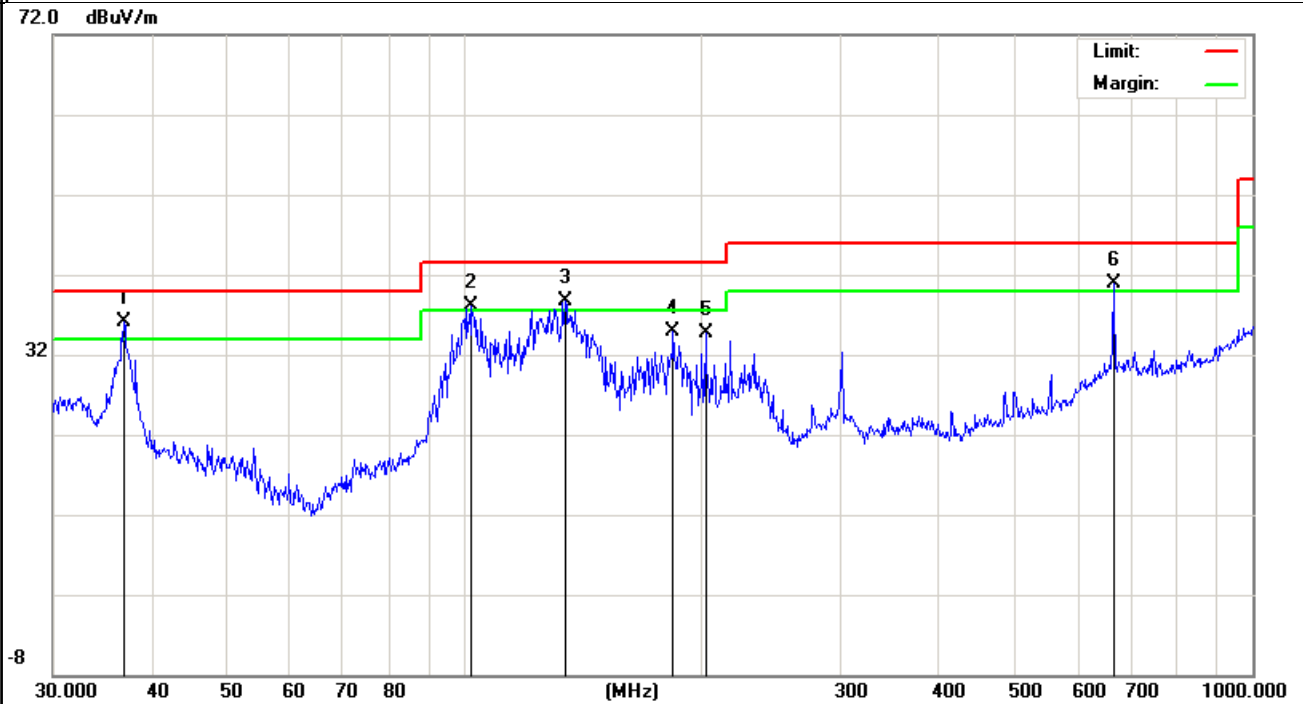


EUT:	Graphic Tablet (Pen Tablet)	Model Name. :	G10T
Temperature:	24 °C	Relative Humidity:	54%
Pressure:	1010 hPa	Test Date :	2016-9-21
Test Mode :	Mode 1	Polarization :	Vertical
Test Power :	DC 3.7V From Adapter AC 120V/60Hz		

Polar (H/V)	Frequency	Meter Reading	Factor	Emission Level	Limits	Margin	Remark
	(MHz)	(dBuV)	(dB)	(dBuV/m)	(dBuV/m)	(dB)	
V	36.8952	19.08	17.08	36.16	40.00	-3.84	QP
V	102.0014	26.86	11.28	38.14	43.50	-5.36	QP
V	134.0882	26.59	12.05	38.64	43.50	-4.86	QP
V	183.8437	21.76	13.11	34.87	43.50	-8.63	QP
V	202.1005	21.99	12.79	34.78	43.50	-8.72	QP
V	665.8034	18.96	22.00	40.96	46.00	-5.04	QP

Remark:

Factor = Antenna Factor + Cable Loss - Amplifier.



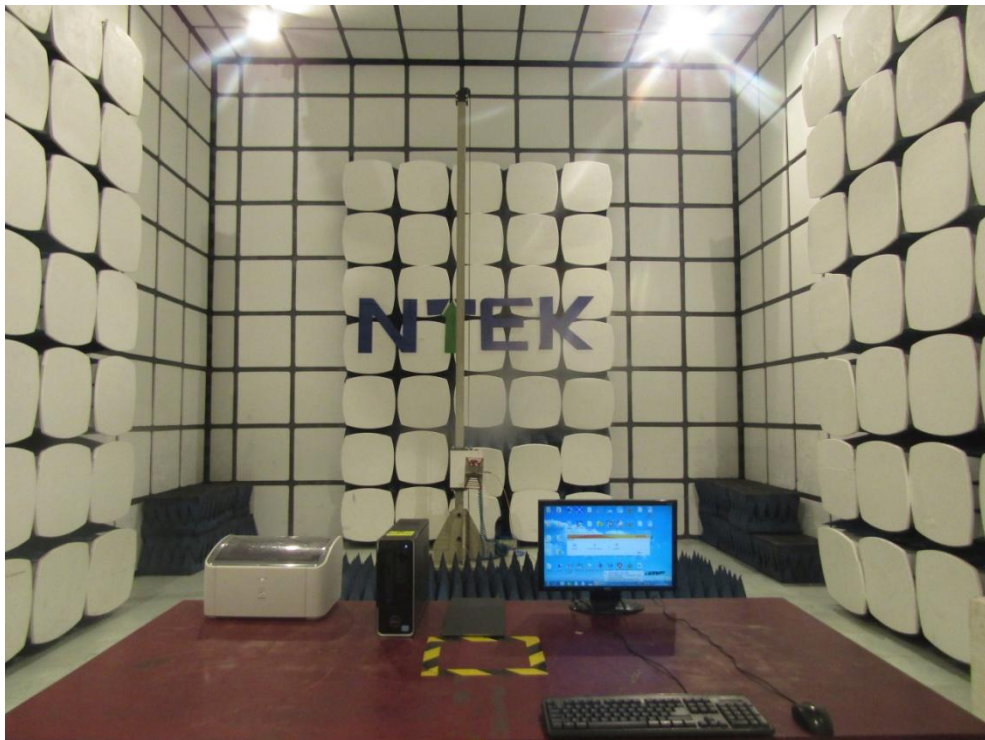
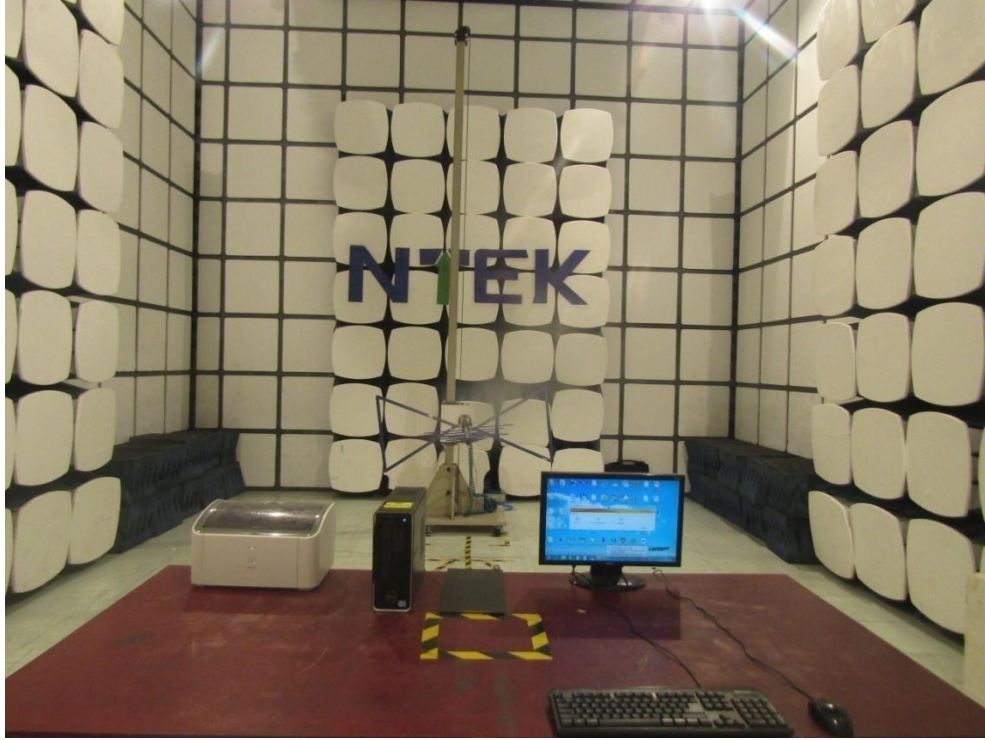
3.2.5 TEST RESULTS(1000~12400MHz)

The Testing have been conformed to 5*2480MHz=12400MHz, and the worst result was report as below:

Polar (H/V)	Frequency	Read Level	Cable loss	Antenna Factor	Preamp Factor	Emission Level	Limits	Margin	Remark	
	(MHz)	(dBμV)	(dB)	dB/m	(dB)	(dBμV/m)	(dBμV/m)	(dB)		
V	2512.25	60.23	2.35	26.46	39.15	49.89	74	-24.11	Pk	Vertical
V	2512.25	40.32	2.35	26.46	39.15	29.98	54	-24.02	AV	Vertical
V	4366.02	58.11	4.12	36.22	41.6	56.85	74	-17.15	Pk	Vertical
V	4366.02	39.65	4.12	36.22	41.6	38.39	54	-15.61	AV	Vertical
H	2405.34	60.12	2.18	24.36	39.13	47.53	74	-26.47	Pk	Horizontal
H	2405.34	41.05	2.18	24.36	39.13	28.46	54	-25.54	AV	Horizontal
H	3211.25	59.33	3.42	31.75	41.21	53.29	74	-20.71	Pk	Horizontal
H	3211.25	38.25	3.42	31.75	41.21	32.21	54	-21.79	AV	Horizontal

4. EUT TEST PHOTO

Radiated Measurement Photos



Conducted Measurement Photos



S