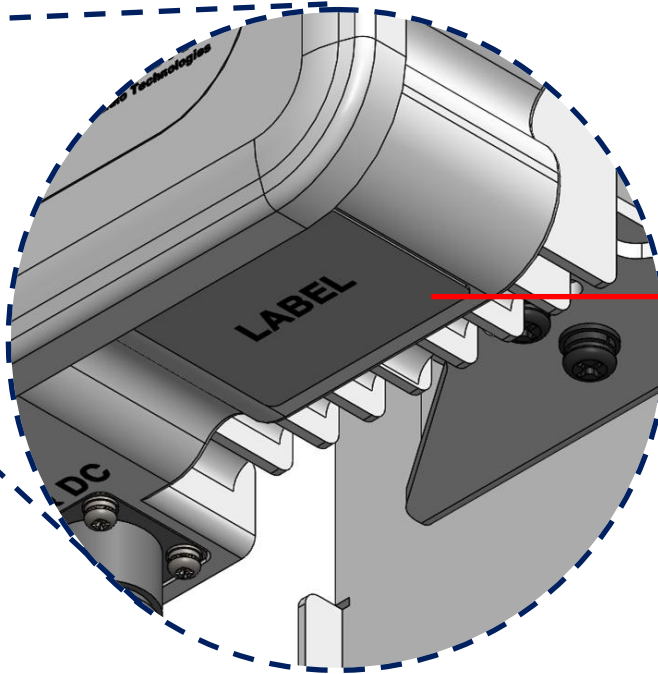
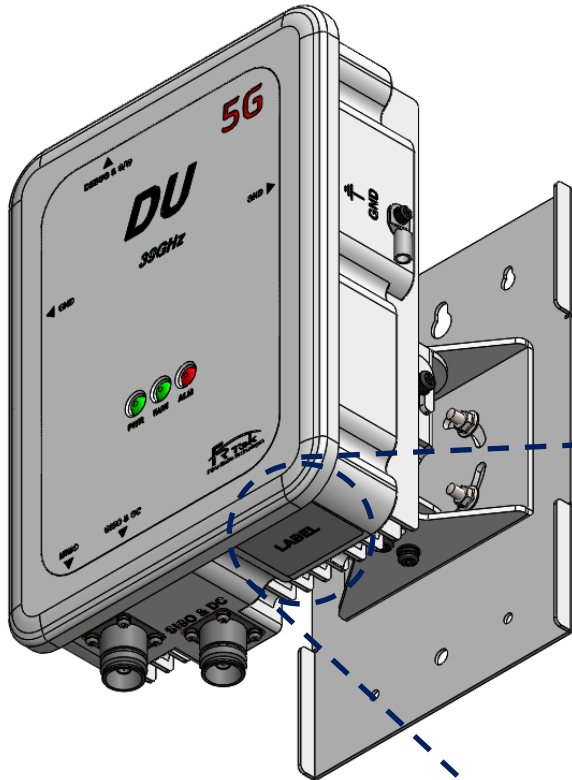


# 1-1. [DU] Label / FCC ID Location



36

**Product name** : 39GHz\_L 5G Wireless Optical DAS DU  
**Model name** : FRM-DU39DL  
**Input rating Power port** : 37 V  $\equiv$  , 1 A  
**Manufacturer S/N** : FRC28-208-0001  
**FCC ID** : 2AFEG-FRM-39L

**Made in Korea**  
This device complies with Part 15 of the FCC Rules. Operation is subject to the following two conditions: (1) this device may not cause harmful interference, and (2) this device must accept any Interference received, including interference that may cause undesired operation.

**UL** US LISTED E 478066 I.T.E. **FRTEK** Fiber Radio Technologies

46

<DU FCC ID Label>

→ Location

# 1-2. [DU] Label / Signal Booster Location

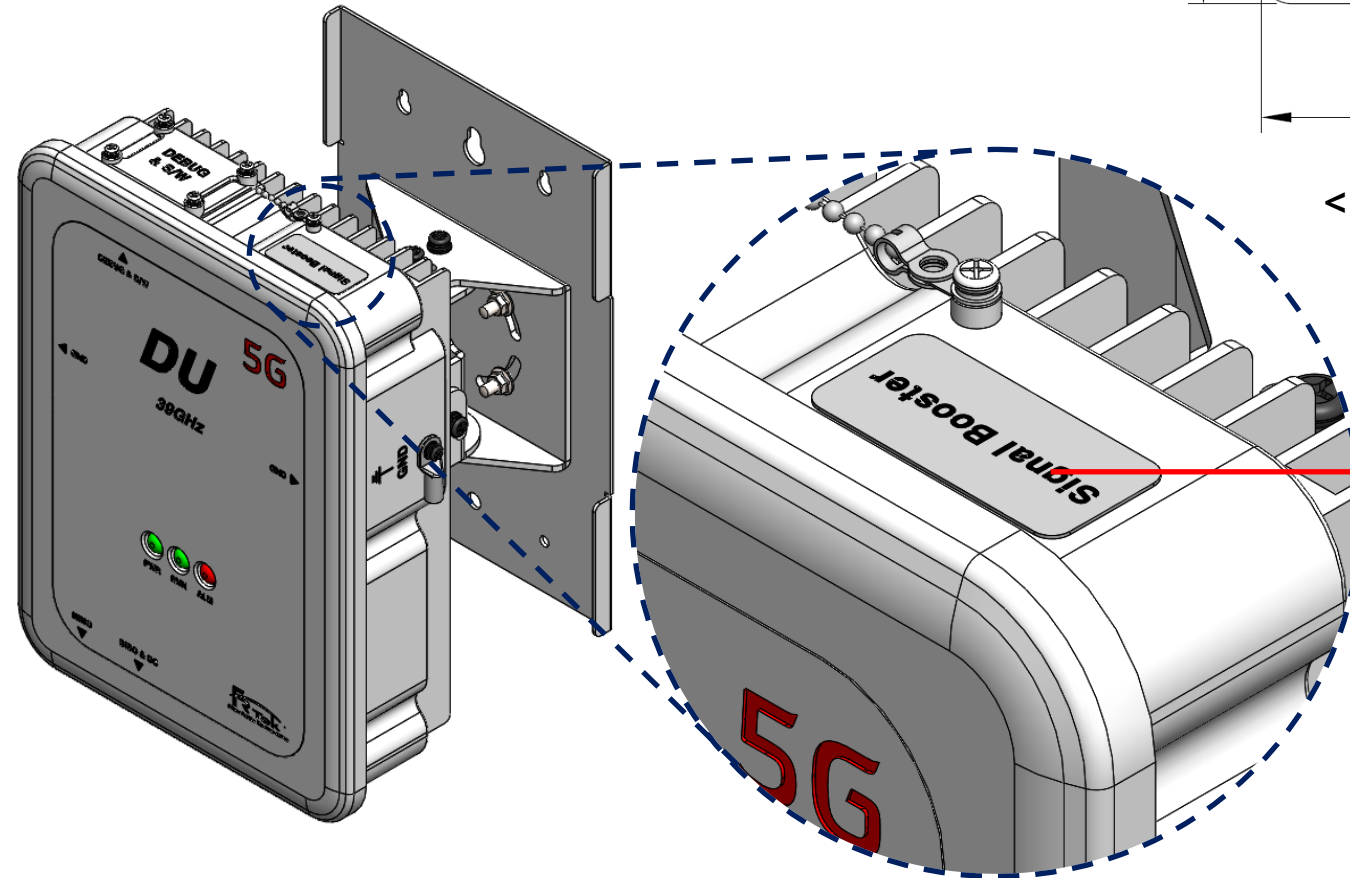
18

**WARNING.** This is **NOT** a **CONSUMER** device. It is designed for installation by **FCC LICENSEES** and **QUALIFIED INSTALLERS**. You **MUST** have an **FCC LICENCE** or express consent of an FCC Licensee to operate this device. Unauthorized use may result in significant forfeiture penalties, including penalties in excess of \$100,000 for each continuing violation.

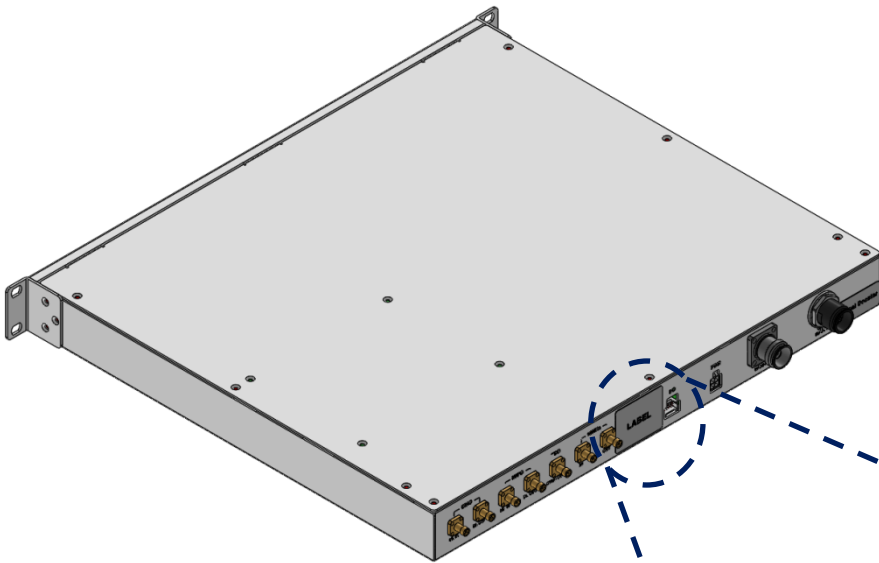
42

<DU Signal Booster Label>

Location



# 2-1. [MDU] Label / FCC ID Location



36

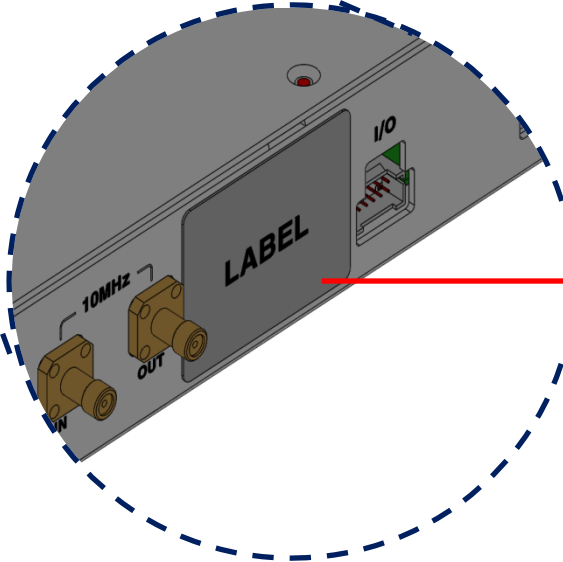
**Product name** : 39GHz\_L 5G Wireless Optical DAS MDU  
**Model name** : FRM-MDU39L  
**Input rating Power port** : 6 V  $\equiv$ , 5 A  
37 V  $\equiv$ , 1 A  
**Output rating Power port** : 37 V  $\equiv$ , 1 A  
**Manufacturer S/N** : FRC29-208-0001  
**FCC ID** : 2AFEG-FRM-39L  
**Made in Korea**  
This device complies with Part 15 of the FCC Rules. Operation is subject to the following two conditions: (1) this device may not cause harmful interference, and (2) this device must accept any interference received, including interference that may cause undesired operation.

**UL** US LISTED  
E 478066 I.T.E.

**FRTEK**  
Fiber Radio Technologies

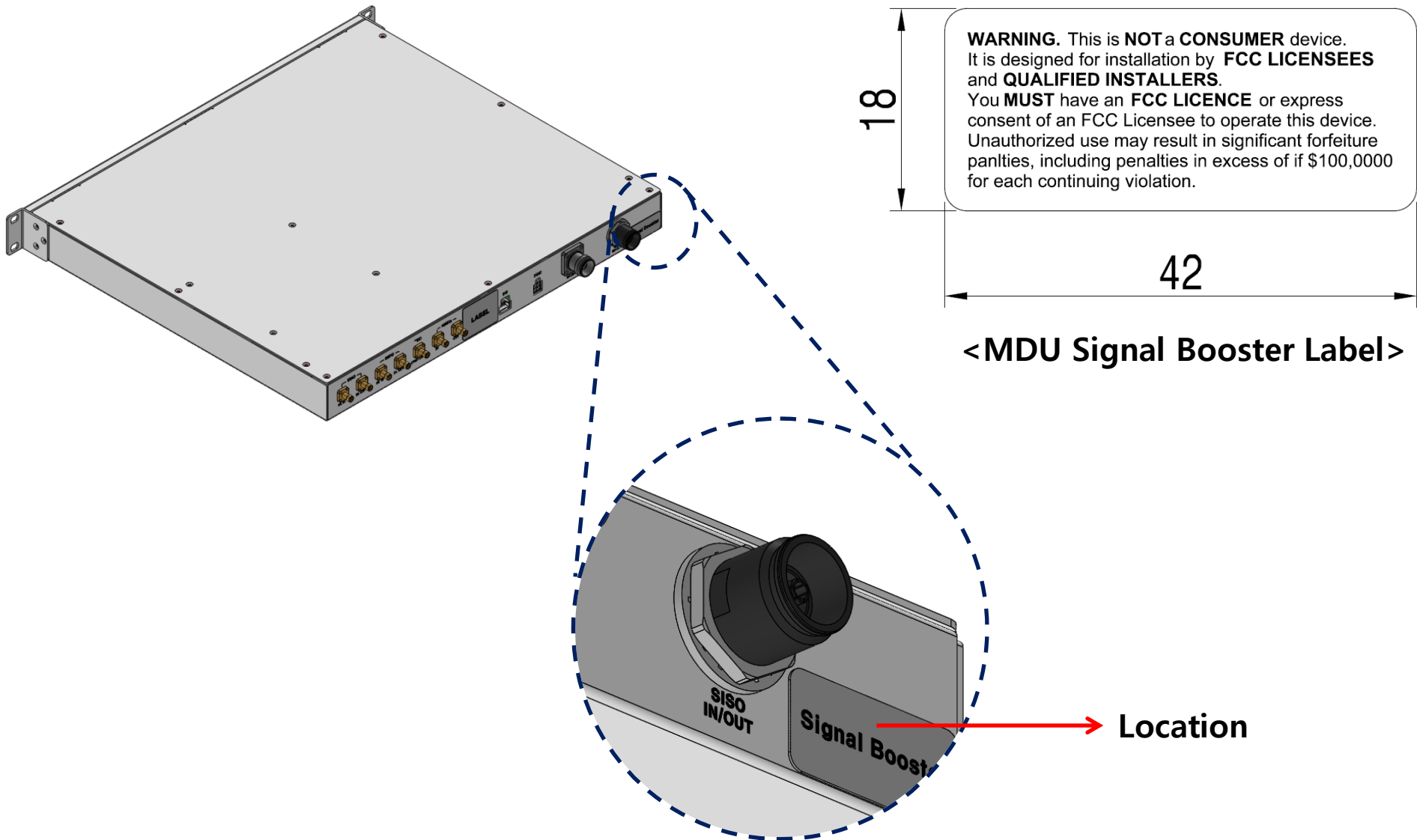
46

<MDU FCC ID Label>

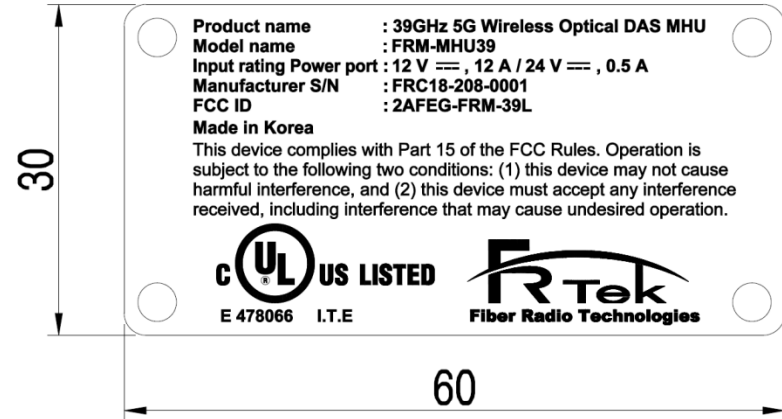
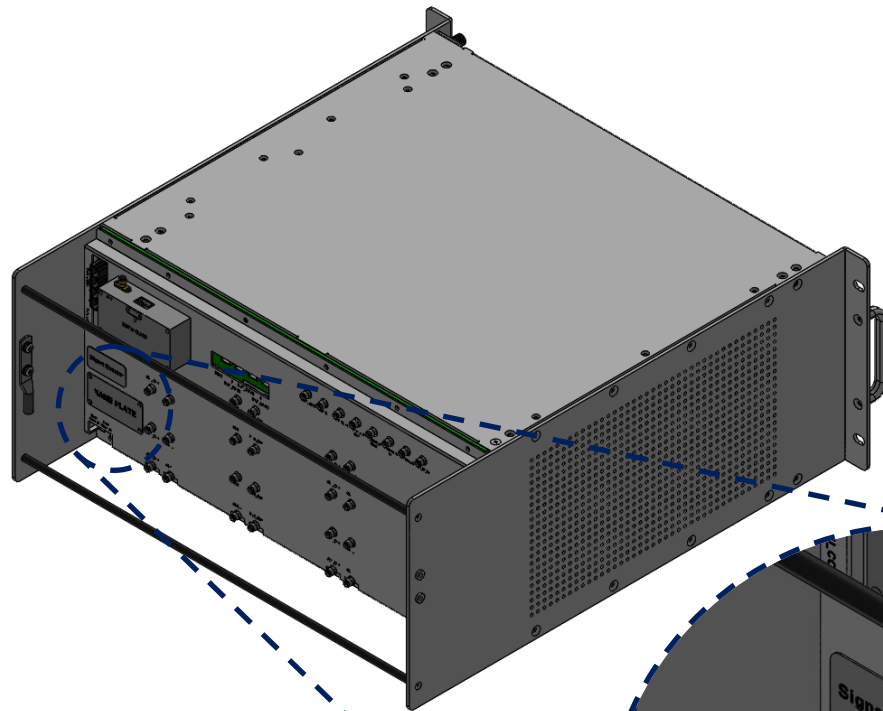


Location

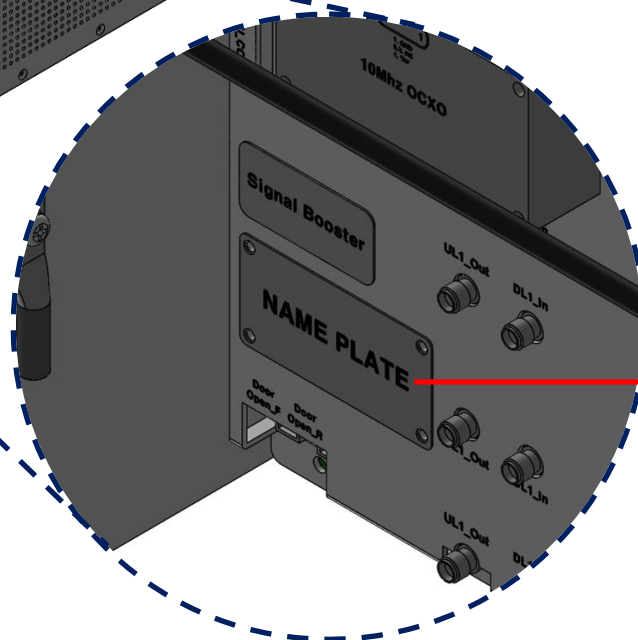
# 2-2. [MDU] Label / Signal Booster Location



# 3-1. [MHU] Name Plate / FCC ID Location

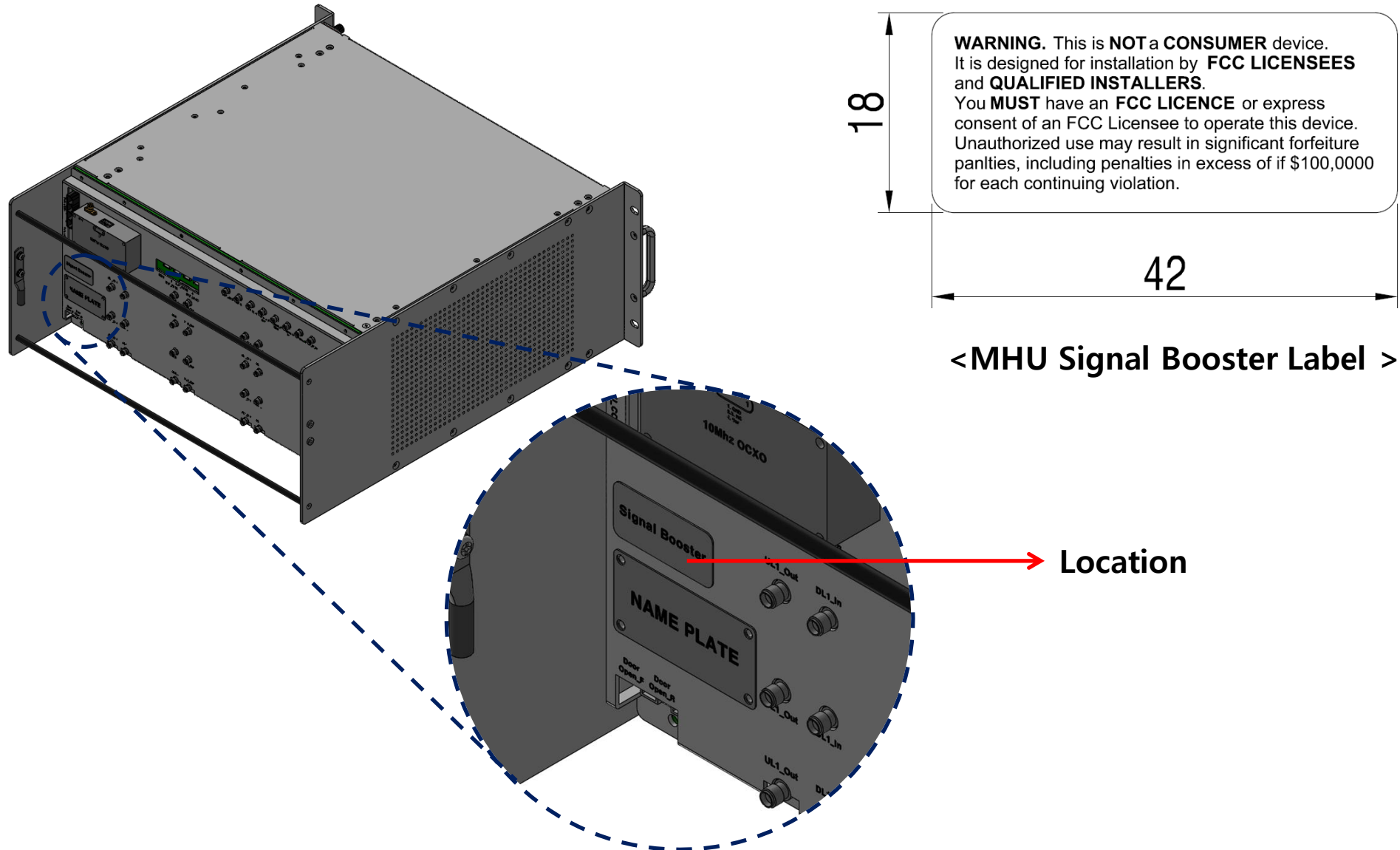


<MHU FCC ID Name Plate>

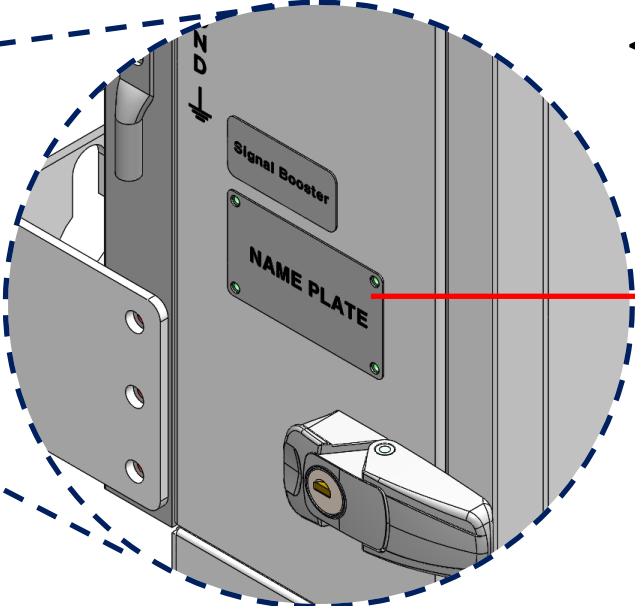
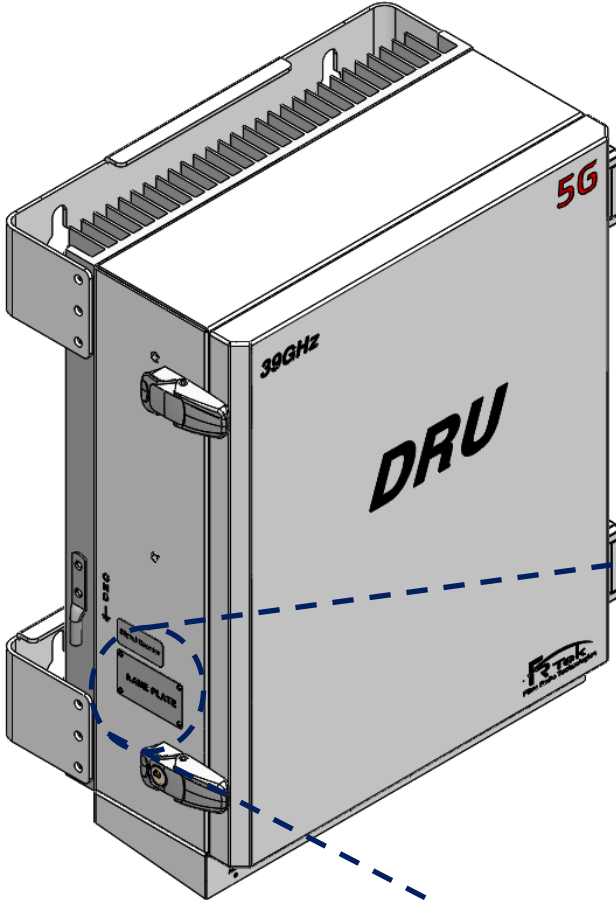


Location

# 3-2. [MHU] Name Plate / Signal Booster Location



# 4-1. [DRU] Name Plate / FCC ID Location



35

Product name	: 39GHz 5G Wireless Optical DAS DRU
Model name	: FRM-DRU39
Input rating Power port	: 120V~, 60Hz, 2 A
Output rating Power port	: MIMO # 1 (37 V $\overline{=}$ , 1 A) / MIMO # 2 (37 V $\overline{=}$ , 1 A) MIMO # 3 (37 V $\overline{=}$ , 1 A) / MIMO # 4 (37 V $\overline{=}$ , 1 A)
Manufacturer S/N	: FRC19-208-0001
FCC ID	: 2AFEG-FRM-39L
Made in Korea	
This device complies with Part 15 of the FCC Rules. Operation is subject to the following two conditions: (1) this device may not cause harmful interference, and (2) this device must accept any interference received, including interference that may cause undesired operation.	

60

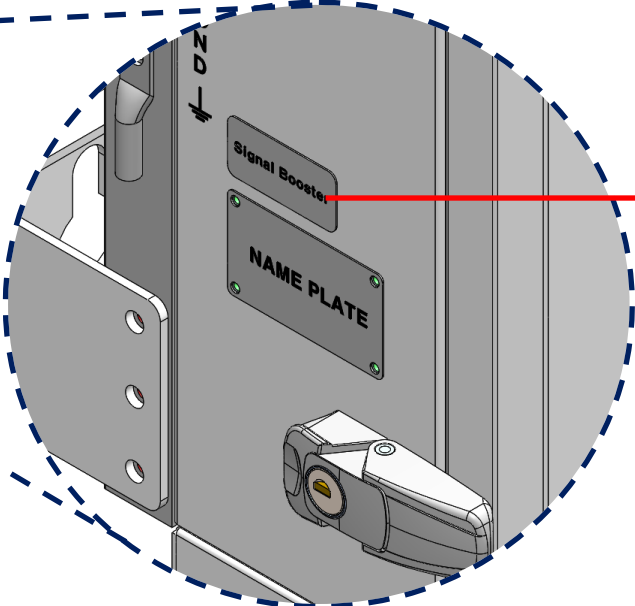
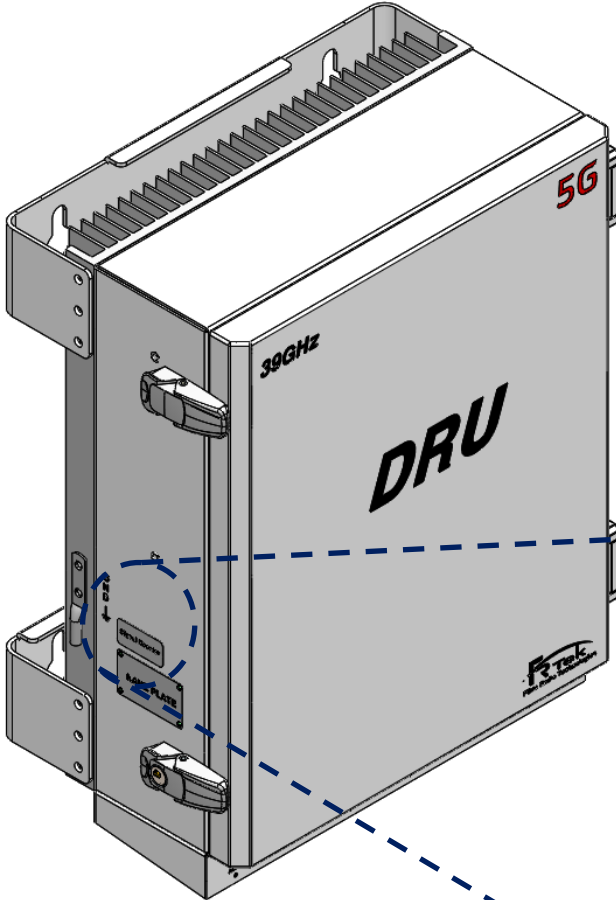
UL US LISTED E 478066 I.T.E. Rtek Fiber Radio Technologies

<DRU FCC ID Name Plate >

Location



# 4-2. [DRU] Name Plate / Signal Booster Location



18

**WARNING.** This is **NOT** a **CONSUMER** device. It is designed for installation by **FCC LICENSEES** and **QUALIFIED INSTALLERS**. You **MUST** have an **FCC LICENCE** or express consent of an FCC Licensee to operate this device. Unauthorized use may result in significant forfeiture panlties, including penalties in excess of if \$100,000 for each continuing violation.

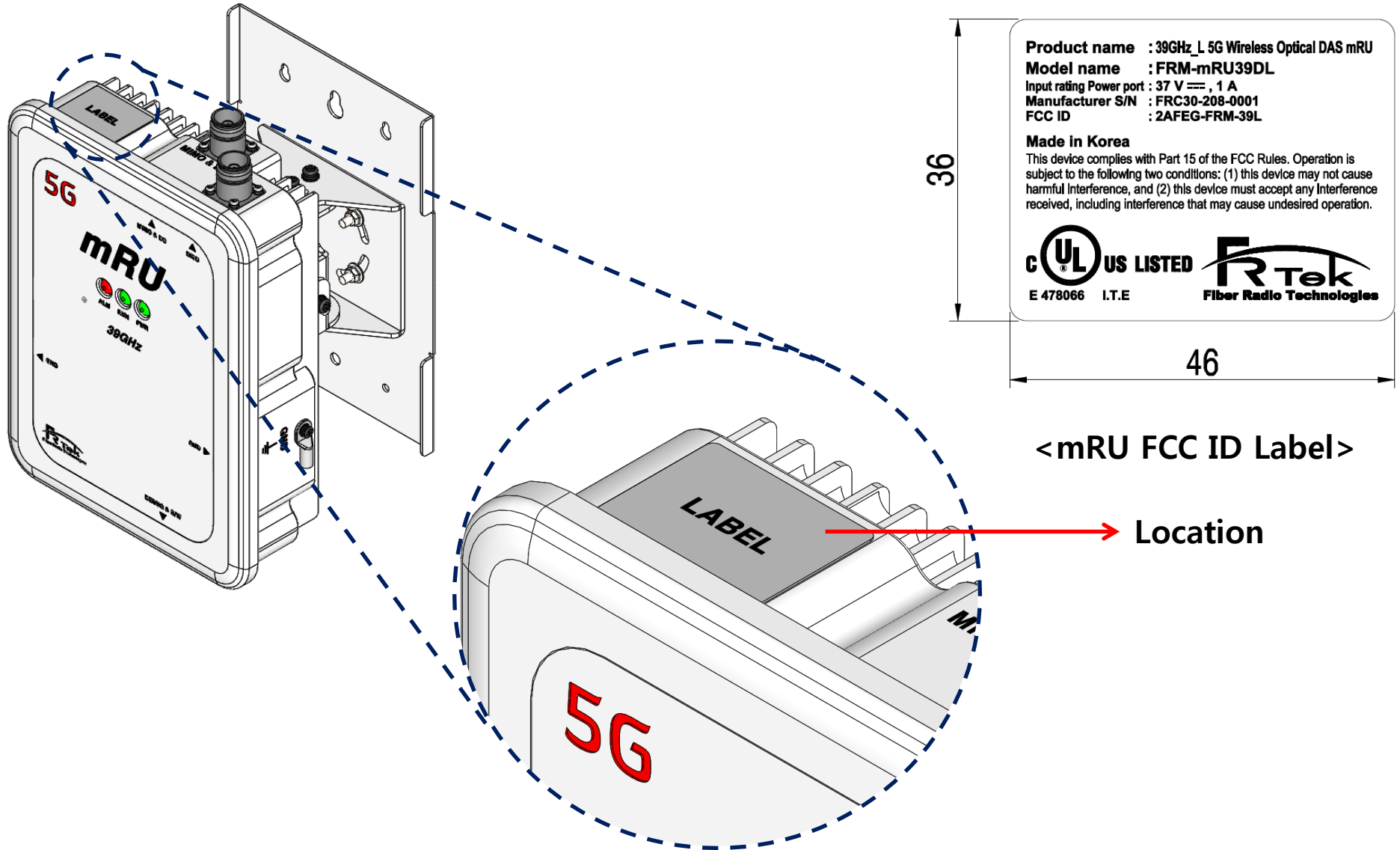
42

<DRU Signal Booster Label>

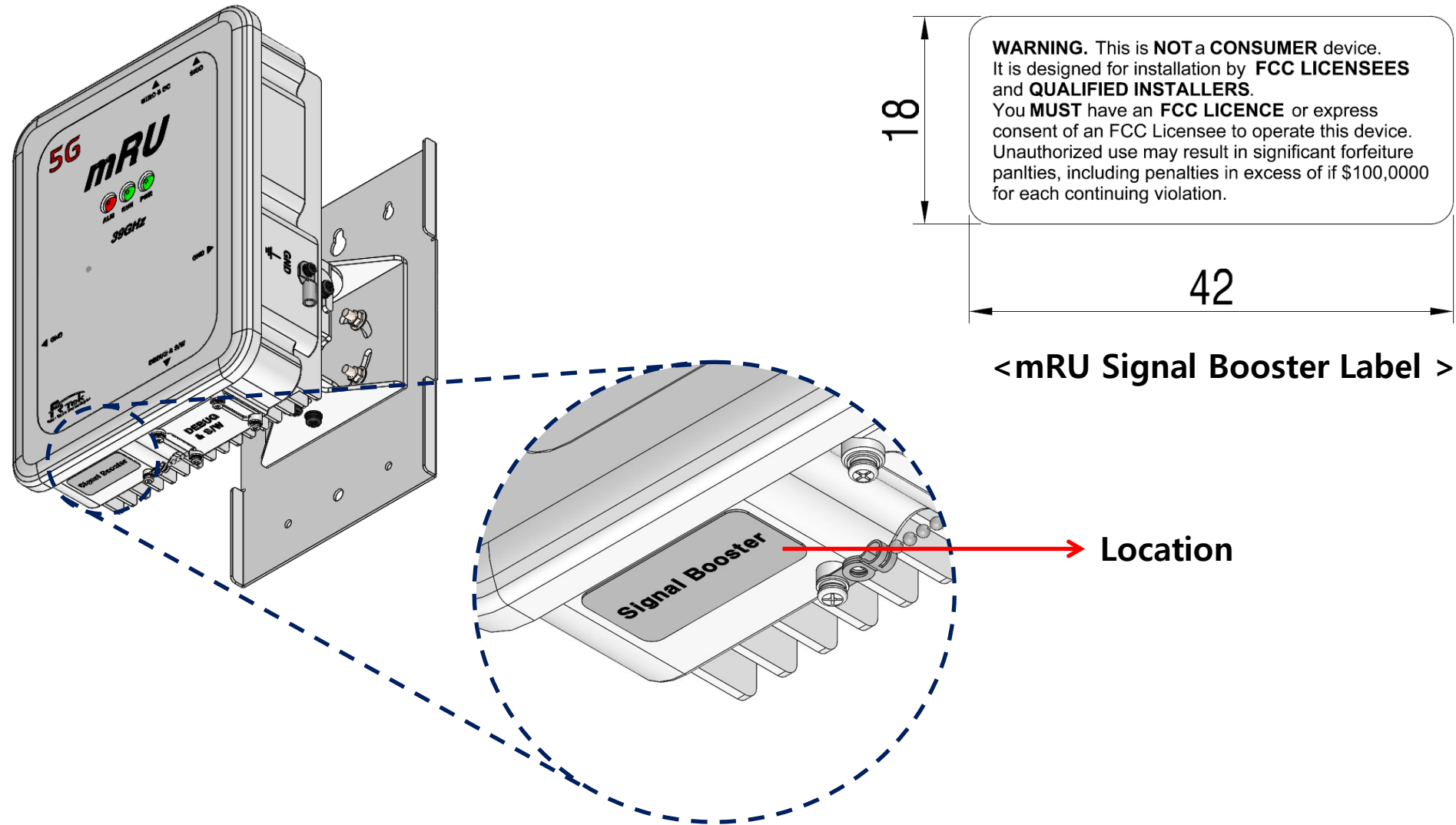
Location



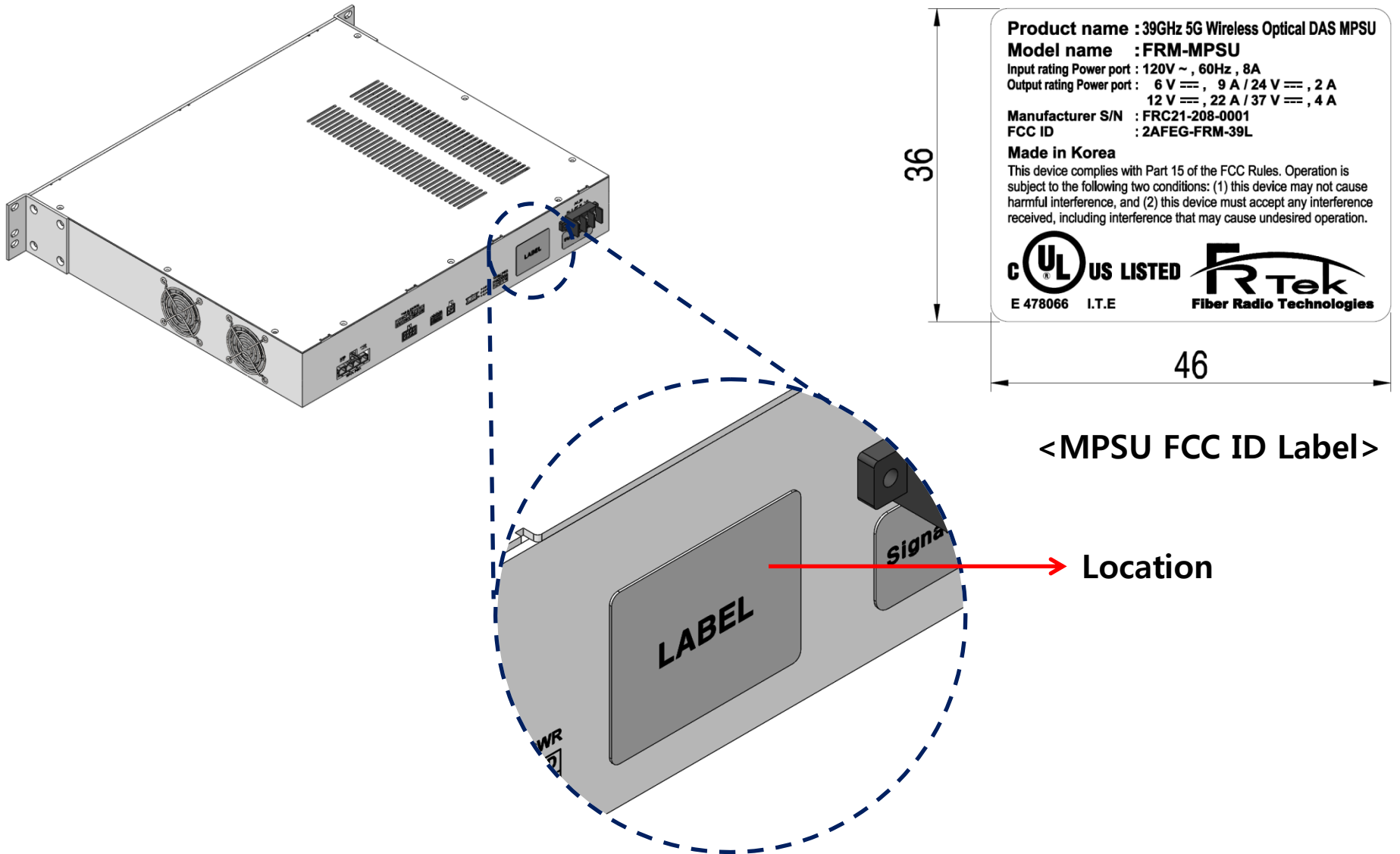
# 5-1. [mRU] Label / FCC ID Location



# 5-2. [mRU] Label / Signal Booster Location



# 6-1. [MPSU] Label / FCC ID Location



# 6-2. [MPSU] Label / Signal Booster Location

