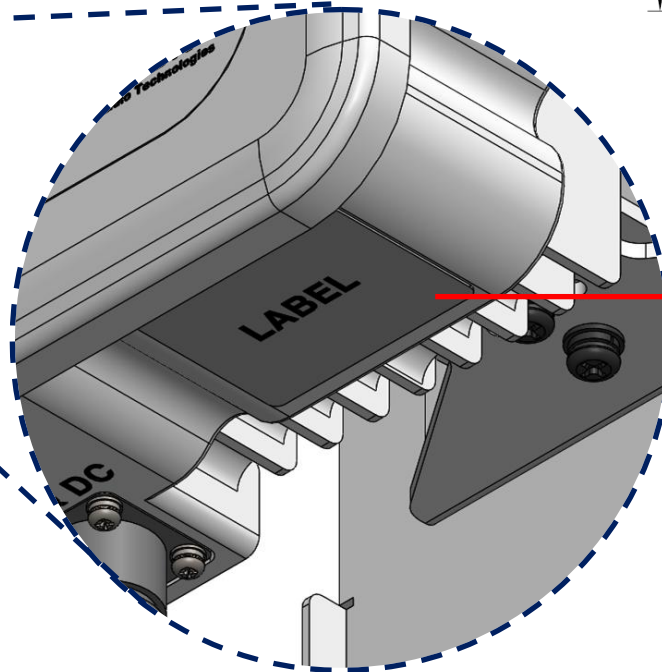
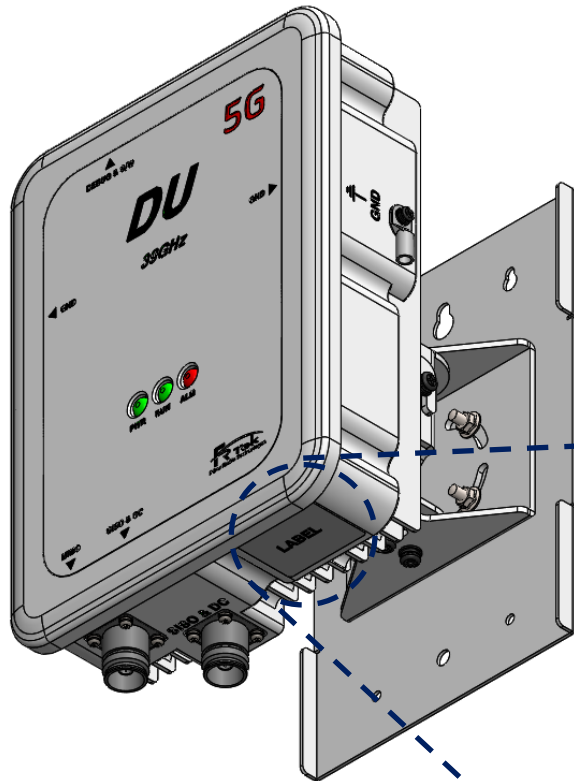




1-1. [DU] Label / FCC ID Location



36

Product name : 39GHz 5G Wireless Optical DAS DU
Model name : FRM-DU39D
Input rating Power port : 37 V \equiv , 1 A
Manufacturer S/N : FRC16-208-XXXX
FCC ID : 2AFEG-FRM-39

Made in Korea
This device complies with Part 15 of the FCC Rules. Operation is subject to the following two conditions: (1) this device may not cause harmful interference, and (2) this device must accept any interference received, including interference that may cause undesired operation.

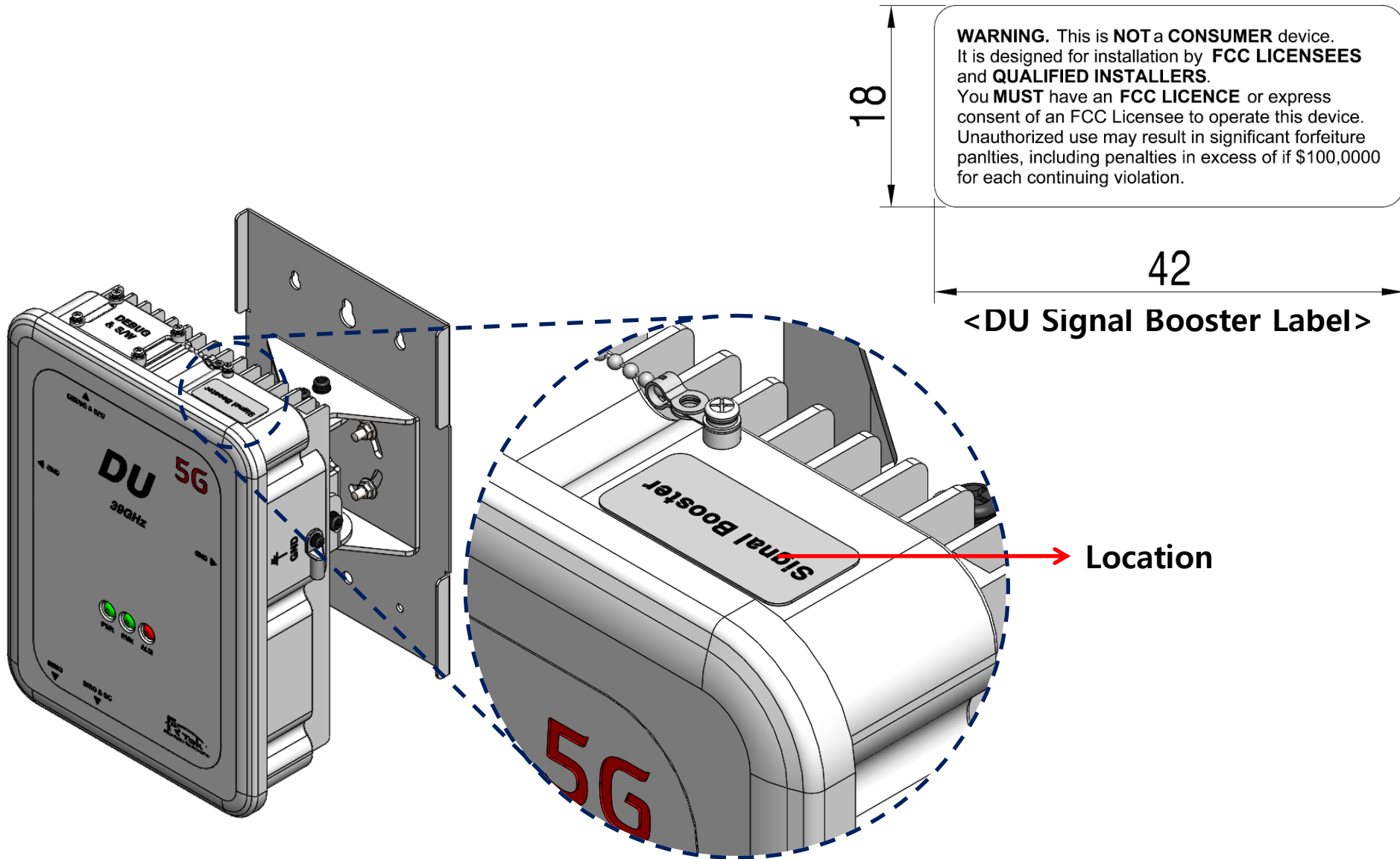
E 478066 I.T.E

46

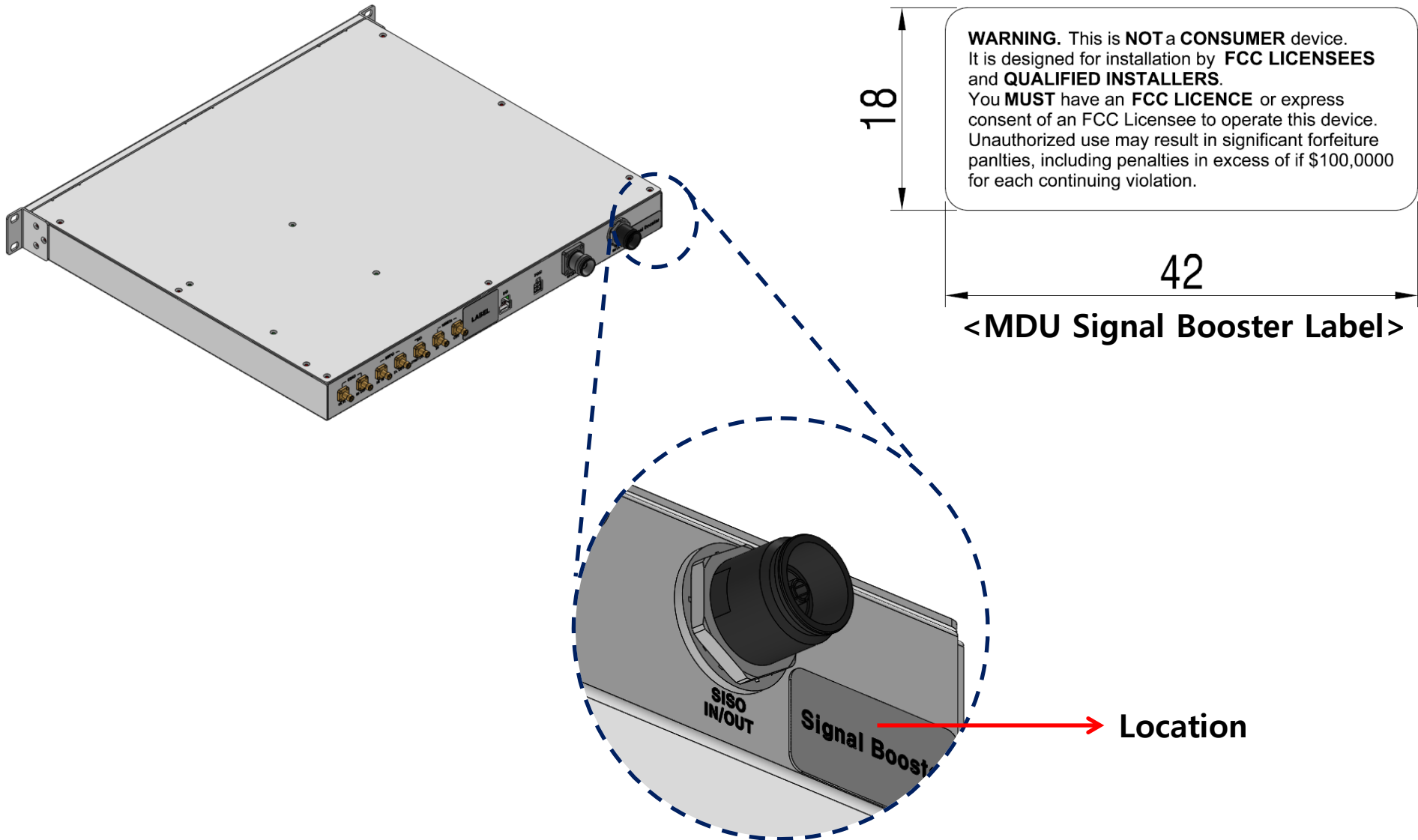
<DU FCC ID Label>

→ Location

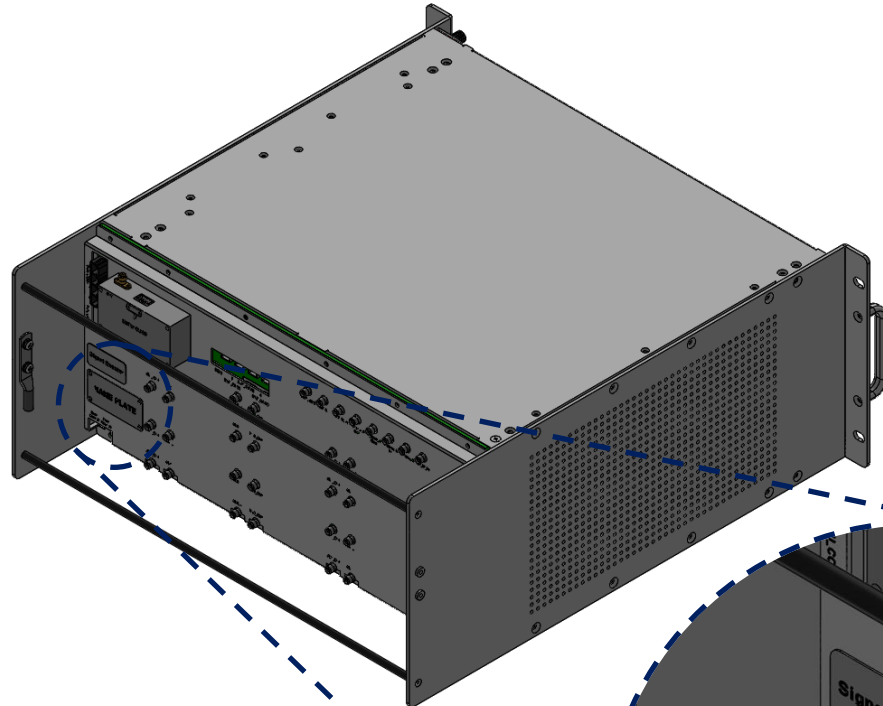
1-2. [DU] Label / Signal Booster Location



2-2. [MDU] Label / Signal Booster Location




3-1. [MHU] Name Plate / FCC ID Location




30

Product name : 39GHz 5G Wireless Optical DAS MHU
 Model name : FRM-MHU39
 Input rating Power port : 12 V $\overline{=}$, 12 A / 24 V $\overline{=}$, 0.5 A
 Manufacturer S/N : FRC18-208-XXXX
 FCC ID : 2AFEG-FRM-39
 Made in Korea

This device complies with Part 15 of the FCC Rules. Operation is subject to the following two conditions: (1) this device may not cause harmful interference, and (2) this device must accept any interference received, including interference that may cause undesired operation.

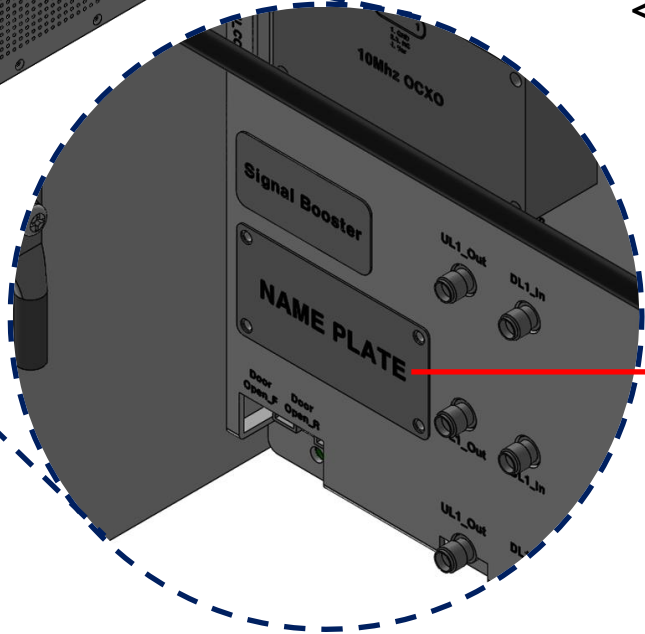


US LISTED
E 478066 I.T.E



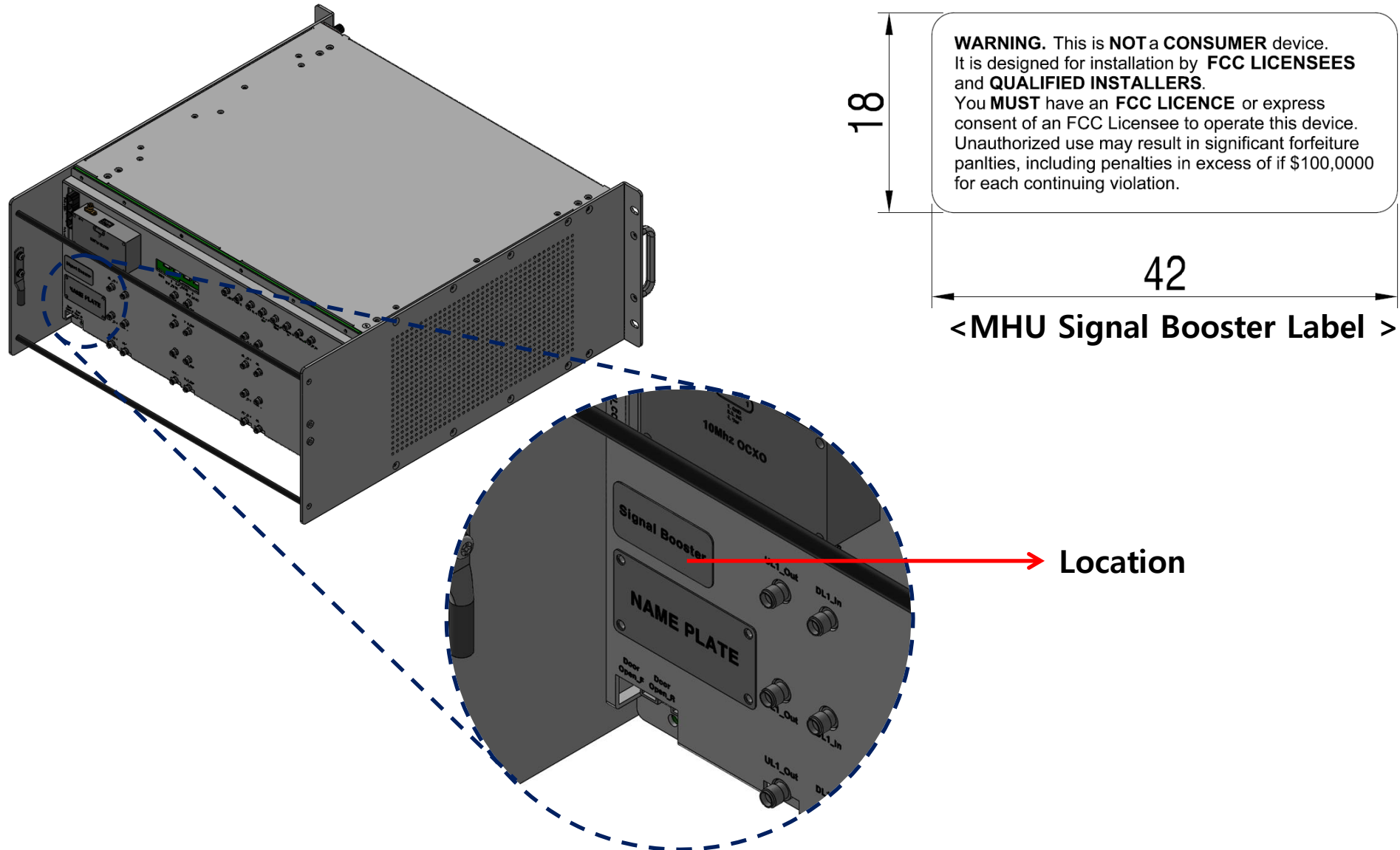
60

<MHU FCC ID Name Plate>

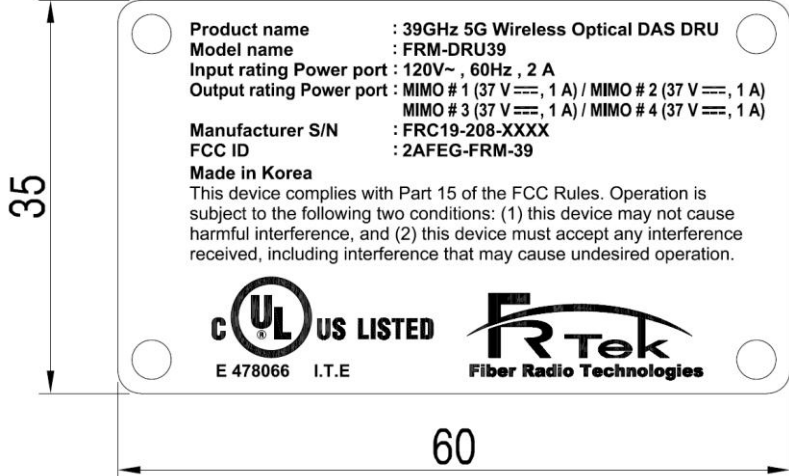
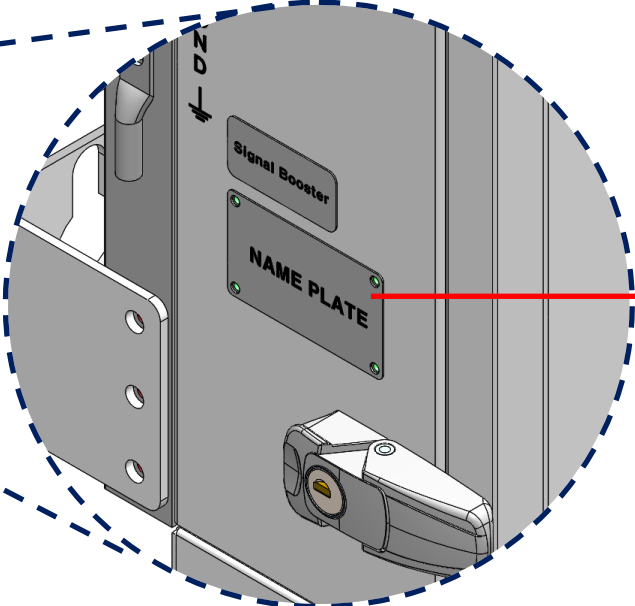
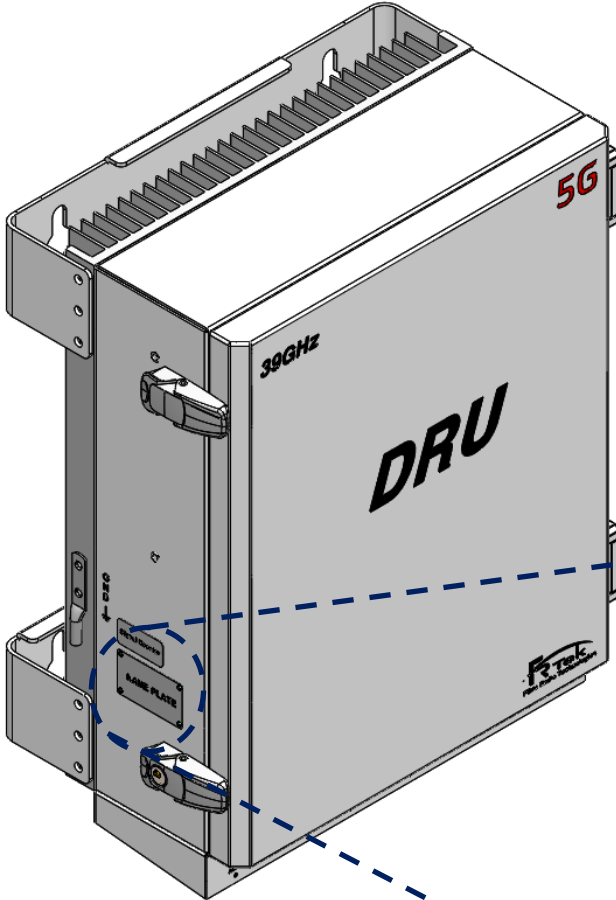


Location

3-2. [MHU] Name Plate / Signal Booster Location

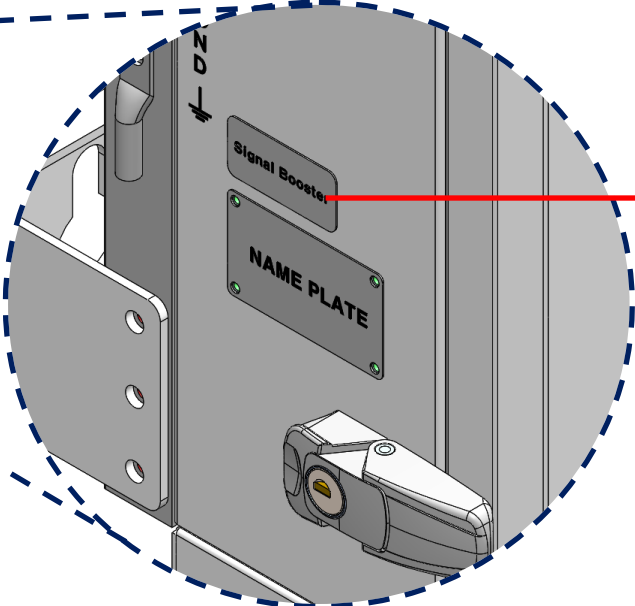
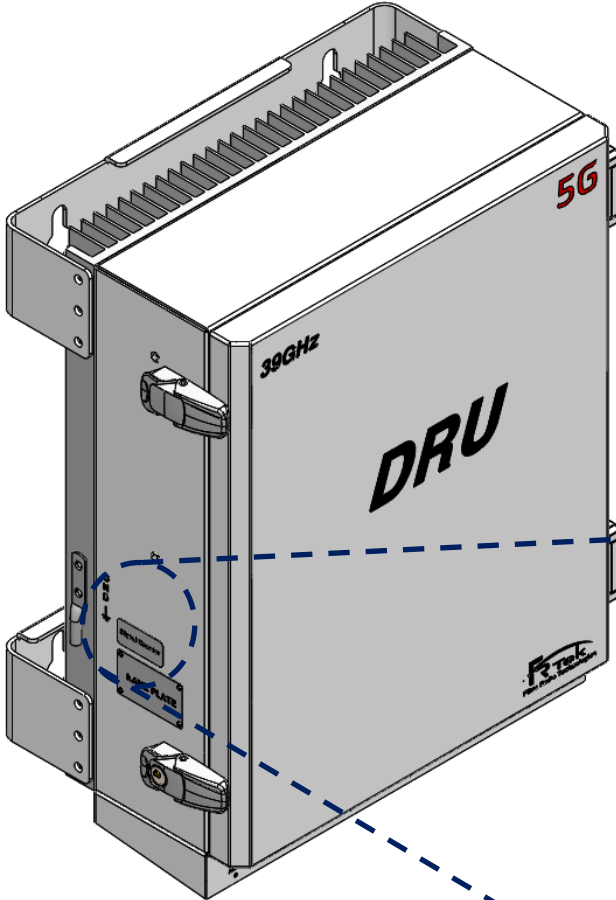


4-1. [DRU] Name Plate / FCC ID Location



<DRU FCC ID Name Plate >

4-2. [DRU] Name Plate / Signal Booster Location



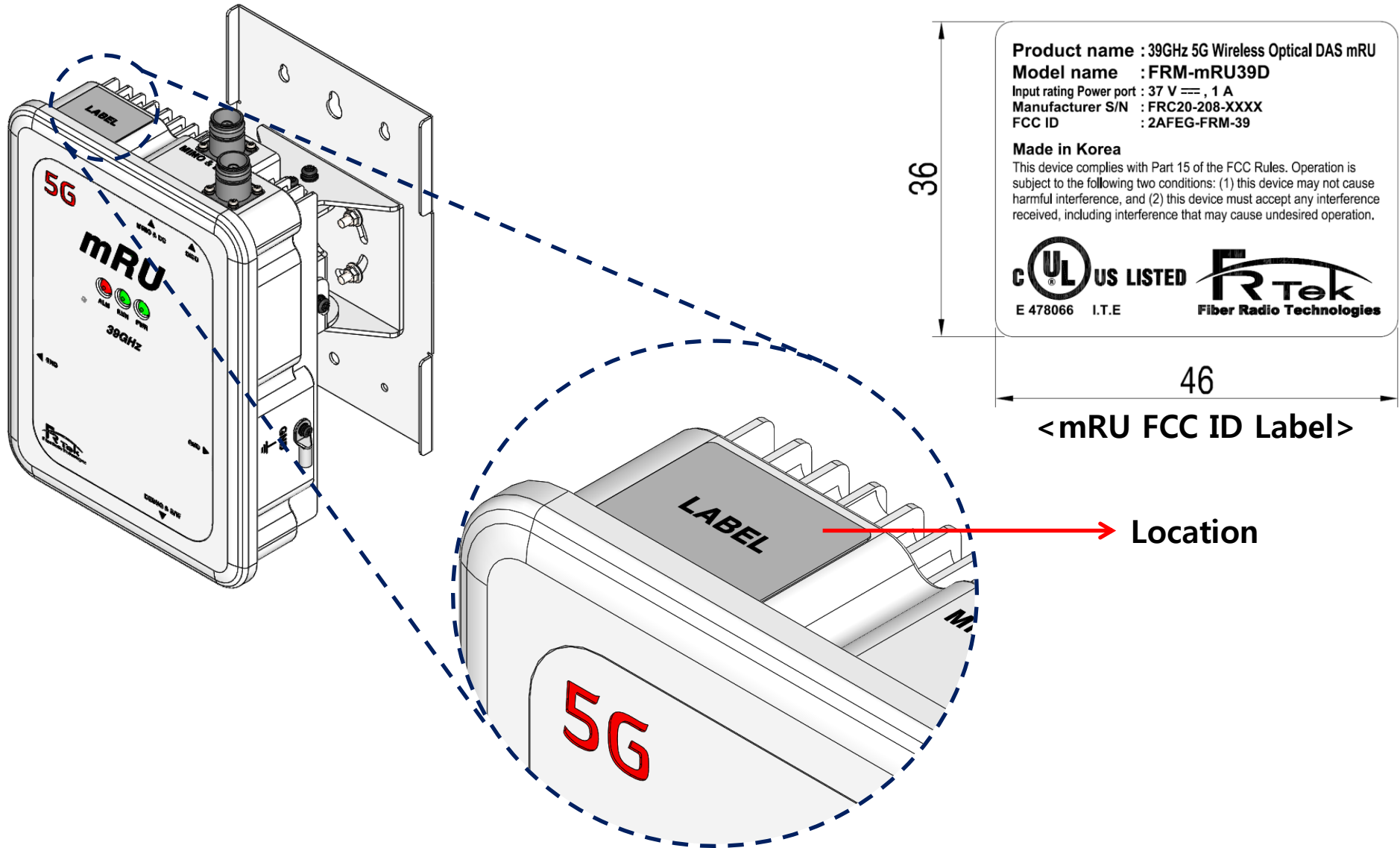
18

WARNING. This is **NOT** a **CONSUMER** device. It is designed for installation by **FCC LICENSEES** and **QUALIFIED INSTALLERS**. You **MUST** have an **FCC LICENCE** or express consent of an FCC Licensee to operate this device. Unauthorized use may result in significant forfeiture panlties, including penalties in excess of if \$100,000 for each continuing violation.

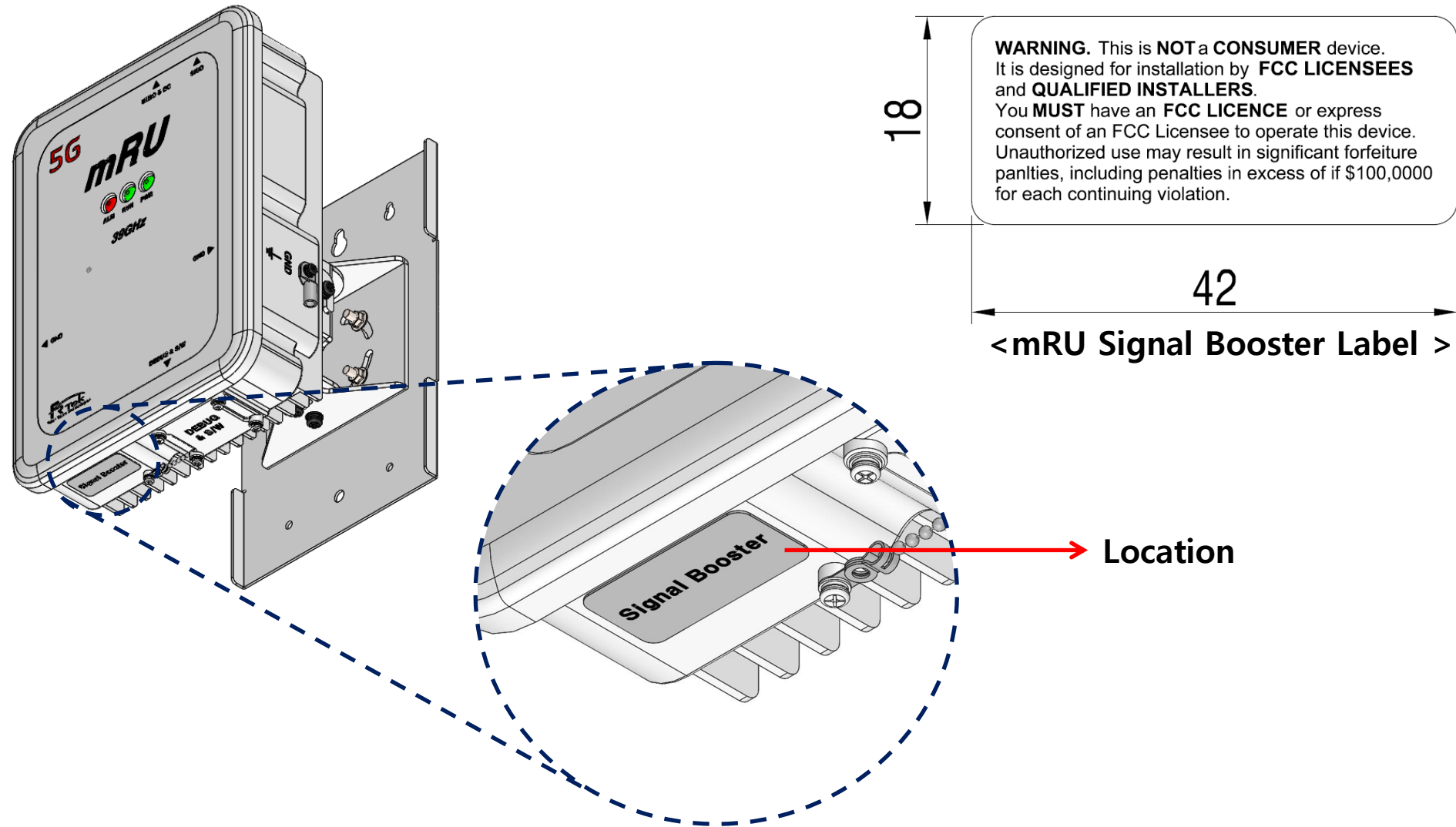
42

<DRU Signal Booster Label>

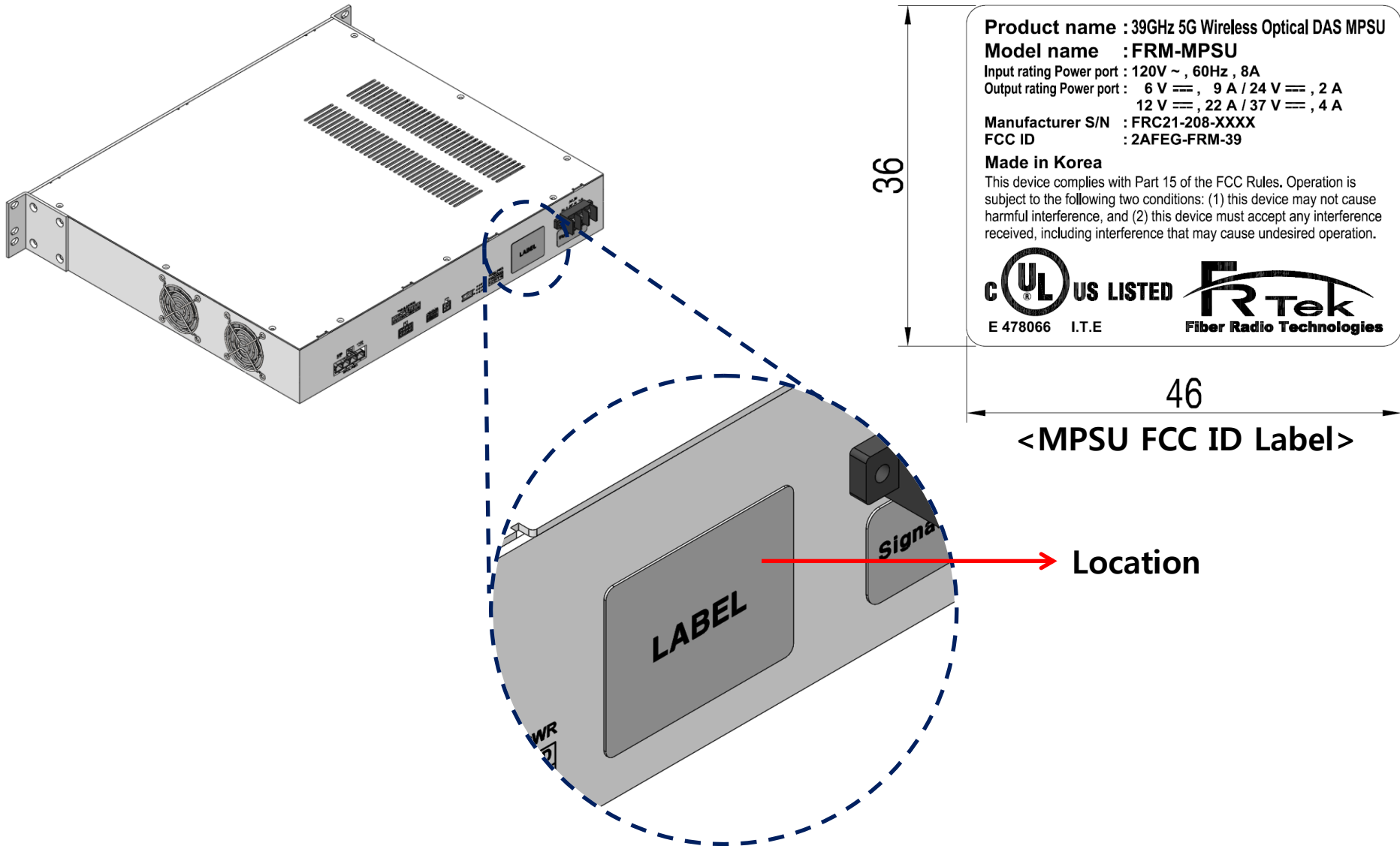
5-1. [mRU] Label / FCC ID Location



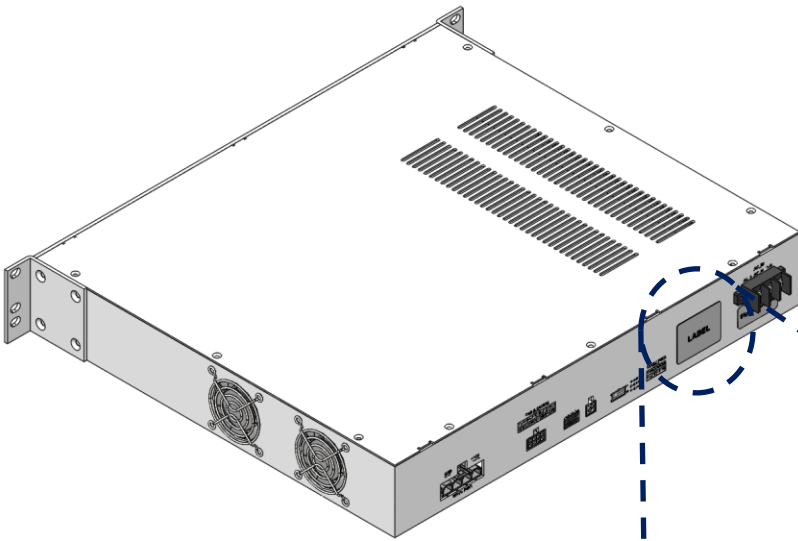
5-2. [mRU] Label / Signal Booster Location



6-1. [MPSU] Label / FCC ID Location



6-2. [MPSU] Label / Signal Booster Location

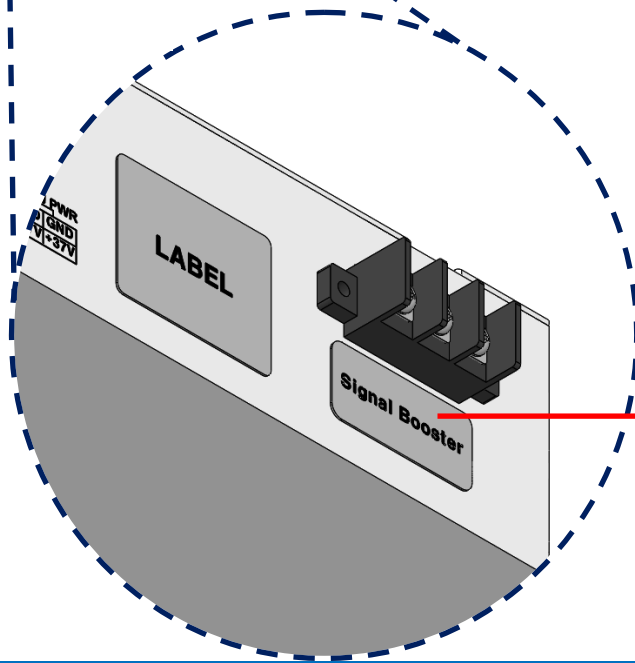


18

WARNING. This is **NOT** a **CONSUMER** device. It is designed for installation by **FCC LICENSEES** and **QUALIFIED INSTALLERS**. You **MUST** have an **FCC LICENCE** or express consent of an FCC Licensee to operate this device. Unauthorized use may result in significant forfeiture panlties, including penalties in excess of if \$100,000 for each continuing violation.

42

<MPSU Signal Booster Label>



Location