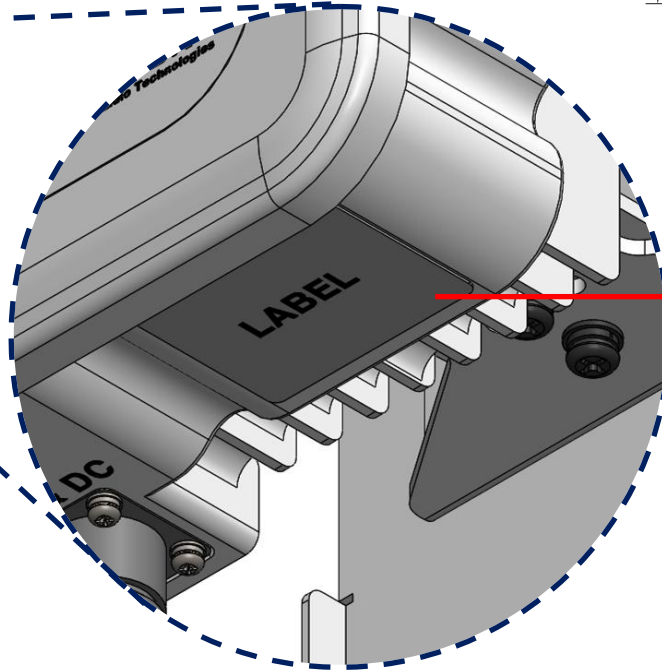
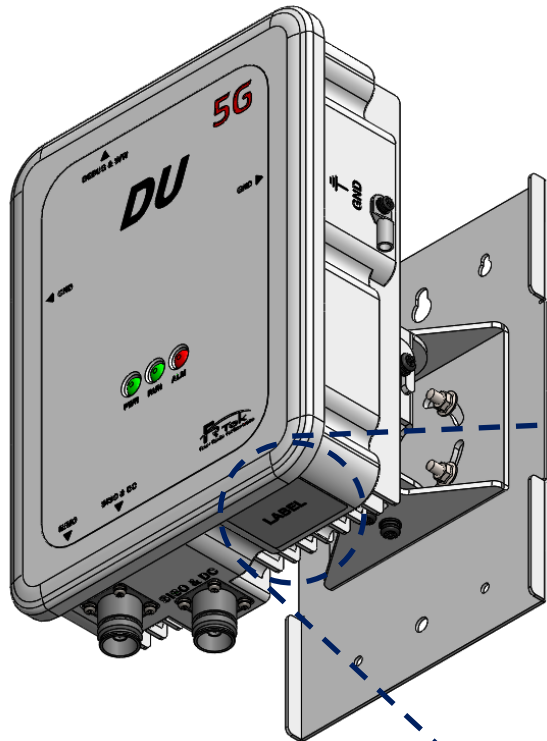


1-1. [DU] Label / FCC ID Location



36

Product name : 28GHz 5G Wireless Optical DAS DU
Model name : FRM-DU28D
Input rating Power port : 37 V \equiv , 1 A
Manufacturer S/N : FRC10-198-0001
FCC ID : 2AFEG-FRM-28

Made in Korea
This device complies with Part 15 of the FCC Rules. Operation is subject to the following two conditions: (1) this device may not cause harmful interference, and (2) this device must accept any interference received, including interference that may cause undesired operation.

UL US LISTED
E 478066 I.T.E.

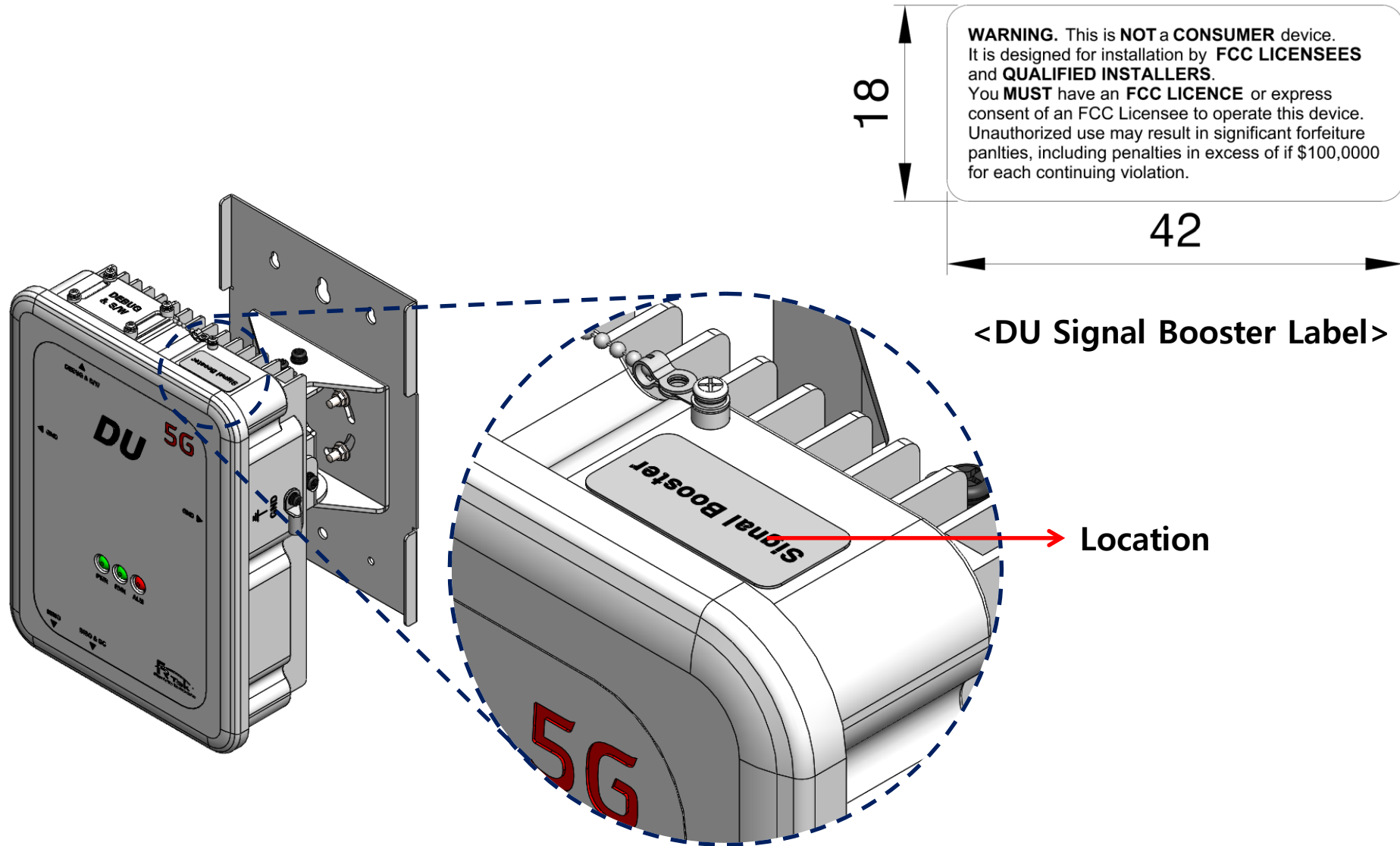
FRTEK
Fiber Radio Technologies

46

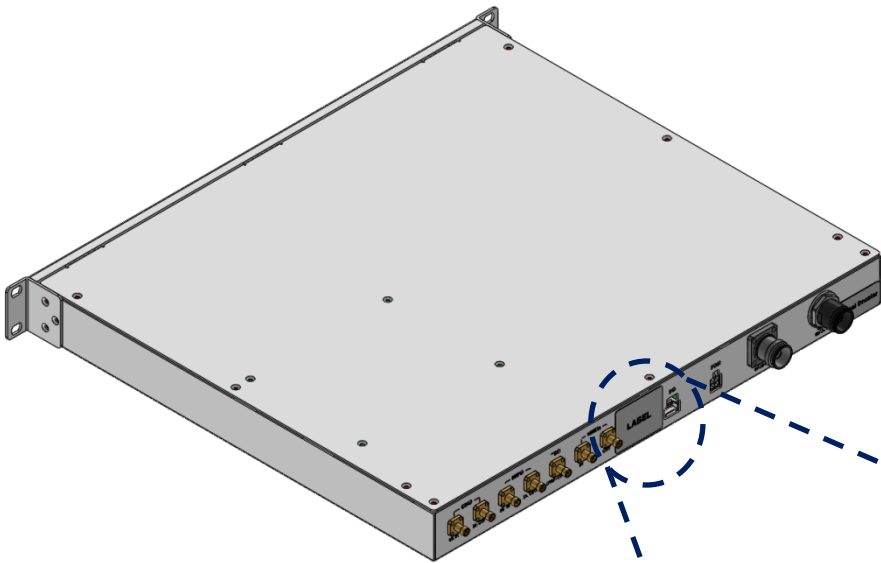
<DU FCC ID Label>

→ Location

1-2. [DU] Label / Signal Booster Location



2-1. [MDU] Label / FCC ID Location



36

Product name : 28GHz 5G Wireless Optical DAS MDU
Model name : FRM-MDU28
Input rating Power port : 6 V \equiv , 5 A
37 V \equiv , 1 A
Output rating Power port : 37 V \equiv , 1 A
Manufacturer S/N : FRC11-198-0001
FCC ID : 2AFEG-FRM-28

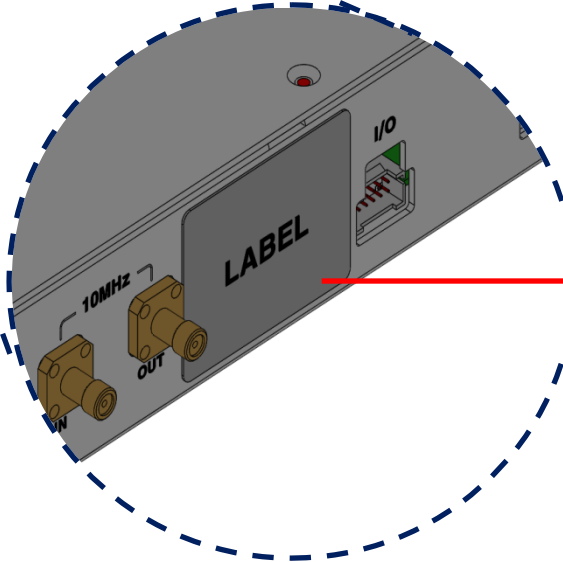
Made in Korea

This device complies with Part 15 of the FCC Rules. Operation is subject to the following two conditions: (1) this device may not cause harmful interference, and (2) this device must accept any interference received, including interference that may cause undesired operation.



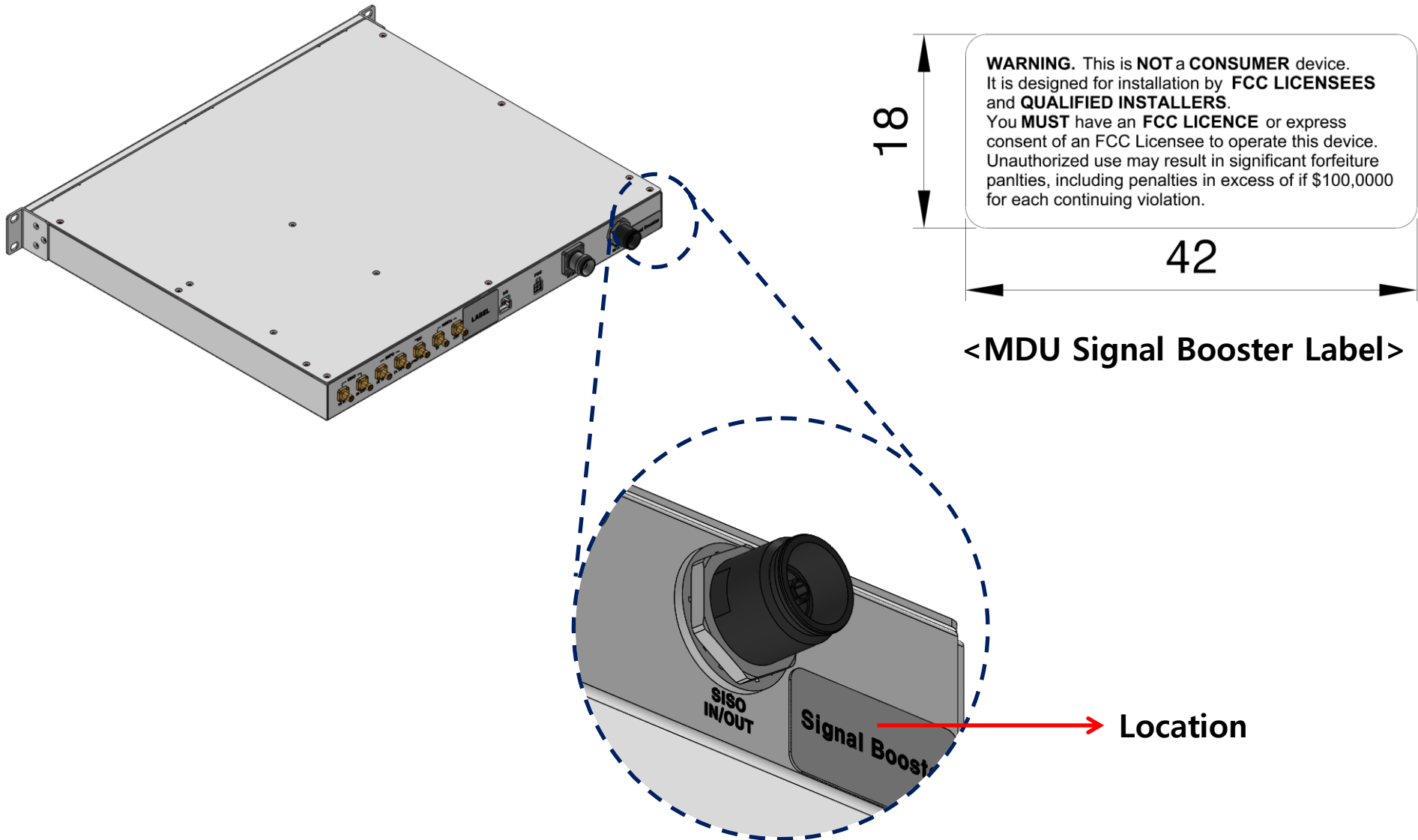
46

<MDU FCC ID Label>

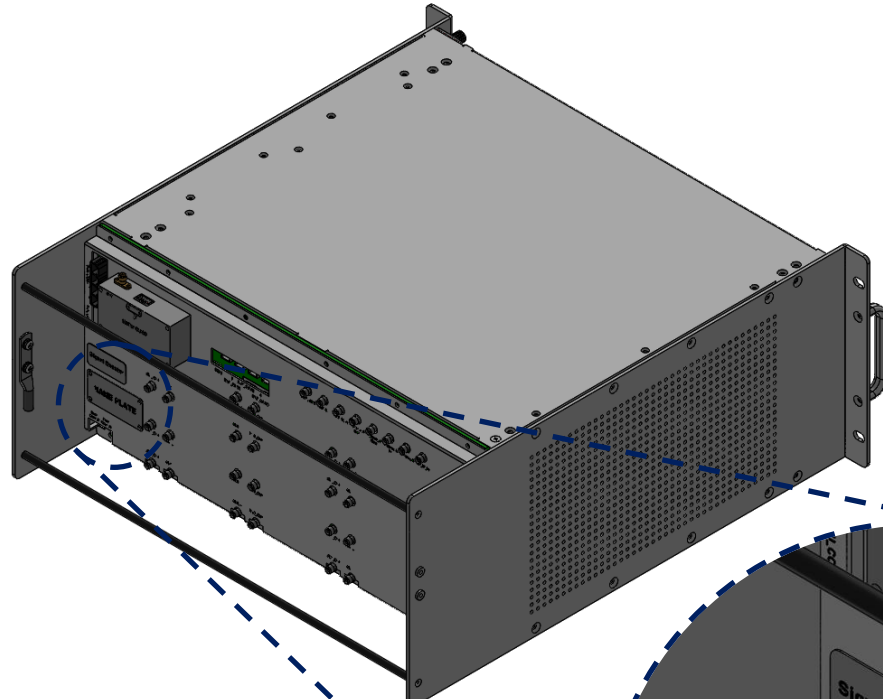


Location

2-2. [MDU] Label / Signal Booster Location




3-1. [MHU] Name Plate / FCC ID Location




30

Product name : 28GHz 5G Wireless Optical DAS MHU
 Model name : FRM-MHU28
 Input rating Power port : 12 V \equiv , 12 A / 24 V \equiv , 0.5 A
 Manufacturer S/N : FRC12-198-0001
 FCC ID : 2AFEG-FRM-28
 Made in Korea

This device complies with Part 15 of the FCC Rules. Operation is subject to the following two conditions: (1) this device may not cause harmful interference, and (2) this device must accept any interference received, including interference that may cause undesired operation.

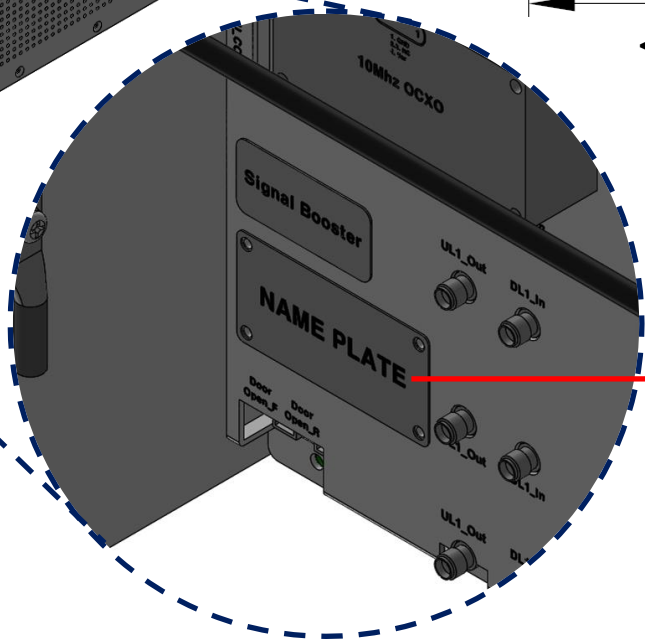


E 478066 I.T.E



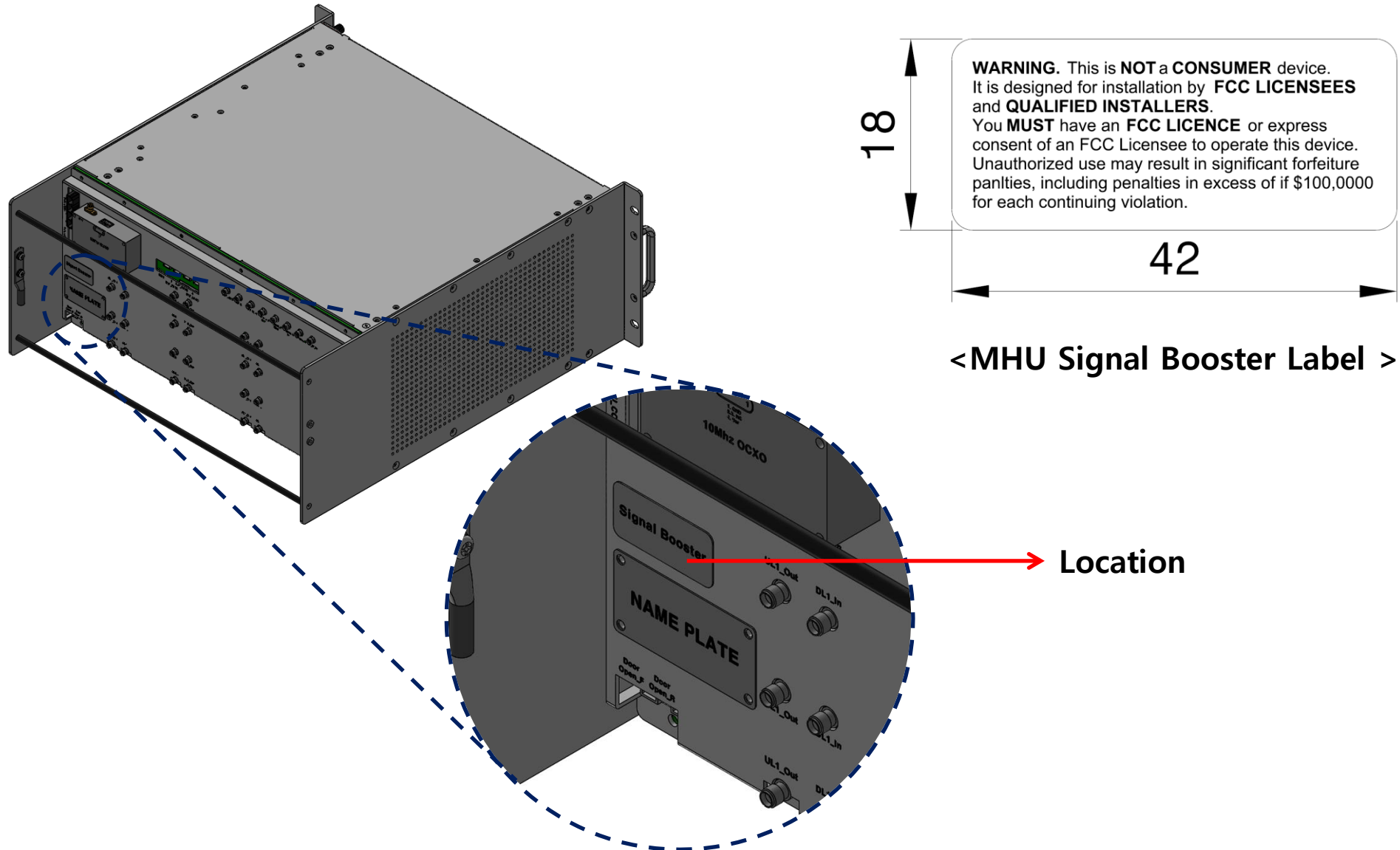
60

<MHU FCC ID Name Plate>

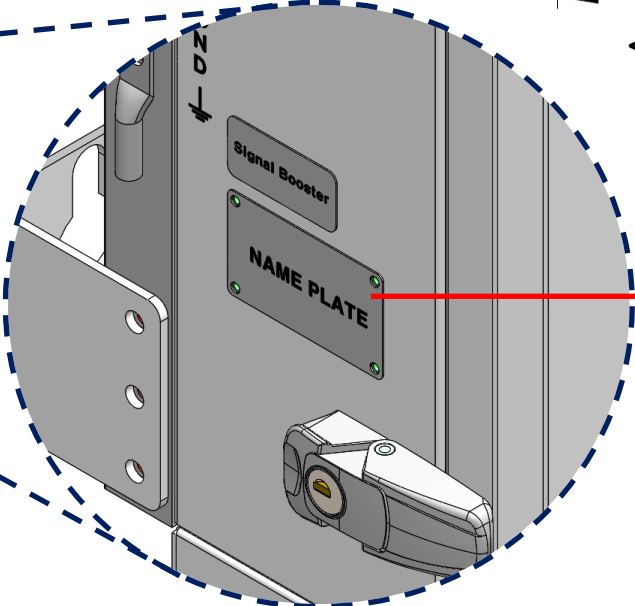
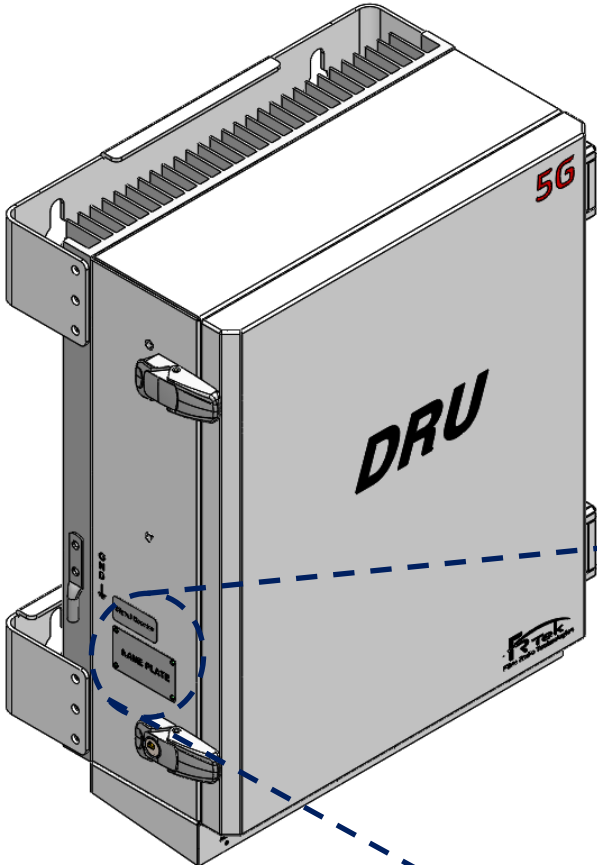


→ Location



3-2. [MHU] Name Plate / Signal Booster Location



4-1. [DRU] Name Plate / FCC ID Location



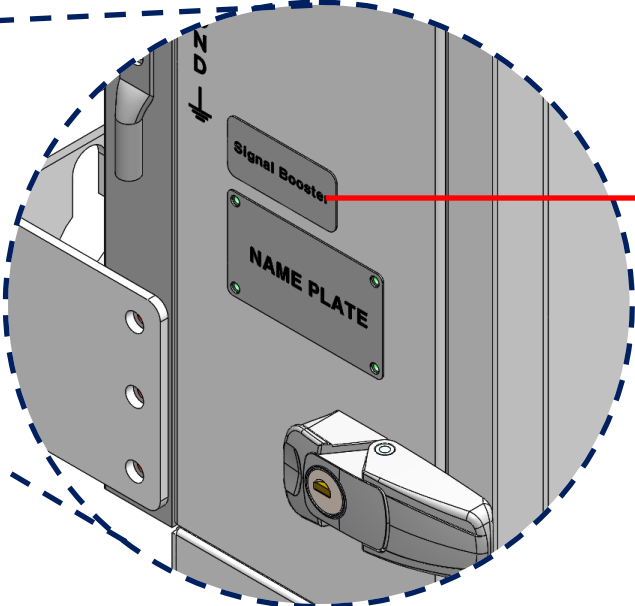
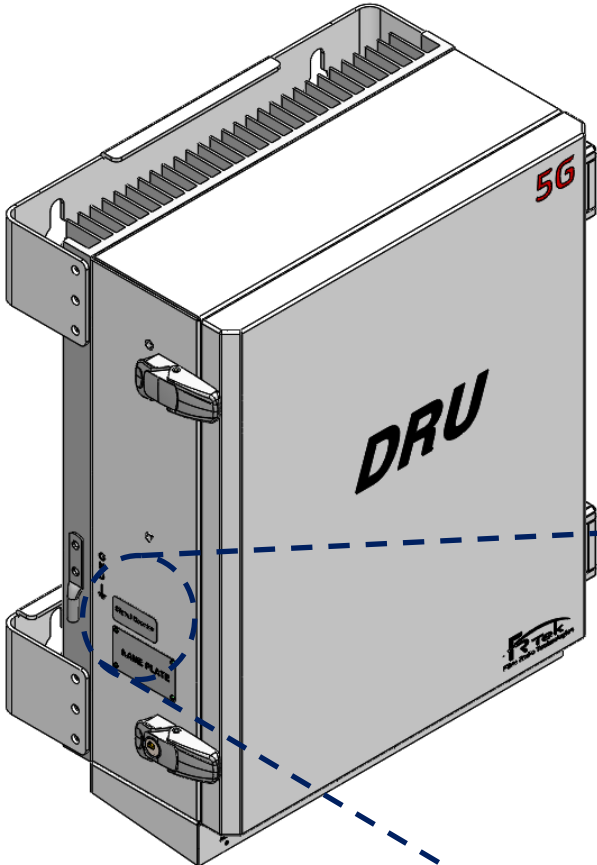
35

Product name	: 28GHz 5G Wireless Optical DAS DRU
Model name	: FRM-DRU28
Input rating Power port	: 120V~, 60Hz, 2 A
Output rating Power port	: MIMO # 1 (37 V \equiv , 1 A) / MIMO # 2 (37 V \equiv , 1 A) MIMO # 3 (37 V \equiv , 1 A) / MIMO # 4 (37 V \equiv , 1 A)
Manufacturer S/N	: FRC13-198-0001
FCC ID	: 2AFEG-FRM-28
Made in Korea	
This device complies with Part 15 of the FCC Rules. Operation is subject to the following two conditions: (1) this device may not cause harmful interference, and (2) this device must accept any interference received, including interference that may cause undesired operation.	
	
E 478066 I.T.E	

60

<DRU FCC ID Name Plate >

4-2. [DRU] Name Plate / Signal Booster Location



18

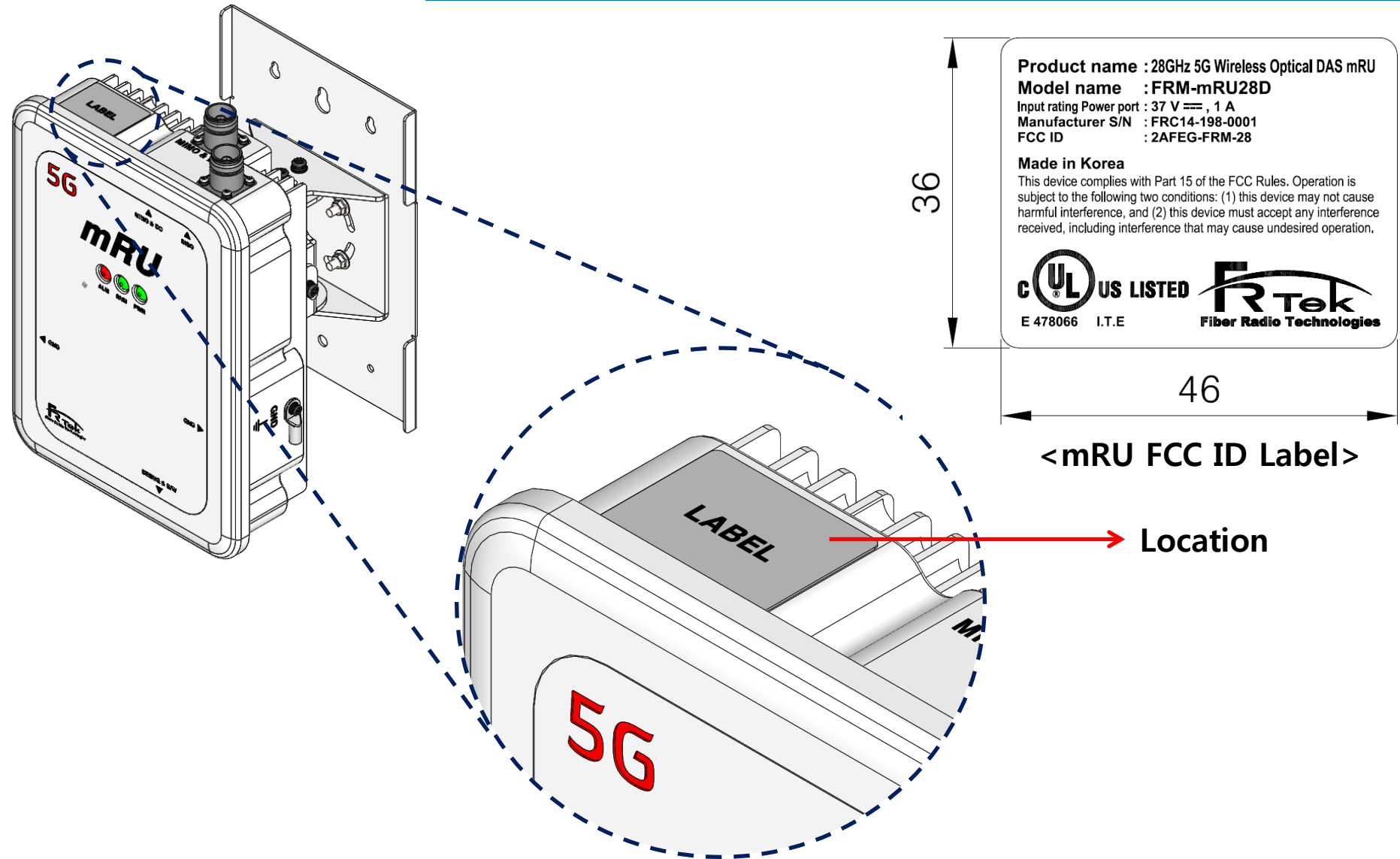
WARNING. This is **NOT** a **CONSUMER** device. It is designed for installation by **FCC LICENSEES** and **QUALIFIED INSTALLERS**. You **MUST** have an **FCC LICENCE** or express consent of an FCC Licensee to operate this device. Unauthorized use may result in significant forfeiture penalties, including penalties in excess of if \$100,000 for each continuing violation.

42

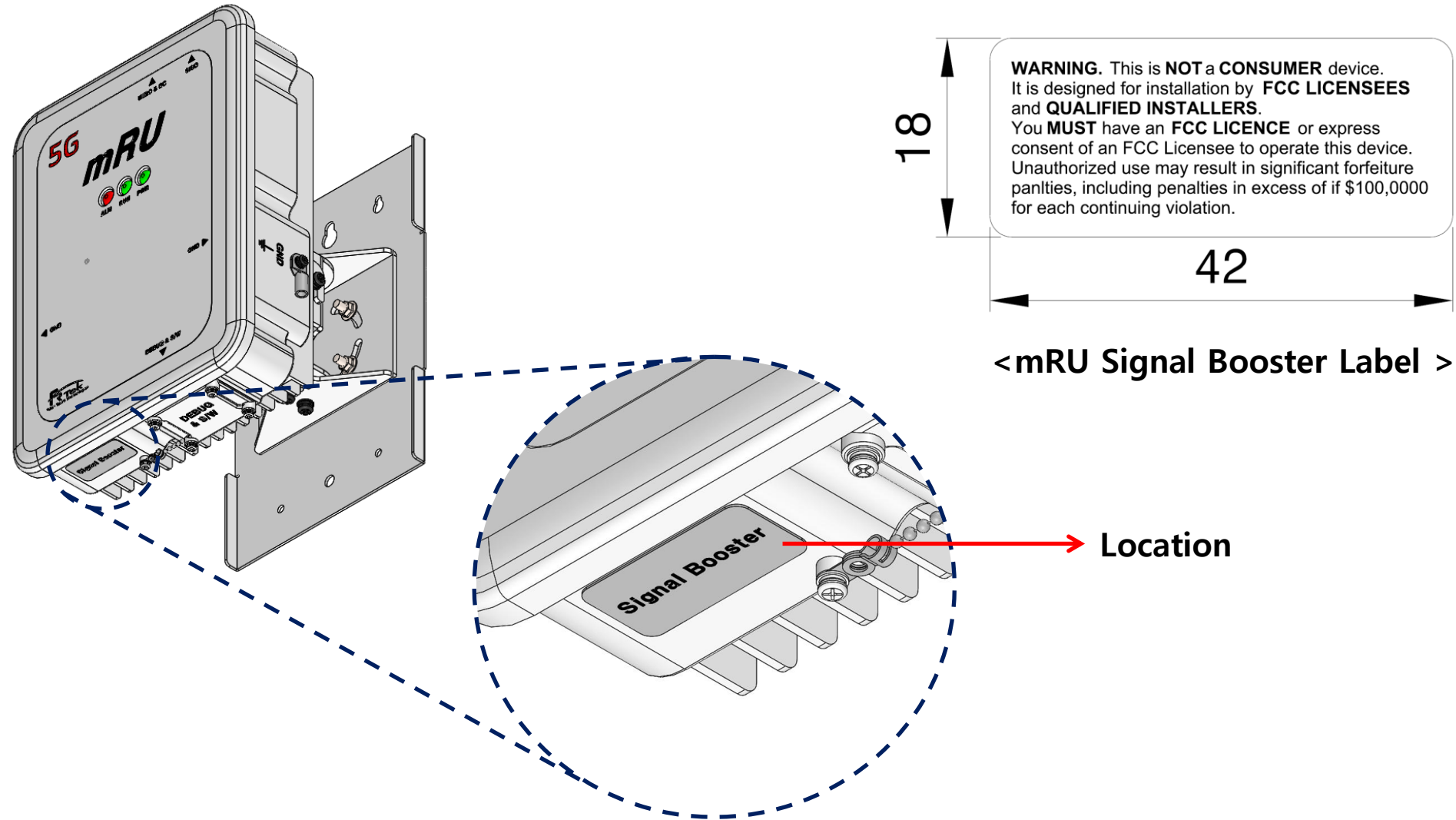
<DRU Signal Booster Label>

Location

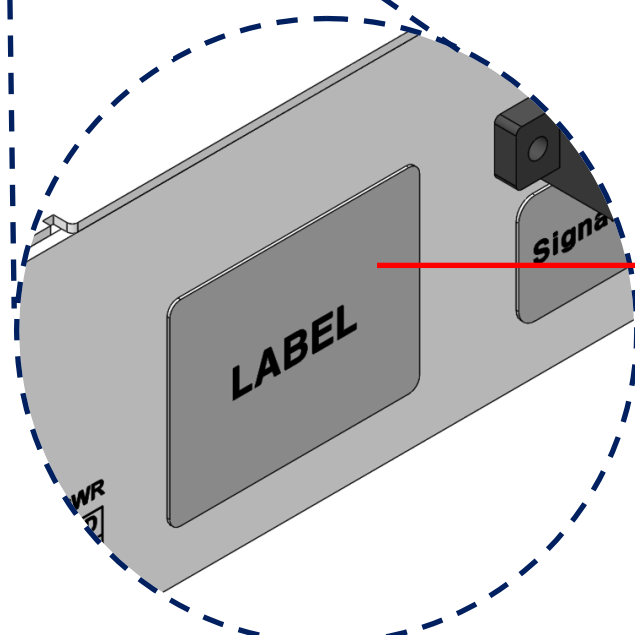
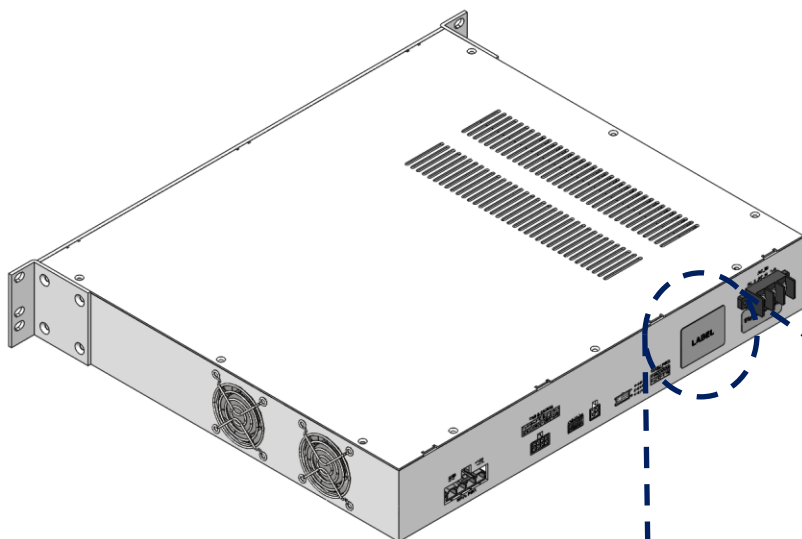
5-1. [mRU] Label / FCC ID Location



5-2. [mRU] Label / Signal Booster Location



6-1. [MPSU] Label / FCC ID Location



36

Product name : 28GHz 5G Wireless Optical DAS MPSU
Model name : FRM-MPSU
Input rating Power port : 120V ~ , 60Hz , 8A
Output rating Power port : 6 V ~ , 9 A / 24 V ~ , 2 A
12 V ~ , 22 A / 37 V ~ , 4 A
Manufacturer S/N : FRC15-198-0001
FCC ID : 2AFEG-FRM-28

Made in Korea

This device complies with Part 15 of the FCC Rules. Operation is subject to the following two conditions: (1) this device may not cause harmful interference, and (2) this device must accept any interference received, including interference that may cause undesired operation.



E 478066 I.T.E

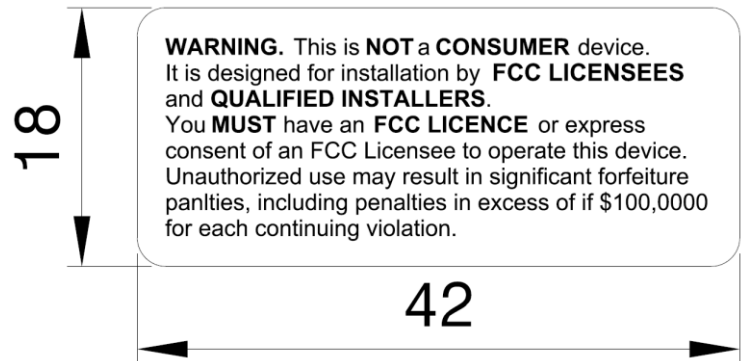
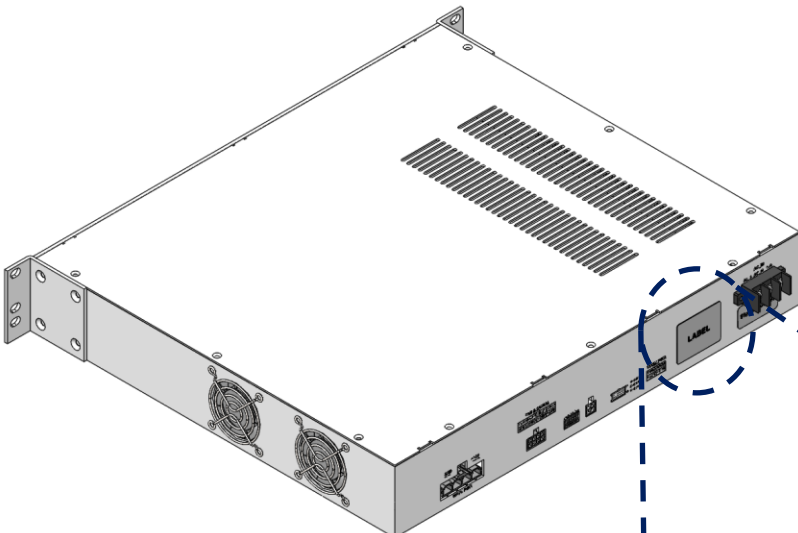


46

<MPSU FCC ID Label>

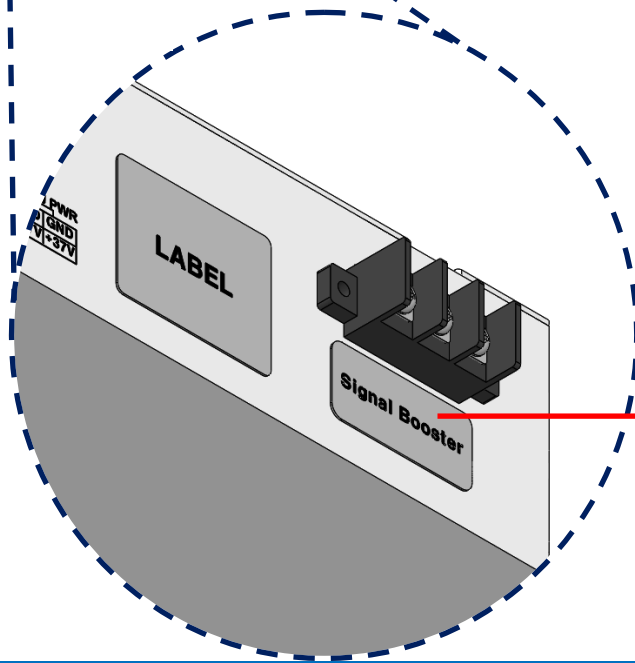
Location

6-2. [MPSU] Label / Signal Booster Location



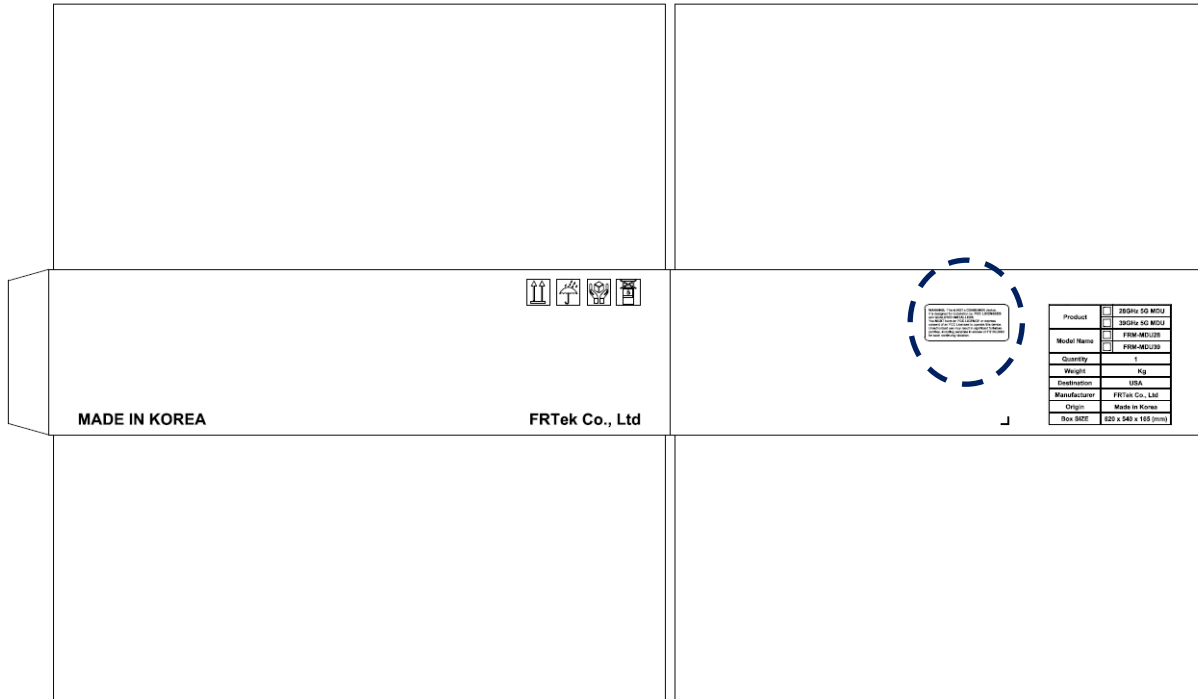
WARNING. This is **NOT** a **CONSUMER** device. It is designed for installation by **FCC LICENSEES** and **QUALIFIED INSTALLERS**. You **MUST** have an **FCC LICENCE** or express consent of an FCC Licensee to operate this device. Unauthorized use may result in significant forfeiture penalties, including penalties in excess of if \$100,000 for each continuing violation.

<MPSU Signal Booster Label>



Location

7. [BOX]-Signal Booster Label



WARNING. This is **NOT** a **CONSUMER** device. It is designed for installation by **FCC LICENSEES** and **QUALIFIED INSTALLERS**. You **MUST** have an **FCC LICENCE** or express consent of an FCC Licensee to operate this device. Unauthorized use may result in significant forfeiture penalties, including penalties in excess of if \$100,000 for each continuing violation.

<BOX Signal Booster Label>