

WiFi Flag Antenna

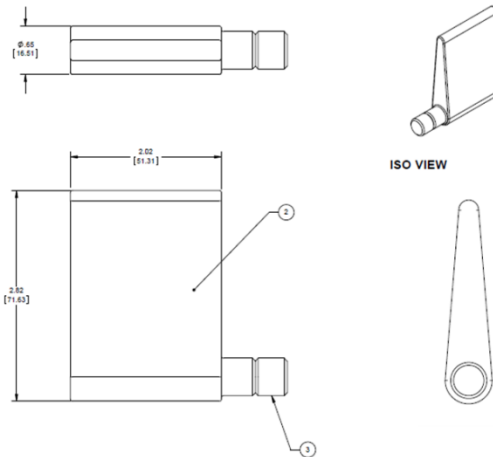


WiFi Flag Antenna

- ▶ 2.4GHz – 2.5GHz; 4.9GHz – 5.835GHz WiFi Frequency Range
- ▶ Small Flag Antenna with SMA-RP type coax connection
- ▶ Qualified to DO-160G with FAA PMA
- ▶ Used with Kontron Cab-n-Connect CWAP

► TECHNICAL INFORMATION

ELECTRICAL PROPERTIES	DESCRIPTION
Frequency Range	2.4GHz – 2.5GHz; 4.9GHz – 5.825GHz
Impedance	50Ω Nominal
VSWR	1.92 :1 Max
Return Loss	-10 dB Max
Radiation	Directional
Gain (peak)	2.6dBi @ 2.4GHz-2.5GHz 4.0dBi @ 4.9GHz – 5.825GHz
Cable Loss	0.18dB Max @ 2.4GHz-2.5GHz 0.32dB Max @ 4.9GHz – 5.825GHz
Polarization	Linear, Vertical
Admitted Power	1W
Cable	RG-178 Coaxial Cable
Connector	SMA Straight plug reverse



► ORDERING INFORMATION

PART NO.	DESCRIPTION
73001001-001	*LRU, KIT, FLAG ANTENNAS, AP-7131N
73001001-002	ANTENNA REPLACEMENT KIT (6)
73001001-003	*LRU, KIT, CWAP FLAG ANTENNAS, ANGLE
73001001-004	ANTENNA REPLACEMENT KIT (1)

*LRU Kits include mounting tray to CWAP and hardware

► CORPORATE OFFICES

EUROPE, MIDDLE EAST & AFRICA

Lise-Meitner-Str. 3-5
86156 Augsburg
Germany
Tel.: +49 821 4086 0
Fax: +49 821 4086 111
info@kontron.com

NORTH AMERICA

14118 Stowe Drive
Poway, CA 92064-7147
USA
Tel.: +1 888 294 4558
Fax: +1 858 677 0898
info@us.kontron.com

ASIA PACIFIC

1-2F, 10 Building, No. 8 Liangshuihe 2nd Street,
Economic & Technological Development Zone,
Beijing, 100176, P.R.China
Tel.: +86 10 63751188
Fax: +86 10 83682438
info@kontron.cn