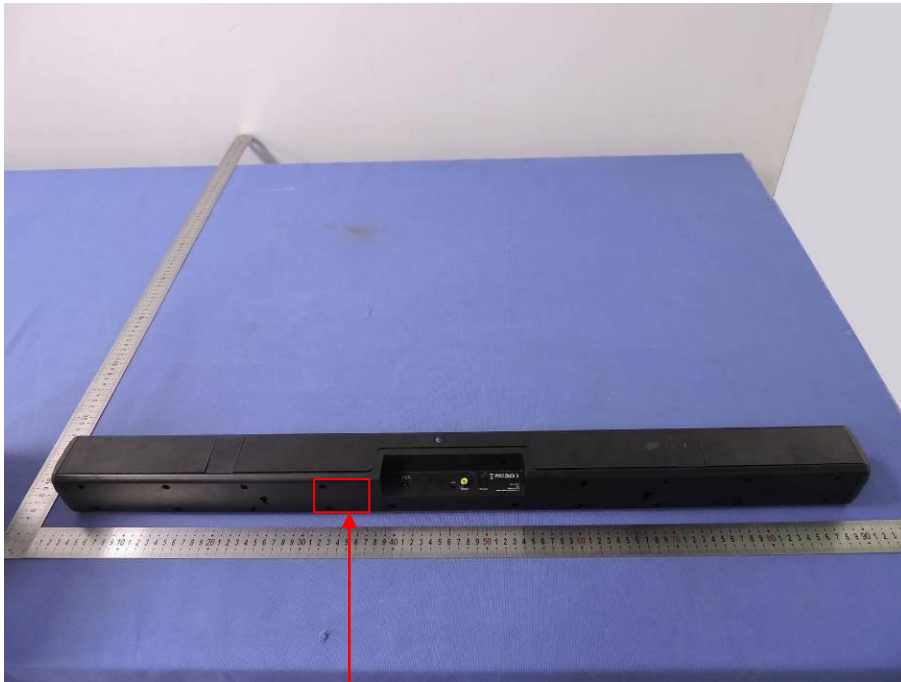



Label & Label location  
FCC ID: 2AFDGTT-SK020




24.9 mm

40.9 mm

 Model: TT-SK020  
FCC ID: 2AFDGTT-SK020

Sound Bar  
Power Input: DC 18V, 2.2A  
Power Consumption: 20W×2+40W  
Made in China



This device complies with Part 15 of the FCC Rules.  
Operation is subject to the following two conditions: (1) this device may not cause harmful interference, and (2) this device must accept any interference received, including interference that may cause undesired operation.