



FCC REPORT

Report Reference No. : **TRE1708011805** R/C.....: 32073

FCC ID : **2AFD9MAGNETIC**

Applicant's name : **MOVEON TECHNOLOGY LIMITED**

Address : World Trade Plaza-A block#3201-3202 Fuhong Road, Futian,
Shenzhen,China

Manufacturer..... : MOVEON TECHNOLOGY LIMITED

Address..... : World Trade Plaza-A block#3201-3202 Fuhong Road, Futian,
Shenzhen,China

Test item description..... : **Smart phone**

Trade Mark..... : ZOOM

Model/Type reference : Magnetic

Listed Model(s)..... : -

Standard..... : **47 CFR FCC Part 15 Subpart B - Unintentional Radiators**
ANSI C63.4: 2014

Date of receipt of test sample..... : Aug.19,2017

Date of testing..... : Aug.20,2017- Sep.01,2017

Date of issue..... : Sep.04,2017

Result : **Pass**

Compiled by
(position+printed name+signature) . : File administrators Candy Liu

Supervised by
(position+printed name+signature) . : Project Engineer Lion Cai

Approved by
(position+printed name+signature) . : RF Manager Hans Hu

Testing Laboratory Name..... : **Shenzhen Huatongwei International Inspection Co., Ltd.**

Address : 1/F, Bldg 3, Hongfa Hi-tech Industrial Park, Genyu Road,
Tianliao, Gongming, Shenzhen, China

Shenzhen Huatongwei International Inspection Co., Ltd. All rights reserved.

This publication may be reproduced in whole or in part for non-commercial purposes as long as the Shenzhen Huatongwei International Inspection Co., Ltd. is acknowledged as copyright owner and source of the material. Shenzhen Huatongwei International Inspection Co., Ltd. takes no responsibility for and will not assume liability for damages resulting from the reader's interpretation of the reproduced material due to its placement and context.

Contents

1.	<u>TEST STANDARDS AND REPORT VERSION</u>	3
1.1.	Test Standards	3
1.2.	Report version	3
2.	<u>TEST DESCRIPTION</u>	4
3.	<u>SUMMARY</u>	5
3.1.	Client Information	5
3.2.	Product Description	5
3.3.	EUT operation mode	6
3.4.	EUT configuration	6
3.5.	Configuration of Tested System	7
4.	<u>TEST ENVIRONMENT</u>	8
4.1.	Address of the test laboratory	8
4.2.	Test Facility	8
4.3.	Equipments Used during the Test	9
4.4.	Environmental conditions	9
4.5.	Statement of the measurement uncertainty	10
5.	<u>TEST CONDITIONS AND RESULTS</u>	11
5.1.	Conducted Emissions Test	11
5.2.	Radiated Emission Test	14
6.	<u>TEST SETUP PHOTOS OF THE EUT</u>	18
7.	<u>EXTERNAL AND INTERNAL PHOTOS OF THE EUT</u>	19

1. Test standards and Report version

1.1. Test Standards

The tests were performed according to following standards:

[47 CFR FCC Part 15 Subpart B](#) - Unintentional Radiators

[ANSI C63.4: 2014](#) – American National Standard for Methods of Measurement of Radio-Noise Emissions from Low-Voltage Electrical and Electronic Equipment in the Range of 9 kHz to 40GHz

1.2. Report version

Version No.	Date of issue	Description
00	Sep.04,2017	Original

2. Test Description

Test Item	FCC Rule	Result
Conducted Emissions Test	15.107	Pass
Radiated Emission Test	15.109	Pass

Note: The measurement uncertainty is not included in the test result.

3. SUMMARY

3.1. Client Information

Applicant:	MOVEON TECHNOLOGY LIMITED
Address:	World Trade Plaza-A block#3201-3202 Fuhong Road, Futian, Shenzhen,China
Manufacturer:	MOVEON TECHNOLOGY LIMITED
Address:	World Trade Plaza-A block#3201-3202 Fuhong Road, Futian, Shenzhen,China

3.2. Product Description

Name of EUT:	Smart phone
Trade Mark:	ZOOM
Model No.:	Magnetic
Listed Model(s):	-
IMEI1:	359680070000001
IMEI2:	359680075000001
Power supply:	DC 3.8V From exchange battery
Adapter information:	Input: 100-240Va.c., 50/60Hz, 0.15A Output: 5Vd.c., 1000mA
Hardware version:	Y833A_MB_V1-1
Software version:	Y833A4_HW_B2B5_V0.1_0803

3.3. EUT operation mode

Test mode	Playing Video	Connect to PC (Down loading)	Camera	Adapter
1	■			■
2		■		
3			■	■

Note:

1. ■ is operation mode.

Pre-scan above all test mode, found below test mode which it was worse case mode.

Test item	Test mode (Worse case mode)
Conducted emission	Mode 2
Radiated emission	Mode 2

3.4. EUT configuration

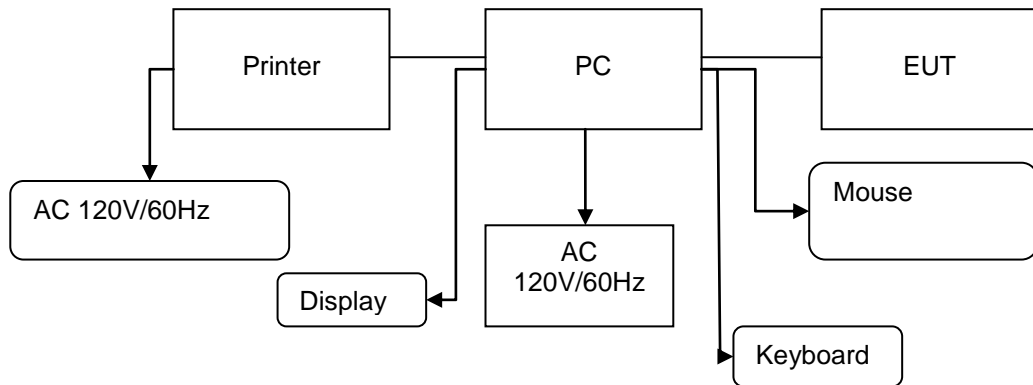
The following peripheral devices and interface cables were connected during the measurement:

- - supplied by the manufacturer
- - supplied by the lab

	Length (m) :	
	Shield :	
	Detachable :	
	Manufacturer :	
	Model No. :	-

3.5. Configuration of Tested System

Configuration of Tested System



Equipment Used in Tested System

No.	Equipment	Manufacturer	Model No.	Serial No.	Length	shielded/unshielded	Notes
1	PC	DELL	DIMENSION E520	1RNN42X	/	/	DOC
2	Printer	ESPOn	C3990	C3990A	/	/	DOC
3	Mouse	DELL	MO56U OA	G0E02SY7	1.00m	unshielded	DOC
4	Display	DELL	1707FPt	CN-OFC237-71618-65G-AAKC	/	/	DOC
5	Keyboard	DELL	L100	CNRH65665890726009L	/	/	DOC
6	USB Cable (EUT to PC)	ITALCOM GROUP	USB 2.0	N/A	0.80m	unshielded	N/A
7	USB Cable (Printer to PC)	Genshuo	USB 2.0	N/A	1.20m	unshielded	N/A
8	Power line	/	/	N/A	1.00m	unshielded	N/A

4. TEST ENVIRONMENT

4.1. Address of the test laboratory

Laboratory: Shenzhen Huatongwei International Inspection Co., Ltd.

Address: 1/F, Bldg 3, Hongfa Hi-tech Industrial Park, Genyu Road, Tianliao, Gongming, Shenzhen, China

Phone: 86-755-26748019 Fax: 86-755-26748089

4.2. Test Facility

The test facility is recognized, certified, or accredited by the following organizations:

CNAS-Lab Code: L1225

Shenzhen Huatongwei International Inspection Co., Ltd. has been assessed and proved to be in compliance with CNAS-CL01 Accreditation Criteria for Testing and Calibration Laboratories (identical to ISO/IEC 17025: 2005 General Requirements) for the Competence of Testing and Calibration Laboratories.

A2LA-Lab Cert. No.: 3902.01

Shenzhen Huatongwei International Inspection Co., Ltd. EMC Laboratory has been accredited by A2LA for technical competence in the field of electrical testing, and proved to be in compliance with ISO/IEC 17025: 2005 General Requirements for the Competence of Testing and Calibration Laboratories and any additional program requirements in the identified field of testing.

FCC-Registration No.: 762235

Shenzhen Huatongwei International Inspection Co., Ltd. EMC Laboratory has been registered and fully described in a report filed with the FCC (Federal Communications Commission). The acceptance letter from the FCC is maintained in our files. Registration 762235

IC-Registration No.: 5377B-1

Two 3m Alternate Test Site of Shenzhen Huatongwei International Inspection Co., Ltd. has been registered by Certification and Engineering Bureau of Industry Canada for the performance of radiated measurements with Registration No. 5377B-1

ACA

Shenzhen Huatongwei International Inspection Co., Ltd. EMC Laboratory can also perform testing for the Australian C-Tick mark as a result of our A2LA accreditation.

4.3. Equipments Used during the Test

Conducted Emission					
Item	Test Equipment	Manufacturer	Model No.	Serial No.	Last Cal.
1	EMI TEST RECEIVER	Rohde & Schwarz	ESCI	100106	2016/11/13
2	ARTIFICIAL MAINS	Rohde & Schwarz	ESH2-Z5	100028	2016/11/13
3	PULSE LIMITER	Rohde & Schwarz	ESHSZ2	100044	2016/11/13
4	EMI TEST SOFTWARE	Rohde & Schwarz	ES-K1	N/A	N/A

Radiated Emission					
Item	Test Equipment	Manufacturer	Model No.	Serial No.	Last Cal.
1	ULTRA-BROADBAND ANTENNA	ShwarzBeck	VULB9163	538	2016/11/13
2	EMI TEST RECEIVER	Rohde & Schwarz	ESI 26	100009	2016/11/13
3	EMI TEST Software	Audix	E3	N/A	N/A
4	TURNTABLE	MATURO	TT2.0	----	N/A
5	ANTENNA MAST	MATURO	TAM-4.0-P	----	N/A
6	EMI TEST Software	Rohde & Schwarz	ESK1	N/A	N/A
7	ULTRA-BROADBAND ANTENNA	Rohde&Schwarz	HL562	100015	2016/11/13
8	Amplifer	Sonoma	310N	E009-13	2016/11/13
9	JS amplifer	Rohde & Schwarz	JS4-00101800-28-5A	F201504	2016/11/13
11	TURNTABLE	ETS	2088	2149	N/A
12	ANTENNA MAST	ETS	2075	2346	N/A
13	HORN ANTENNA	Rohde&Schwarz	HF906	100039	2016/11/13

The calibration interval was one year.

4.4. Environmental conditions

During the measurement the environmental conditions were within the listed ranges:

Temperature:	15~35°C
Relative Humidity:	30~60 %
Air Pressure:	950~1050mba

4.5. Statement of the measurement uncertainty

The data and results referenced in this document are true and accurate. The reader is cautioned that there may be errors within the calibration limits of the equipment and facilities. The measurement uncertainty was calculated for all measurements listed in this test report acc. to CISPR 16 - 4 „Specification for radio disturbance and immunity measuring apparatus and methods – Part 4: Uncertainty in EMC Measurements“ and is documented in the Shenzhen Huatongwei International Inspection Co., Ltd quality system acc. to DIN EN ISO/IEC 17025. Furthermore, component and process variability of devices similar to that tested may result in additional deviation. The manufacturer has the sole responsibility of continued compliance of the device.

Hereafter the best measurement capability for Shenzhen Huatongwei laboratory is reported:

Test	Range	Measurement Uncertainty	Notes
Radiated Emission	30~1000MHz	4.24 dB	(1)
Radiated Emission	1~18GHz	5.16 dB	(1)
Radiated Emission	18-40GHz	5.54 dB	(1)
Conducted Disturbance	0.15~30MHz	3.39 dB	(1)

(1) This uncertainty represents an expanded uncertainty expressed at approximately the 95% confidence level using a coverage factor of $k=2$.

5. TEST CONDITIONS AND RESULTS

5.1. Conducted Emissions Test

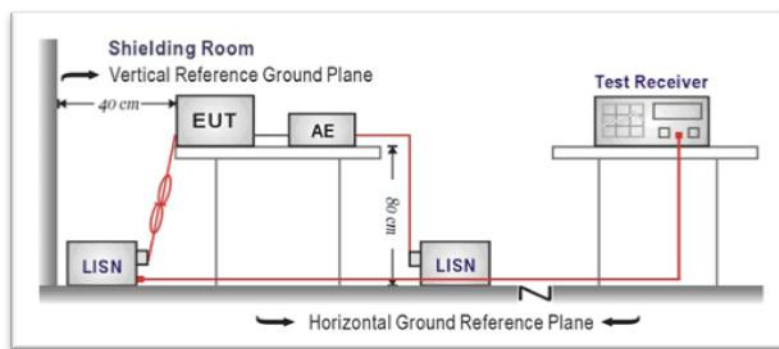
LIMIT

FCC CFR Title 47 Part 15 Subpart B Section 15.107:

Frequency range (MHz)	Limit (dBuV)	
	Quasi-peak	Average
0.15-0.5	66 to 56*	56 to 46*
0.5-5	56	46
5-30	60	50

* Decreases with the logarithm of the frequency.

TEST CONFIGURATION



TEST PROCEDURE

1. The EUT was setup according to ANSI C63.4-2014.
2. The EUT was placed on a platform of nominal size, 1 m by 1.5 m, raised 80 cm above the conducting ground plane. The vertical conducting plane was located 40 cm to the rear of the EUT. All other surfaces of EUT were at least 80 cm from any other grounded conducting surface.
3. The EUT and simulators are connected to the main power through a line impedance stabilization network (LISN). The LISN provides a 50 ohm /50uH coupling impedance for the measuring equipment.
4. The peripheral devices are also connected to the main power through a LISN. (Please refer to the block diagram of the test setup and photographs)
5. Each current-carrying conductor of the EUT power cord, except the ground (safety) conductor, was individually connected through a LISN to the input power source.
6. The excess length of the power cord between the EUT and the LISN receptacle were folded back and forth at the center of the lead to form a bundle not exceeding 40 cm in length.
7. Conducted emissions were investigated over the frequency range from 0.15MHz to 30MHz using a receiver bandwidth of 9 kHz.
8. During the above scans, the emissions were maximized by cable manipulation.

TEST MODE:

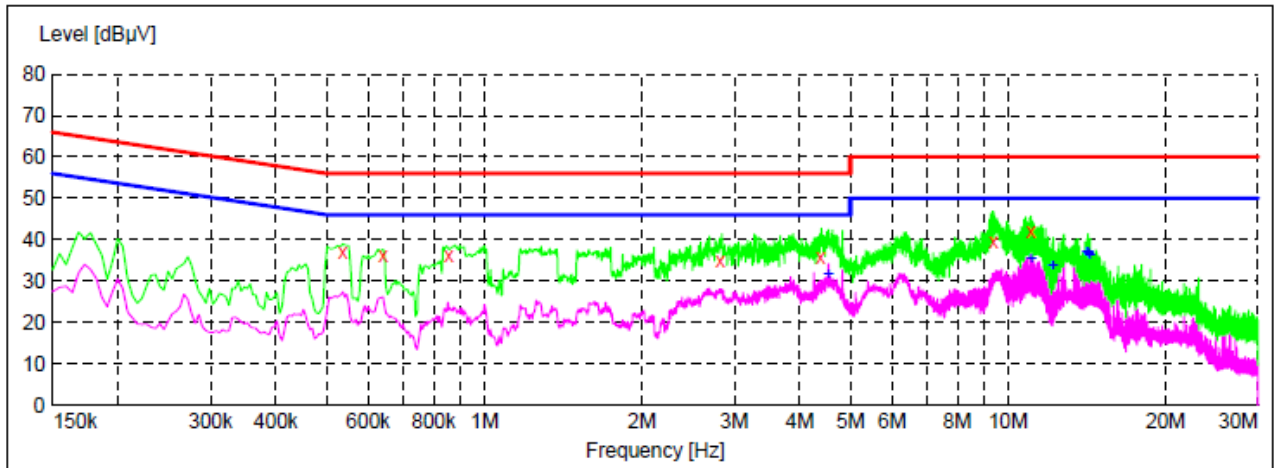
Please refer to the clause 3.3

TEST RESULTS

Passed **Not Applicable**

Note: Transd=Cable lose+ PULSE LIMITER factor+ ARTIFICIAL MAINS factor; Margin= Limit -Level

Test Line: L



x x x MES GM1708295010_fin

MEASUREMENT RESULT: "GM1708295010_fin"

8/29/2017 9:28AM

Frequency MHz	Level dBµV	Transd dB	Limit dBµV	Margin dB	Detector	Line	PE
0.537000	37.00	10.2	56	19.0	QP	L1	GND
0.640500	36.00	10.2	56	20.0	QP	L1	GND
0.856500	36.30	10.1	56	19.7	QP	L1	GND
2.823000	34.90	10.2	56	21.1	QP	L1	GND
4.384500	35.90	10.3	56	20.1	QP	L1	GND
9.384000	39.60	10.6	60	20.4	QP	L1	GND
11.067000	42.10	10.6	60	17.9	QP	L1	GND

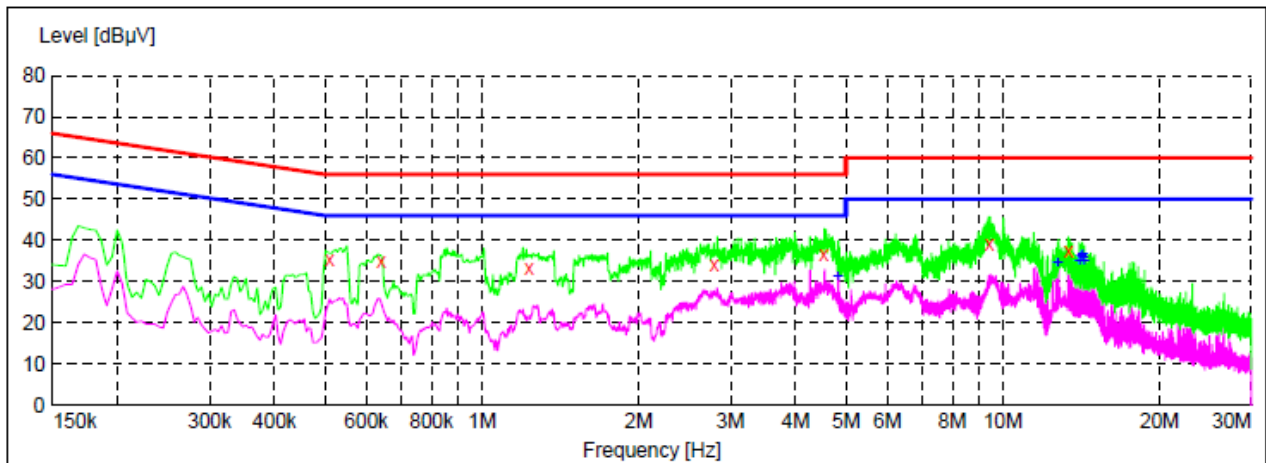
MEASUREMENT RESULT: "GM1708295010_fin2"

8/29/2017 9:28AM

Frequency MHz	Level dBµV	Transd dB	Limit dBµV	Margin dB	Detector	Line	PE
4.542000	31.60	10.3	46	14.4	AV	L1	GND
11.067000	35.30	10.6	50	14.7	AV	L1	GND
12.196500	33.60	10.5	50	16.4	AV	L1	GND
14.149500	36.90	10.5	50	13.1	AV	L1	GND
14.212500	37.10	10.5	50	12.9	AV	L1	GND
14.271000	36.40	10.5	50	13.6	AV	L1	GND
14.334000	36.00	10.5	50	14.0	AV	L1	GND

Test Line:

N



x x x MES GM1708295009_fin

MEASUREMENT RESULT: "GM1708295009_fin"

8/29/2017 9:24AM

Frequency MHz	Level dBµV	Transd dB	Limit dBµV	Margin dB	Detector	Line	PE
0.510000	35.30	10.2	56	20.7	QP	N	GND
0.640500	34.90	10.2	56	21.1	QP	N	GND
1.234500	33.10	10.2	56	22.9	QP	N	GND
2.796000	34.00	10.2	56	22.0	QP	N	GND
4.537500	36.60	10.3	56	19.4	QP	N	GND
9.420000	39.00	10.6	60	21.0	QP	N	GND
13.357500	37.50	10.5	60	22.5	QP	N	GND

MEASUREMENT RESULT: "GM1708295009_fin2"

8/29/2017 9:24AM

Frequency MHz	Level dBµV	Transd dB	Limit dBµV	Margin dB	Detector	Line	PE
4.825500	31.00	10.3	46	15.0	AV	N	GND
12.745500	34.60	10.5	50	15.4	AV	N	GND
14.028000	34.80	10.5	50	15.2	AV	N	GND
14.149500	36.30	10.5	50	13.7	AV	N	GND
14.212500	36.50	10.5	50	13.5	AV	N	GND
14.271000	35.60	10.5	50	14.4	AV	N	GND
14.334000	35.10	10.5	50	14.9	AV	N	GND

5.2. Radiated Emission Test

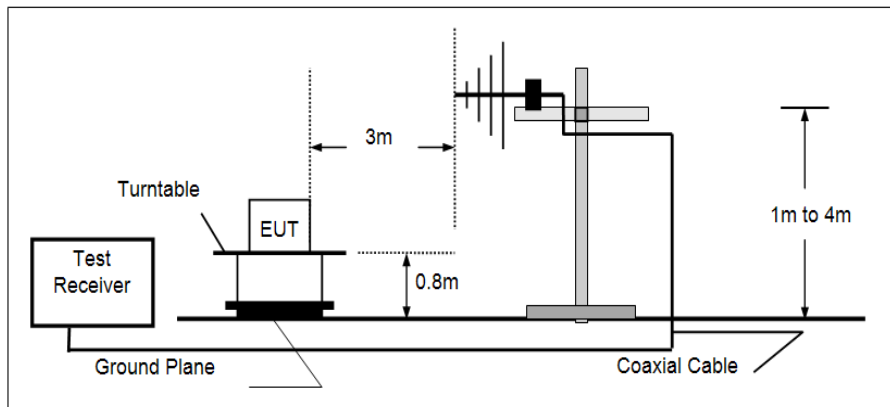
LIMIT

FCC CFR Title 47 Part 15 Subpart B Section 15.109

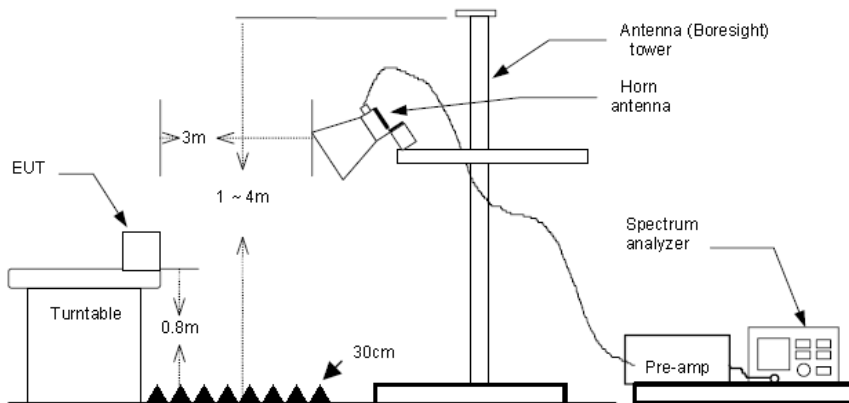
Frequency	Limit (dBuV/m @3m)	Value
30MHz-88MHz	40.00	Quasi-peak
88MHz-216MHz	43.50	Quasi-peak
216MHz-960MHz	46.00	Quasi-peak
960MHz-1GHz	54.00	Quasi-peak
Above 1GHz	54.00	Average
	74.00	Peak

TEST CONFIGURATION

➤ 30MHz ~ 1GHz



➤ Above 1GHz



TEST PROCEDURE

1. The EUT was tested according to ANSI C63.4:2014.
2. The EUT is placed on a turntable which is 0.8 meter above ground. The turn table is rotated 360 degrees to determine the position of the maximum emission level.
3. The EUT was positioned such that the distance from antenna to the EUT was 3 meters.
4. The antenna is scanned from 1 meter to 4 meters to find out the maximum emission level. This is repeated for both horizontal and vertical polarization of the antenna.
5. Use the following spectrum analyzer settings
 - (1) Span shall wide enough to fully capture the emission being measured;
 - (2) Below 1GHz, RBW=120KHz, VBW=300KHz, Sweep=auto, Detector function=peak, Trace=max hold; If the emission level of the EUT measured by the peak detector is 3 dB lower than the applicable limit, the peak emission level will be reported. Otherwise, the emission measurement will be repeated using

the quasi-peak detector and reported.
(3) Above 1GHz, RBW=1MHz, VBW=3MHz

TEST MODE:

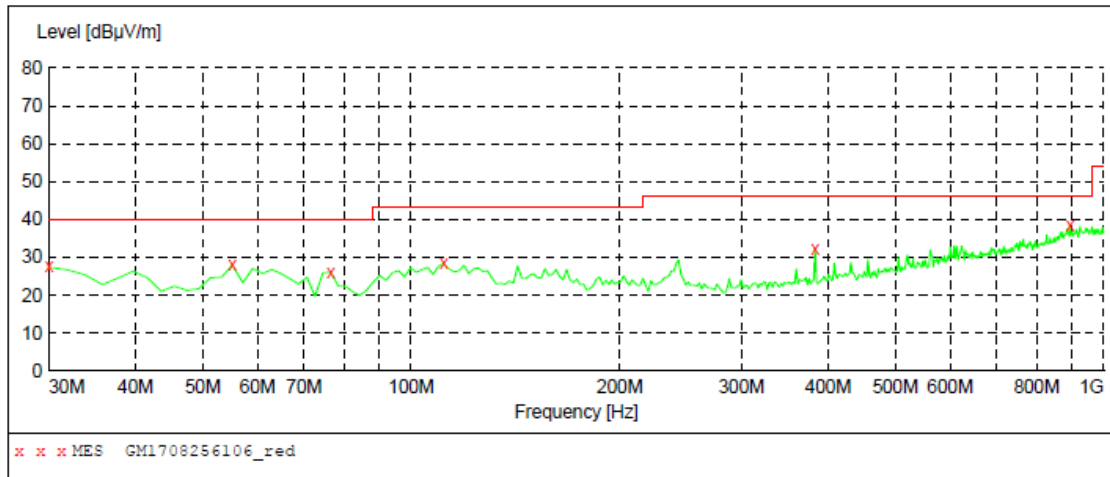
Please refer to the clause 3.3

TEST RESULTS

Passed **Not Applicable**

Note: Final Level = Receiver Read level + Antenna Factor + Cable Loss - Preamplifier Factor

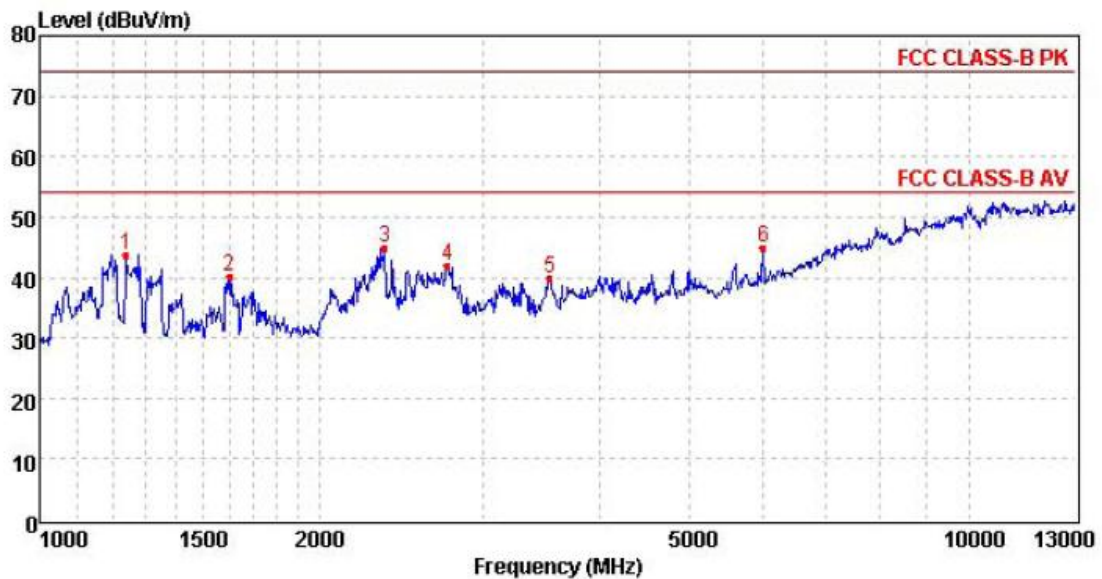
➤ Vertical



MEASUREMENT RESULT: "GM1708256106_red"

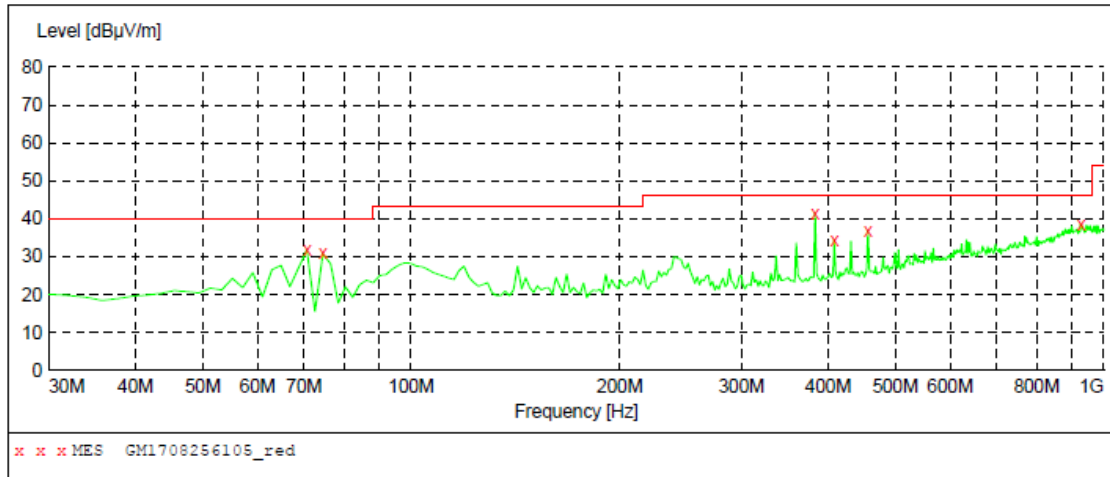
8/25/2017 11:13PM

Frequency MHz	Level dBuV/m	Transd dB	Limit dBuV/m	Margin dB	Det.	Height cm	Azimuth deg	Polarization
30.000000	27.50	-13.3	40.0	12.5	QP	100.0	191.00	VERTICAL
55.220000	28.00	-9.2	40.0	12.0	QP	100.0	350.00	VERTICAL
76.560000	26.10	-15.3	40.0	13.9	QP	100.0	176.00	VERTICAL
111.480000	28.40	-11.0	43.5	15.1	QP	100.0	42.00	VERTICAL
383.080000	32.30	-4.9	46.0	13.7	QP	100.0	323.00	VERTICAL
893.300000	38.30	6.6	46.0	7.7	QP	100.0	82.00	VERTICAL



Mark	Frequency MHz	Reading dBuV/m	Antenna dB	Cable dB	Preamp dB	Level dBuV/m	Limit dBuV/m	Over limit	Remark
1	1240.43	49.39	26.26	4.73	36.55	43.83	74.00	-30.17	Peak
2	1599.01	46.53	24.91	5.57	36.72	40.29	74.00	-33.71	Peak
3	2349.33	48.23	27.85	6.69	37.76	45.01	74.00	-28.99	Peak
4	2747.22	44.82	28.10	7.25	38.22	41.95	74.00	-32.05	Peak
5	3541.39	40.78	29.13	8.18	38.35	39.74	74.00	-34.26	Peak
6	6006.85	37.02	32.50	10.68	35.44	44.76	74.00	-29.24	Peak

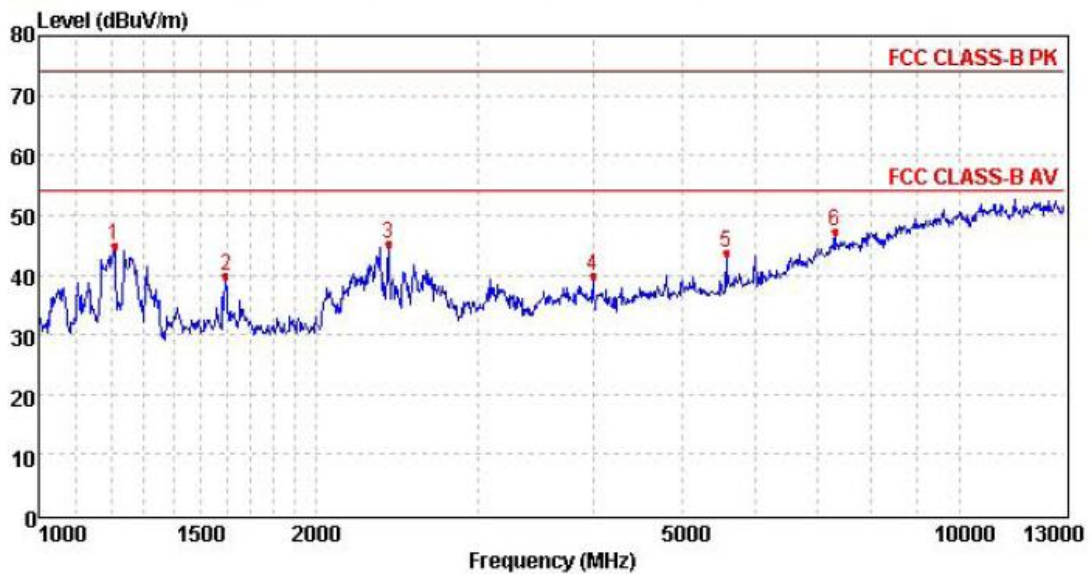
➤ Horizontal



MEASUREMENT RESULT: "GM1708256105_red"

8/25/2017 11:10PM

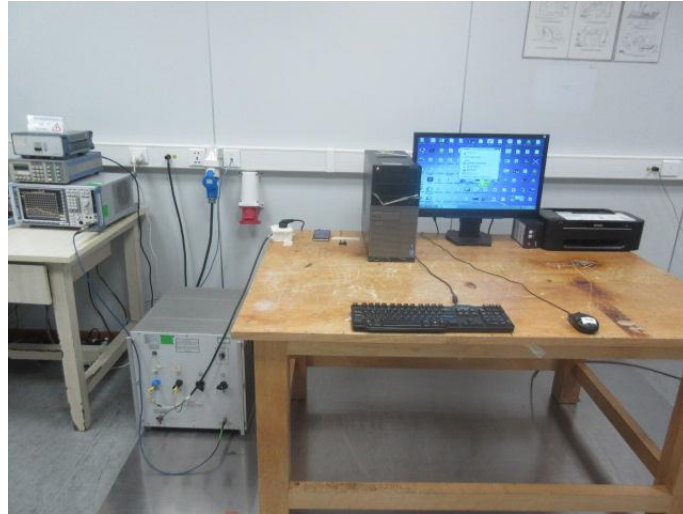
Frequency MHz	Level dBuV/m	Transd dB	Limit dBuV/m	Margin dB	Det.	Height cm	Azimuth deg	Polarization
70.740000	31.80	-13.3	40.0	8.2	QP	300.0	63.00	HORIZONTAL
74.620000	30.90	-14.8	40.0	9.1	QP	300.0	238.00	HORIZONTAL
383.080000	41.50	-4.9	46.0	4.5	QP	100.0	295.00	HORIZONTAL
408.300000	34.40	-4.0	46.0	11.6	QP	100.0	130.00	HORIZONTAL
456.800000	36.90	-3.1	46.0	9.1	QP	100.0	199.00	HORIZONTAL
926.280000	38.50	7.1	46.0	7.5	QP	300.0	211.00	HORIZONTAL



Mark	Frequency MHz	Reading dBuV/m	Antenna dB	Cable dB	Preamp dB	Level dBuV/m	Limit dBuV/m	Over limit	Remark
1	1209.02	50.44	26.29	4.68	36.57	44.84	74.00	-29.16	Peak
2	1594.92	46.07	24.94	5.56	36.71	39.86	74.00	-34.14	Peak
3	2398.03	48.68	27.61	6.77	37.89	45.17	74.00	-28.83	Peak
4	3995.12	39.48	29.70	8.77	38.11	39.84	74.00	-34.16	Peak
5	5576.25	37.49	31.82	10.25	35.98	43.58	74.00	-30.42	Peak
6	7318.47	33.91	36.30	11.98	34.93	47.26	74.00	-26.74	Peak

6. Test Setup Photos of the EUT

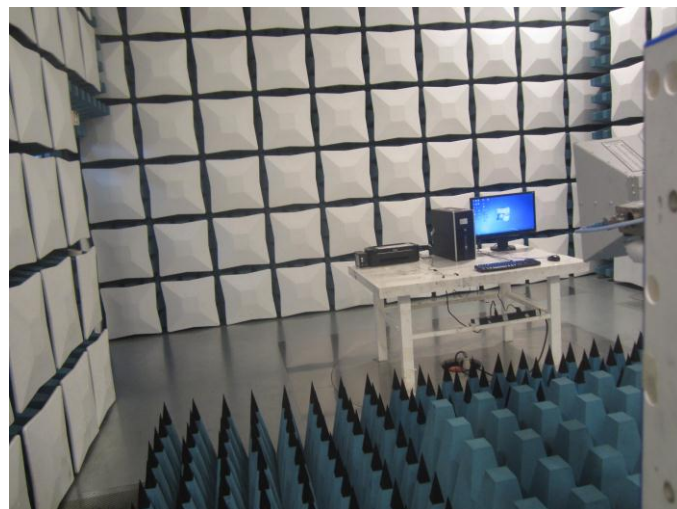
Conducted Emission Connect to PC



Radiated Emission (30MHz-1GHz) Connect to PC



Radiated Emission (above 1GHz) Connect to PC





7. External and Internal photos of the EUT

Reference to Test Report No.: TRE1708011801.

.....**End of Report**.....