

---

# FCC Test Report

---

Report No.: AGC00653160504FE07

**FCC ID** : 2AFD9EXPLORERX  
**APPLICATION PURPOSE** : Original Equipment  
**PRODUCT DESIGNATION** : mobile phone  
**BRAND NAME** : Ufone  
**MODEL NAME** : EXPLORER X  
**CLIENT** : MOVEON TECHNOLOGY LIMITED  
**DATE OF ISSUE** : June 03, 2016  
**STANDARD(S)** : FCC Part 15 Rules  
**REPORT VERSION** : V1.0

Attestation of Global Compliance (Shenzhen) Co., Ltd



**CAUTION:**

This report shall not be reproduced except in full without the written permission of the test laboratory and shall not be quoted out of context.



**Report Revise Record**

| <b>Report Version</b> | <b>Revise Time</b> | <b>Issued Date</b> | <b>Valid Version</b> | <b>Notes</b>    |
|-----------------------|--------------------|--------------------|----------------------|-----------------|
| V1.0                  | /                  | June 03, 2016      | Valid                | Original Report |

**TABLE OF CONTENTS**

- 1. VERIFICATION OF CONFORMITY ..... 4**
- 2. SYSTEM DESCRIPTION ..... 5**
- 3. MEASUREMENT UNCERTAINTY..... 5**
- 4. PRODUCT INFORMATION ..... 6**
- 5. SUPPORT EQUIPMENT..... 7**
- 6. TEST FACILITY ..... 8**
- 7. FCCLINE CONDUCTED EMISSION TEST ..... 10**
  - 7.1. LIMITS OF LINE CONDUCTED EMISSION TEST ..... 10
  - 7.2. BLOCK DIAGRAM OF TEST SETUP ..... 10
  - 7.3. PROCEDURE OF LINE CONDUCTED EMISSION TEST ..... 11
  - 7.4. TEST RESULT OF LINE CONDUCTED EMISSION TEST ..... 12
- 8. FCC RADIATED EMISSION TEST ..... 14**
  - 8.1. LIMITS OF RADIATED EMISSION TEST ..... 14
  - 8.2. BLOCK DIAGRAM OF TEST SETUP ..... 14
  - 8.3. PROCEDURE OF RADIATED EMISSION TEST ..... 16
  - 8.4. TEST RESULT OF RADIATED EMISSION TEST ..... 17
- APPENDIX A: PHOTOGRAPHS OF TEST SETUP ..... 21**
- APPENDIX B: PHOTOGRAPHS OF EUT ..... 23**

## 1. VERIFICATION OF CONFORMITY

|                                 |  |
|---------------------------------|--|
| <b>Applicant</b>                | MOVEON TECHNOLOGY LIMITED                                |
| <b>Address</b>                  | world trade plaza-A block #3201-3202 Fuhong Road, Futian |
| <b>Manufacturer</b>             | MOVEON TECHNOLOGY LIMITED                                |
| <b>Address</b>                  | world trade plaza-A block #3201-3202 Fuhong Road, Futian |
| <b>Product Designation</b>      | mobile phone   |
| <b>Brand Name</b>               | Ufone  |
| <b>Test Model</b>               | EXPLORER X   |
| <b>Date of test</b>             | May 24, 2016 to May 26, 2016                             |
| <b>Deviation</b>                | None   |
| <b>Condition of Test Sample</b> | Normal   |
| <b>Report Template</b>          | AGCRT-US-IT/AC   |

The above equipment was tested by Dongguan Precise Testing Service Co., Ltd. for compliance with the requirements set forth in the FCC Rules and Regulations Part 15, the measurement procedure according to ANSI C63.4:2014. This said equipment in the configuration described in this report shows the maximum emission levels emanating from equipment are within the compliance requirements.

The test results of this report relate only to the tested sample identified in this report.

Tested By *Dota Zhang*  
Dota Zhang(Zhang Jianfeng) Feb.17, 2016

Reviewed By *Bart Xie*  
Bart Xie(Xie Xiaobin) Feb.17, 2016

Approved By *Solger Zhang*  
Solger Zhang(Zhang Hongyi)  
Authorized Officer Feb.17, 2016

## 2. SYSTEM DESCRIPTION

### EUT test procedure:

1. Connect EUT and peripheral devices (PC) through USB port.
2. Power on the EUT, use the software to transfer data between EUT and PC.
3. Make sure the EUT operates normally during the test.

### Test Mode

| TEST MODE DESCRIPTION  |  |       |
|--|--|-------|
| NO.  | TEST MODE DESCRIPTION                  | WORST |
| 1  | USB (connection for data transferring) | V     |
| Note:<br>1.V means EMI worst mode<br>2 .Other modes have been verified through VOC mode.<br>3. USB cable is provided by AGC-Lab. |  |       |

## 3. MEASUREMENT UNCERTAINTY

The uncertainty is calculated using the methods suggested in the “Guide to the Expression of Uncertainty in Measurement” (GUM) published by ISO.

Conducted measurement: +/- 2.75dB

Radiated measurement: +/- 3.2Db

### Summary Of Test Results

| FCC Rules | Description Of Test                     | Result    |
|-----------|---|-----------|
| §15.107   | Conduction Emission                     | Compliant |
| §15.109   | Radiated Emission                       | Compliant |
| §15.33    | Frequency range of radiated measurement | Compliant |

#### 4. PRODUCT INFORMATION

|                       |                            |
|-----------------------|----------------------------|
| <b>Housing Type</b>   | plastics                   |
| <b>Adapter Input</b>  | AC100-240V, 50-60Hz, 150mA |
| <b>Adapter Output</b> | DC5V, 1000mA               |

**I/O Port Information (Applicable Not Applicable)**

| <b>I/O Port of EUT</b> |             |                   |                    |
|------------------------|-------------|-------------------|--------------------|
| <b>I/O Port Type</b>   | <b>Q'TY</b> | <b>Cable</b>      | <b>Tested with</b> |
| USB Port               | 1           | N/A               | N/A                |
| Earphone Port          | 1           | 1.0 m, unshielded | 1                  |

## 5. SUPPORT EQUIPMENT

| Device Type | Manufacturer | Model Name | Serial No.  | Data Cable | Power Cable     |
|-------------|--------------|------------|-------------|------------|-----------------|
| Notebook    | Lenovo       | B460       | WB03928113  | 1          | 1.5m unshielded |
| AC Adapter  | N/A          | 42T4416    | PA-1650-54I | 1          | 1.5m unshielded |

**Note:** All the above equipment/cables were placed in worse case positions to maximize emission signals during emission test.

## 6. TEST FACILITY

|                             |  |
|-----------------------------|--|
| <b>Site</b>                 | Dongguan Precise Testing Service Co., Ltd.   |
| <b>Location</b>             | Building D, Baoding Technology Park, Guangming Road2,Dongcheng District, Dongguan, Guangdong, China,   |
| <b>FCC Registration No.</b> | 371540   |
| <b>Description</b>          | The test site is constructed and calibrated to meet the FCC requirements in documents ANSI C63.4:2014. |

### ALL TEST EQUIPMENT LIST

FOR RADIATED EMISSION TEST (BELOW 1GHZ)

| Radiated Emission Test Site         |                 |              |               |                  |                 |
|-------------------------------------|-----------------|--------------|---------------|------------------|-----------------|
| Name of Equipment                   | Manufacturer    | Model Number | Serial Number | Last Calibration | Due Calibration |
| EMI Test Receiver                   | Rohde & Schwarz | ESCI         | 101417        | July 4, 2015     | July 3, 2016    |
| Trilog Broadband Antenna (25M-1GHz) | SCHWARZBECK     | VULB9160     | 9160-3355     | July 4, 2015     | July 3, 2016    |
| Signal Amplifier                    | SCHWARZBECK     | BBV 9475     | 9745-0013     | July 4, 2015     | July 3, 2016    |
| RF Cable                            | SCHWARZBECK     | AK9515E      | 96221         | July 4, 2015     | July 3, 2016    |
| 3m Anechoic Chamber                 | CHENGYU         | 966          | PTS-001       | June 6, 2015     | June 5, 2016    |
| MULTI-DEVICE Positioning Controller | Max-Full        | MF-7802      | MF780208339   | N/A              | N/A             |
| Active loop antenna (9K-30MHz)      | Schwarzbeck     | FMZB1519     | 1519-038      | June 6, 2015     | June 5, 2016    |
| Spectrum analyzer                   | Agilent         | E4407B       | MY46185649    | June 6, 2015     | June 5, 2016    |

FOR RADIATED EMISSION TEST (1GHZ ABOVE)

| Radiated Emission Test Site |                 |              |               |                  |                 |
|-----------------------------|-----------------|--------------|---------------|------------------|-----------------|
| Name of Equipment           | Manufacturer    | Model Number | Serial Number | Last Calibration | Due Calibration |
| EMI Test Receiver           | Rohde & Schwarz | ESCI         | 101417        | July 4, 2015     | July 3, 2016    |
| Horn Antenna (1G-18GHz)     | SCHWARZBECK     | BBHA9120D    | 9120D-1246    | July 11, 2015    | July 10, 2016   |
| Spectrum Analyzer           | Agilent         | E4411B       | MY4511453     | July 4, 2015     | July 3, 2016    |
| Signal Amplifier            | SCHWARZBECK     | BBV 9718     | 9718-269      | July 7, 2015     | July 6, 2016    |
| RF Cable                    | SCHWARZBECK     | AK9515H      | 96220         | July 8, 2015     | July 7, 2016    |
| 3m Anechoic Chamber         | CHENGYU         | 966          | PTS-001       | June 6, 2015     | June 5, 2016    |



|  |             |           |             |              |              |
|--|-------------|-----------|-------------|--------------|--------------|
| MULTI-DEVICE<br>Positioning Controller | Max-Full    | MF-7802   | MF780208339 | N/A          | N/A          |
| Horn Ant (18G-40GHz)                   | Schwarzbeck | BBHA 9170 | 9170-181    | June 6, 2015 | June 5, 2016 |

| <b>Conducted Emission Test Site</b> |                     |                     |                      |                         |                        |
|-------------------------------------|---------------------|---------------------|----------------------|-------------------------|------------------------|
| <b>Name of Equipment</b>            | <b>Manufacturer</b> | <b>Model Number</b> | <b>Serial Number</b> | <b>Last Calibration</b> | <b>Due Calibration</b> |
| EMI Test Receiver                   | Rohde & Schwarz     | ESCI                | 101417               | July 4, 2015            | July 3, 2016           |
| Artificial Mains Network            | Narda               | L2-16B              | 000WX31025           | July 8, 2015            | July 7, 2016           |
| Artificial Mains Network (AUX)      | Narda               | L2-16B              | 000WX31026           | July 8, 2015            | July 7, 2016           |
| RF Cable                            | SCHWARZBECK         | AK9515E             | 96222                | July 4, 2015            | July 3, 2016           |
| Shielded Room                       | CHENGYU             | 843                 | PTS-002              | June 6,2015             | June 5,2016            |

**7. FCCLINE CONDUCTED EMISSION TEST**

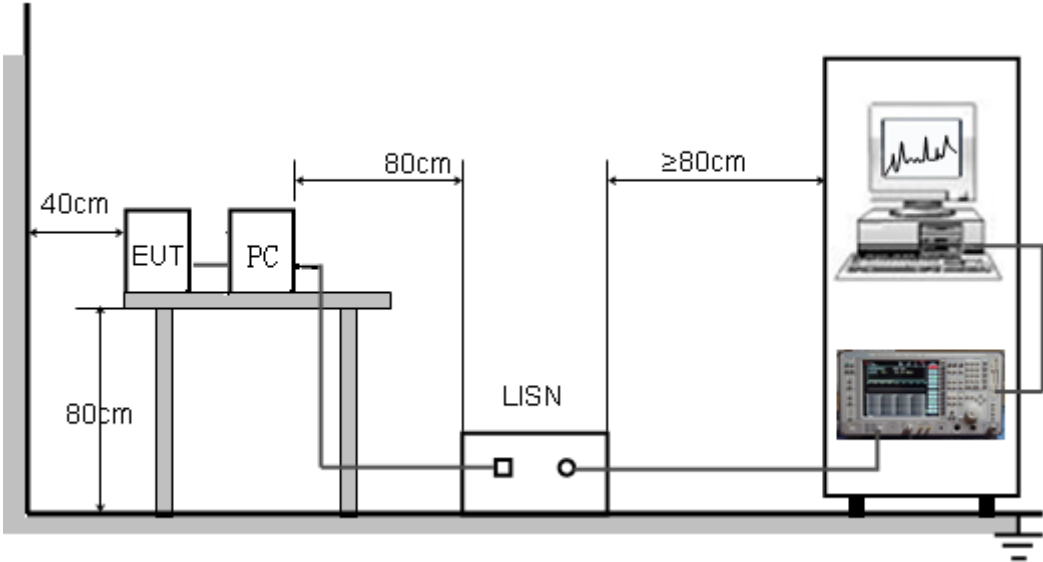
**7.1. LIMITS OF LINE CONDUCTED EMISSION TEST**

| Frequency     | Maximum RF Line Voltage |                |
|---------------|-------------------------|----------------|
|               | Q.P.( dBuV)             | Average( dBuV) |
| 150kHz-500kHz | 66-56                   | 56-46          |
| 500kHz-5MHz   | 56                      | 46             |
| 5MHz-30MHz    | 60                      | 50             |

**Note:**

1. The lower limit shall apply at the transition frequency.
2. The limit decreases linearly with the logarithm of the frequency in the range 0.15 MHz to 0.50MHz.

**7.2. BLOCK DIAGRAM OF TEST SETUP**

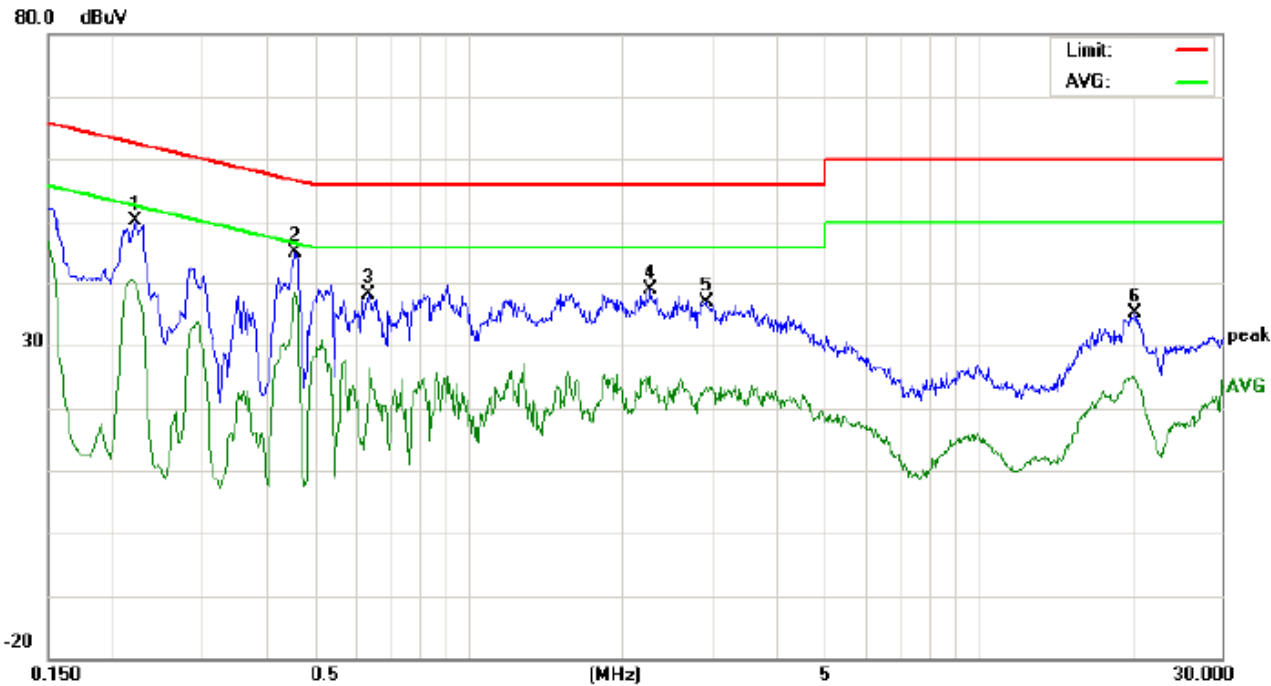


### 7.3. PROCEDURE OF LINE CONDUCTED EMISSION TEST

- (1) The equipment was set up as per the test configuration to simulate typical actual usage per the user's manual. When the EUT is a tabletop system, a wooden table with a height of 0.8 meters is used and is placed on the ground plane as per ANSI C63.4 (see Test Facility for the dimensions of the ground plane used). When the EUT is a floor-standing equipment, it is placed on the ground plane which has a 3-12 mm non-conductive covering to insulate the EUT from the ground plane.
- (2) Support equipment, if needed, was placed as per ANSI C63.4.
- (3) All I/O cables were positioned to simulate typical actual usage as per ANSI C63.4.
- (4) The EUT received DC5V power from PC with receive AC120V/60Hz power from a LISN.
- (5) The EUT test program was started. Emissions were measured on each current carrying line of the EUT using a spectrum Analyzer / Receiver connected to the LISN powering the EUT. The LISN has two monitoring points: Line 1 (Hot Side) and Line 2 (Neutral Side). Two scans were taken: one with Line 1 connected to Analyzer / Receiver and Line 2 connected to a 50 ohm load; the second scan had Line 1 connected to a 50 ohm load and Line 2 connected to the Analyzer / Receiver.
- (6) Analyzer / Receiver scanned from 150 kHz to 30MHz for emissions in each of the test modes.
- (7) During the above scans, the emissions were maximized by cable manipulation.
- (8) A scan was taken on both power lines, Line 1 and Line 2, recording at least the six highest emissions.
- (9) Emission frequency and amplitude were recorded into a computer in which correction factors were used to calculate the emission level and compare reading to the applicable limit. If EUT emission level was less -2dB to the A.V. limit in Peak mode, then the emission signal was re-checked using Q.P and Average detector.

The test data of the worst case condition (mode 1) was reported on the Summary Data page.

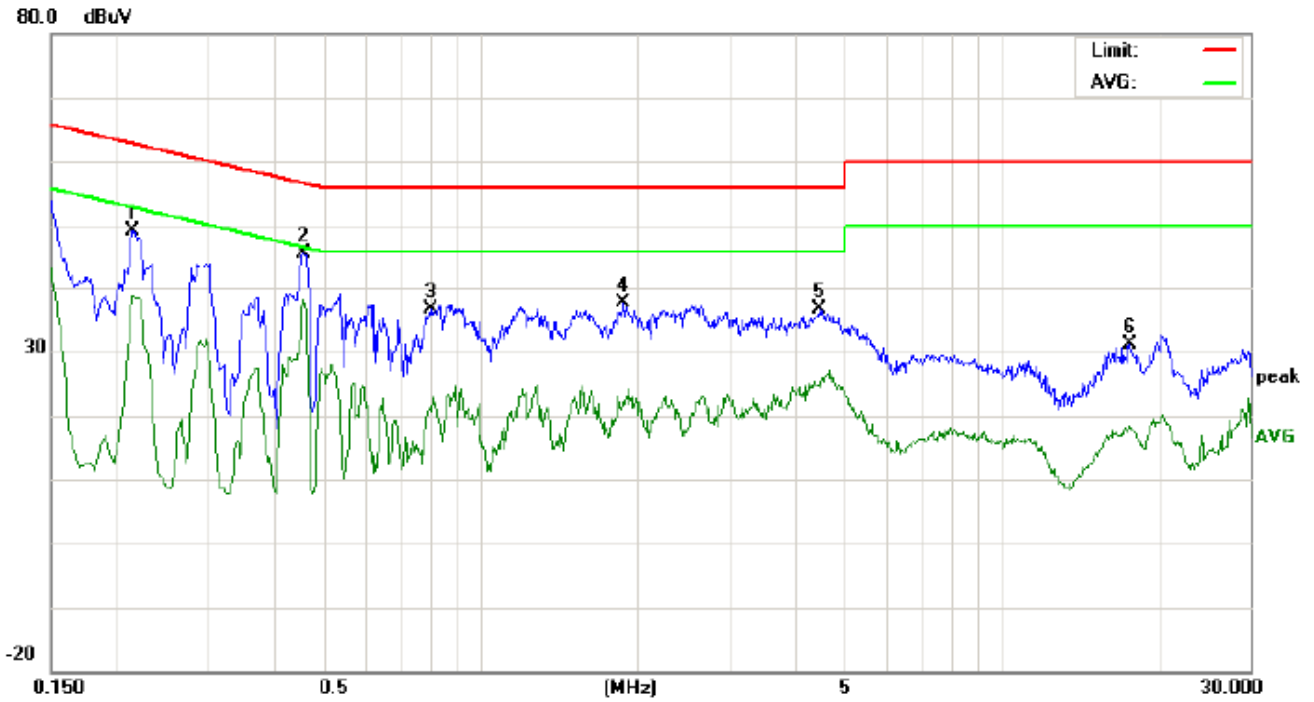
**7.4. TEST RESULT OF LINE CONDUCTED EMISSION TEST**  
 LINE CONDUCTED EMISSION TEST-L



Site: Conduction Phase: **L1** Temperature: 26  
 Limit: FCC Class B Conduction(QP) Power: AC 120V/60Hz Humidity: 60 %  
 EUT: mobile phone  
 M/N: EXPLORER X  
 Mode: USB  
 Note:

| No. | Freq. (MHz) | Reading_Level (dBuV) |    |       | Correct Factor (dB) | Measurement (dBuV) |    |       | Limit (dBuV) |       | Margin (dB) |        | P/F | Comment |
|-----|-------------|----------------------|----|-------|---------------------|--------------------|----|-------|--------------|-------|-------------|--------|-----|---------|
|     |             | Peak                 | QP | AVG   |                     | Peak               | QP | AVG   | QP           | AVG   | QP          | AVG    |     |         |
| 1   | 0.2220      | 39.91                |    | 29.63 | 10.24               | 50.15              |    | 39.87 | 62.74        | 52.74 | -12.59      | -12.87 | P   |         |
| 2   | 0.4580      | 34.77                |    | 27.93 | 10.37               | 45.14              |    | 38.30 | 56.73        | 46.73 | -11.59      | -8.43  | P   |         |
| 3   | 0.6340      | 27.73                |    | 13.14 | 10.32               | 38.05              |    | 23.46 | 56.00        | 46.00 | -17.95      | -22.54 | P   |         |
| 4   | 2.2780      | 28.51                |    | 13.93 | 10.34               | 38.85              |    | 24.27 | 56.00        | 46.00 | -17.15      | -21.73 | P   |         |
| 5   | 2.9180      | 26.32                |    | 12.69 | 10.53               | 36.85              |    | 23.22 | 56.00        | 46.00 | -19.15      | -22.78 | P   |         |
| 6   | 20.2939     | 25.02                |    | 15.02 | 10.12               | 35.14              |    | 25.14 | 60.00        | 50.00 | -24.86      | -24.86 | P   |         |

LINE CONDUCTED EMISSION TEST-N



Site: Conduction Phase: **N** Temperature: 26  
Limit: FCC Class B Conduction(QP) Power: AC 120V/60Hz Humidity: 60 %  
EUT: mobile phone  
M/N: EXPLORER X  
Mode: USB  
Note:

| No. | Freq. (MHz) | Reading_Level (dBuV) |    |       | Correct Factor (dB) | Measurement (dBuV) |    |       | Limit (dBuV) |       | Margin (dB) |        | P/F | Comment |
|-----|-------------|----------------------|----|-------|---------------------|--------------------|----|-------|--------------|-------|-------------|--------|-----|---------|
|     |             | Peak                 | QP | AVG   |                     | Peak               | QP | AVG   | QP           | AVG   | QP          | AVG    |     |         |
| 1   | 0.2139      | 38.95                |    | 28.43 | 10.23               | 49.18              |    | 38.66 | 63.05        | 53.05 | -13.87      | -14.39 | P   |         |
| 2   | 0.4580      | 35.29                |    | 27.66 | 10.37               | 45.66              |    | 38.03 | 56.73        | 46.73 | -11.07      | -8.70  | P   |         |
| 3   | 0.8020      | 26.40                |    | 10.67 | 10.28               | 36.68              |    | 20.95 | 56.00        | 46.00 | -19.32      | -25.05 | P   |         |
| 4   | 1.8779      | 27.33                |    | 11.65 | 10.26               | 37.59              |    | 21.91 | 56.00        | 46.00 | -18.41      | -24.09 | P   |         |
| 5   | 4.4659      | 26.42                |    | 14.21 | 10.22               | 36.64              |    | 24.43 | 56.00        | 46.00 | -19.36      | -21.57 | P   |         |
| 6   | 17.5899     | 20.90                |    | 8.19  | 10.12               | 31.02              |    | 18.31 | 60.00        | 50.00 | -28.98      | -31.69 | P   |         |

**RESULT: PASS**

## 8. FCC RADIATED EMISSION TEST

8.1. Except for Class A digital devices, the field strength of radiated emissions from unintentional radiators at a distance of 3 meters shall not exceed the following values:

| Frequency (MHz) | Distance (m) | Maximum Field Strength Limit (dBuV/m/ Q.P.) |
|-----------------|--------------|---|
| 30~88           | 3            | 40.0  |
| 88~216          | 3            | 43.5  |
| 216~960         | 3            | 46.0  |
| Above 960       | 3            | 54.0  |

Note: The lower limit shall apply at the transition frequency.

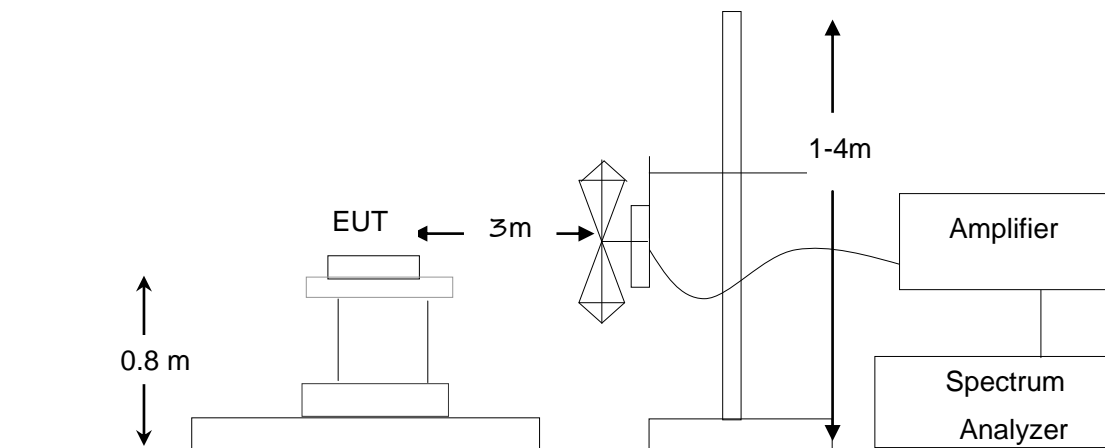
8.1.1 The following table is the setting of spectrum analyzer and receiver:

| Spectrum Parameter    | Setting   |
|-----------------------|---|
| Start ~Stop Frequency | 9KHz~150KHz/RB 200Hz for QP                               |
| Start ~Stop Frequency | 150KHz~30MHz/RB 9KHz for QP                               |
| Start ~Stop Frequency | 30MHz~1000MHz/RB 120KHz for QP                            |
| Start ~Stop Frequency | 1GHz~26.5GHz<br>1MHz/1MHz for Peak, 1MHz/10Hz for Average |

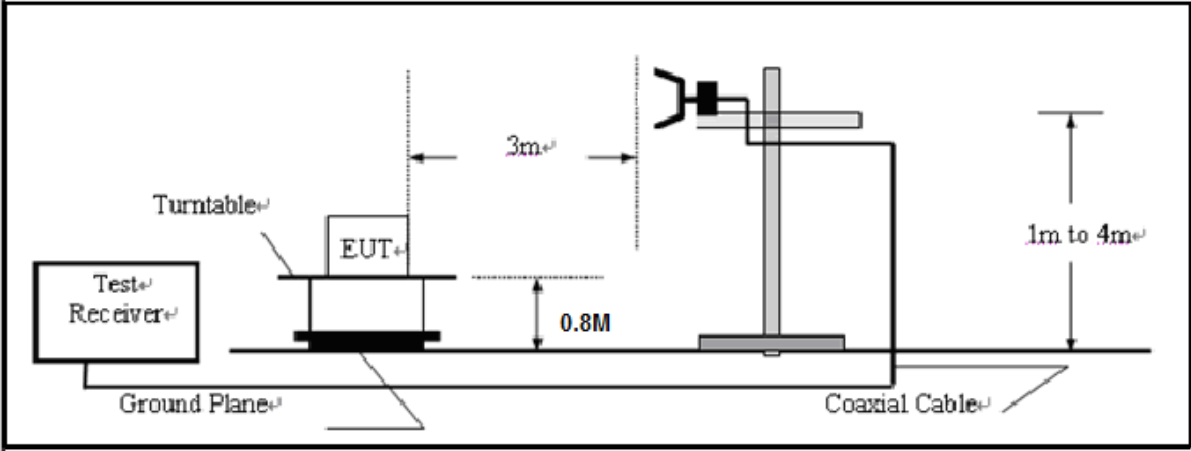
| Receiver Parameter    | Setting                        |
|-----------------------|--------------------------------|
| Start ~Stop Frequency | 9KHz~150KHz/RB 200Hz for QP    |
| Start ~Stop Frequency | 150KHz~30MHz/RB 9KHz for QP    |
| Start ~Stop Frequency | 30MHz~1000MHz/RB 120KHz for QP |

## 8.2. BLOCK DIAGRAM OF TEST SETUP

System Diagram of Connections between EUT and Simulators



RADIATED EMISSION TEST SETUP ABOVE 1000MHz



### 8.3. PROCEDURE OF RADIATED EMISSION TEST

1. Configure the EUT according to ANSI C63.4. The EUT was placed on the top of the turntable 0.8 meter above ground. The phase center of the receiving antenna mounted on the top of a height-variable antenna tower was placed 3 meters far away from the turntable.
2. Power on the EUT and all the supporting units. The turntable was rotated by 360 degrees to determine the position of the highest radiation.
3. The height of the broadband receiving antenna was varied between one meter and four meters above ground to find the maximum emissions field strength of both horizontal and vertical polarization.
4. For each suspected emissions, the antenna tower was scan (from 1 M to 4 M) and then the turntable was rotated (from 0 degree to 360 degrees) to find the maximum reading.
5. Set the test-receiver system to Peak or CISPR quasi-peak Detect Function with specified bandwidth under Maximum Hold Mode.
6. For emissions above 1GHz, use 1MHz RBW and 3MHz VBW for peak reading. Then 1MHz RBW and 3MHz VBW for average reading in spectrum analyzer. The EUT was placed on the top of the turntable 0.8 meter above ground. The phase center of the receiving antenna mounted on the top of a height-variable antenna tower was placed 3 meters far away from the turntable.
7. When the radiated emissions limits are expressed in terms of the average value of the emissions, and pulsed operation is employed, the measurement field strength shall be determined by averaging over one complete pulse train, including blanking intervals, as long as the pulse train does not exceed 0.1 seconds. As an alternative (provided the transmitter operates for longer than 0.1 seconds) or in cases where the pulse train exceeds 0.1 seconds, the measured field strength shall be determined from the average absolute voltage during a 0.1 second interval during which the field strength is at its maximum values.
8. If the emissions level of the EUT in peak mode was 3 dB lower than the average limit specified, then testing will be stopped and peak values of EUT will be reported, otherwise, the emissions which do not have 3 dB margin will be repeated one by one using the quasi-peak method for below 1GHz.
9. If the emission level of the EUT in peak mode was 10 dB lower than the limit specified, then testing could be stopped and the peak values of the EUT would be reported. Otherwise the emissions that did not have 10 dB margin would be re-tested one by one using peak, quasi-peak or average method as specified and then reported in a data sheet.
10. In case the emission is lower than 30MHz, loop antenna has to be used for measurement and the recorded data should be QP measured by receiver. High - Low scan is not required in this case.
11. The test data of the worst case condition (mode 1) was reported on the Summary Data page.

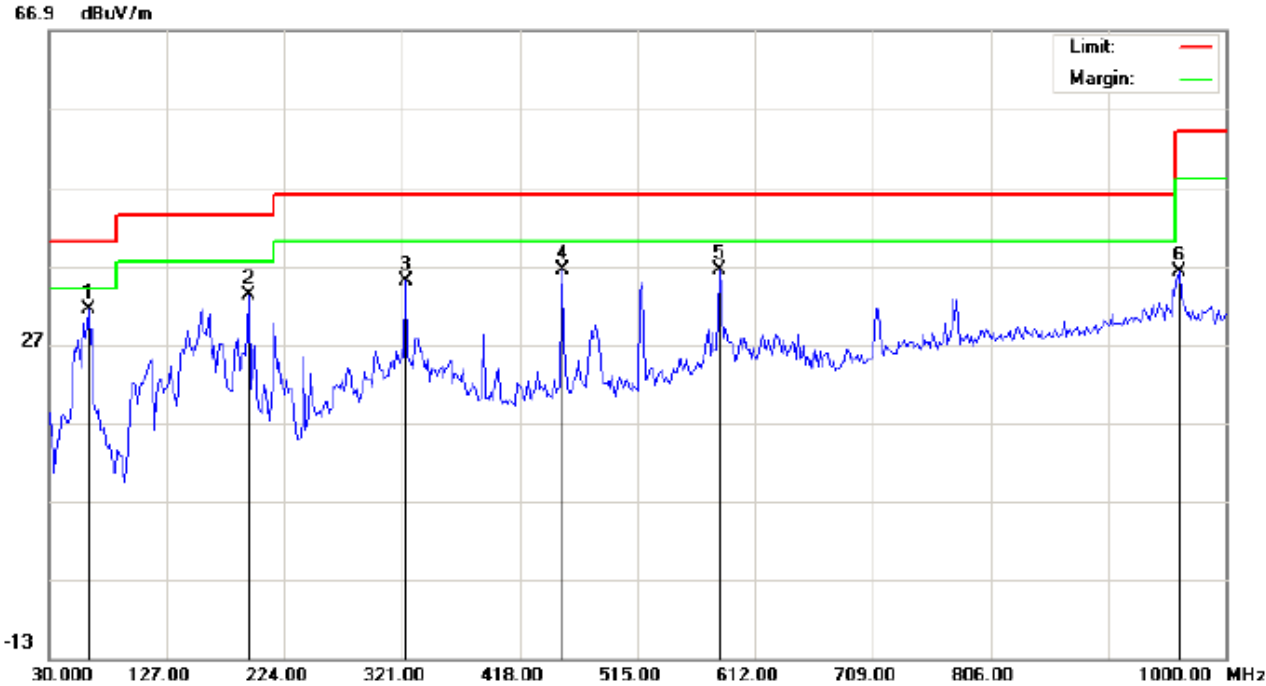


**8.4. TEST RESULT OF RADIATED EMISSION TEST**

**RADIATED EMISSION BELOW 30MHZ**

No emission found between lowest internal used/generated frequencies to 30MHz

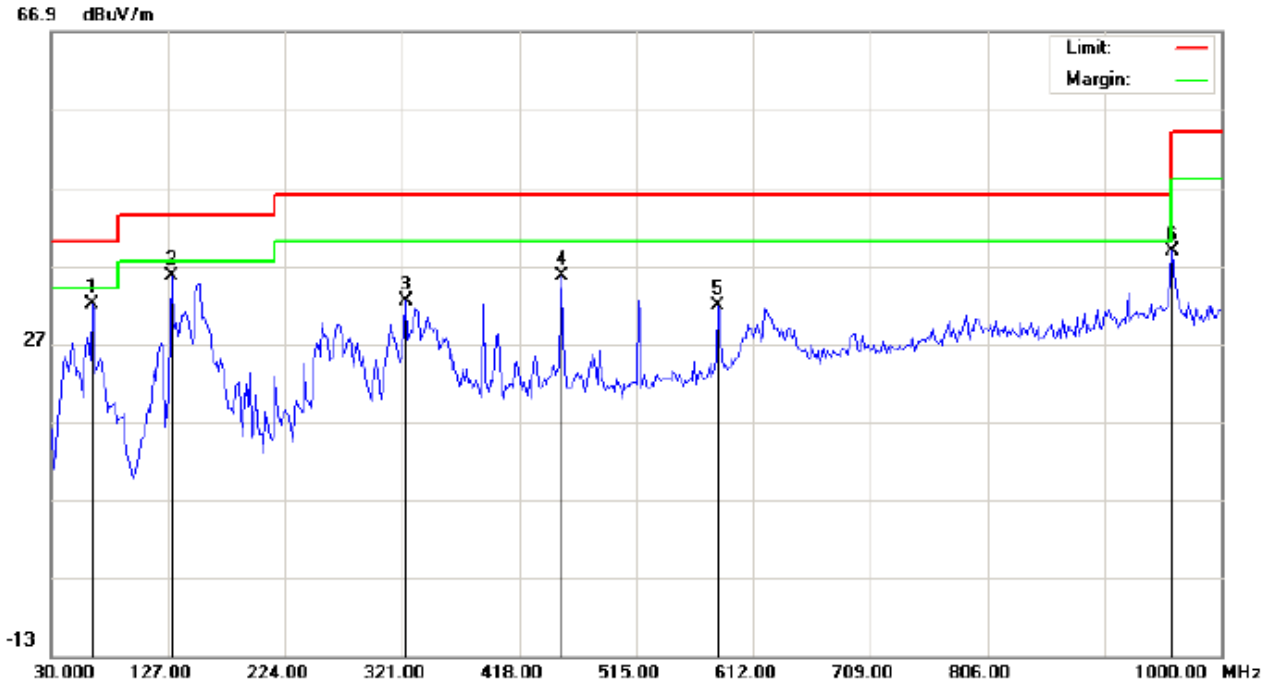
Radiated Emission Test at 3m Distance-Horizontal



|                                 |                                 |                   |
|---------------------------------|---------------------------------|-------------------|
| Site: site #1                   | Polarization: <i>Horizontal</i> | Temperature: 23.1 |
| Limit: FCC Class B 3M Radiation | Power: AC 120V/60Hz             | Humidity: 53.6 %  |
| EUT: mobile phone               | Distance: 3m                    |                   |
| M/N: EXPLORER X                 |                                 |                   |
| Mode: USB                       |                                 |                   |
| Note:                           |                                 |                   |

| No. | Mk | Freq.    | Reading | Factor | Measurement | Limit  | Over   | Detector | Antenna Height | Table Degree | Comment |
|-----|----|----------|---------|--------|-------------|--------|--------|----------|----------------|--------------|---------|
|     |    | MHz      | dBuV    | dB/m   | dBuV/m      | dBuV/m | dB     |          | cm             | degree       |         |
| 1   | *  | 62.3333  | 28.62   | 2.78   | 31.40       | 40.00  | -8.60  | peak     |                |              |         |
| 2   |    | 194.9000 | 21.48   | 11.76  | 33.24       | 43.50  | -10.26 | peak     |                |              |         |
| 3   |    | 324.2333 | 17.98   | 17.02  | 35.00       | 46.00  | -11.00 | peak     |                |              |         |
| 4   |    | 453.5667 | 15.81   | 20.63  | 36.44       | 46.00  | -9.56  | peak     |                |              |         |
| 5   |    | 582.9000 | 13.11   | 23.30  | 36.41       | 46.00  | -9.59  | peak     |                |              |         |
| 6   |    | 961.2000 | 6.33    | 29.89  | 36.22       | 54.00  | -17.78 | peak     |                |              |         |

Radiated Emission Test at 3m Distance-Vertical



Site: site #1  
 Limit: FCC Class B 3M Radiation  
 EUT: mobile phone  
 M/N: EXPLORER X  
 Mode: USB  
 Note:

Polarization: *Vertical*  
 Power: AC 120V/60Hz  
 Distance: 3m

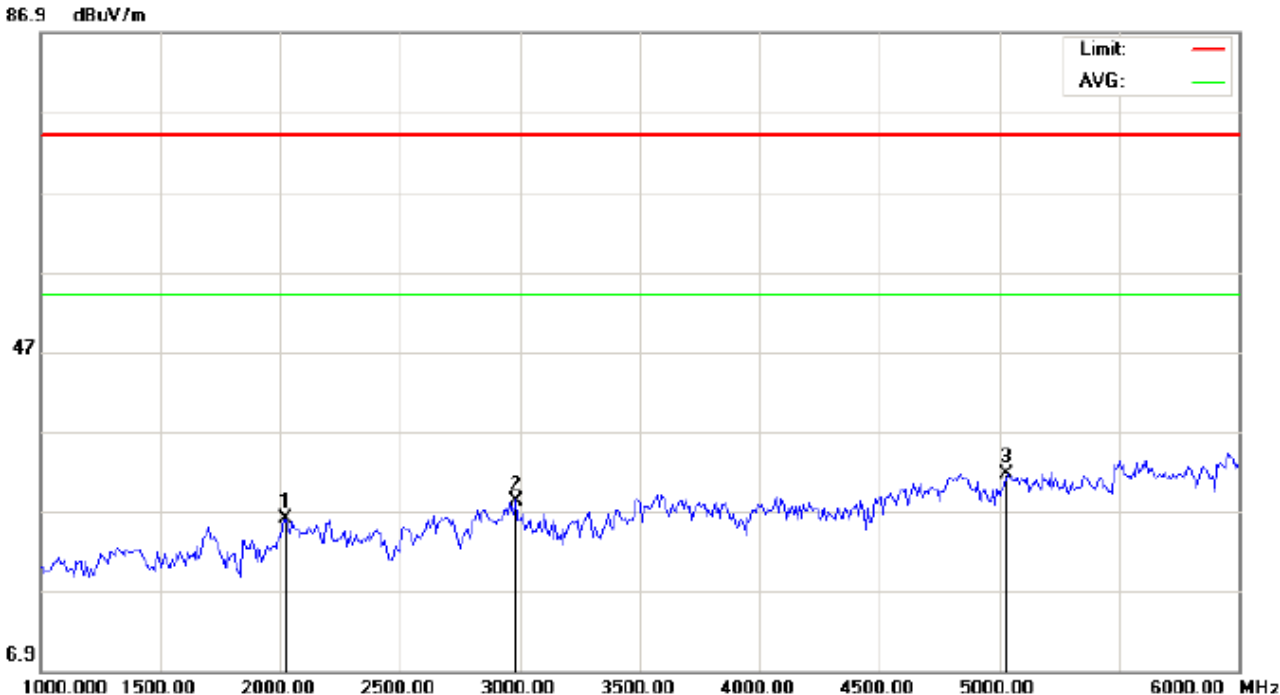
Temperature: 23.1  
 Humidity: 53.6 %

| No. | Mk | Freq.    | Reading | Factor | Measurement | Limit  | Over   | Detector | Antenna Height | Table Degree | Comment |
|-----|----|----------|---------|--------|-------------|--------|--------|----------|----------------|--------------|---------|
|     |    | MHz      | dBuV    | dB/m   | dBuV/m      | dBuV/m | dB     |          | cm             | degree       |         |
| 1   |    | 63.9500  | 25.31   | 6.61   | 31.92       | 40.00  | -8.08  | peak     |                |              |         |
| 2   |    | 130.2333 | 24.49   | 11.13  | 35.62       | 43.50  | -7.88  | peak     |                |              |         |
| 3   |    | 324.2333 | 15.33   | 17.02  | 32.35       | 46.00  | -13.65 | peak     |                |              |         |
| 4   |    | 453.5667 | 14.92   | 20.63  | 35.55       | 46.00  | -10.45 | peak     |                |              |         |
| 5   |    | 582.9000 | 9.18    | 22.64  | 31.82       | 46.00  | -14.18 | peak     |                |              |         |
| 6   | *  | 959.5833 | 8.89    | 29.91  | 38.80       | 46.00  | -7.20  | peak     |                |              |         |

**RESULT: PASS**

Note: 1.Measurement = Reading + Factor, Over = Measurement – Limit.  
 2. The “Factor” value can be calculated automatically by software of measurement system.

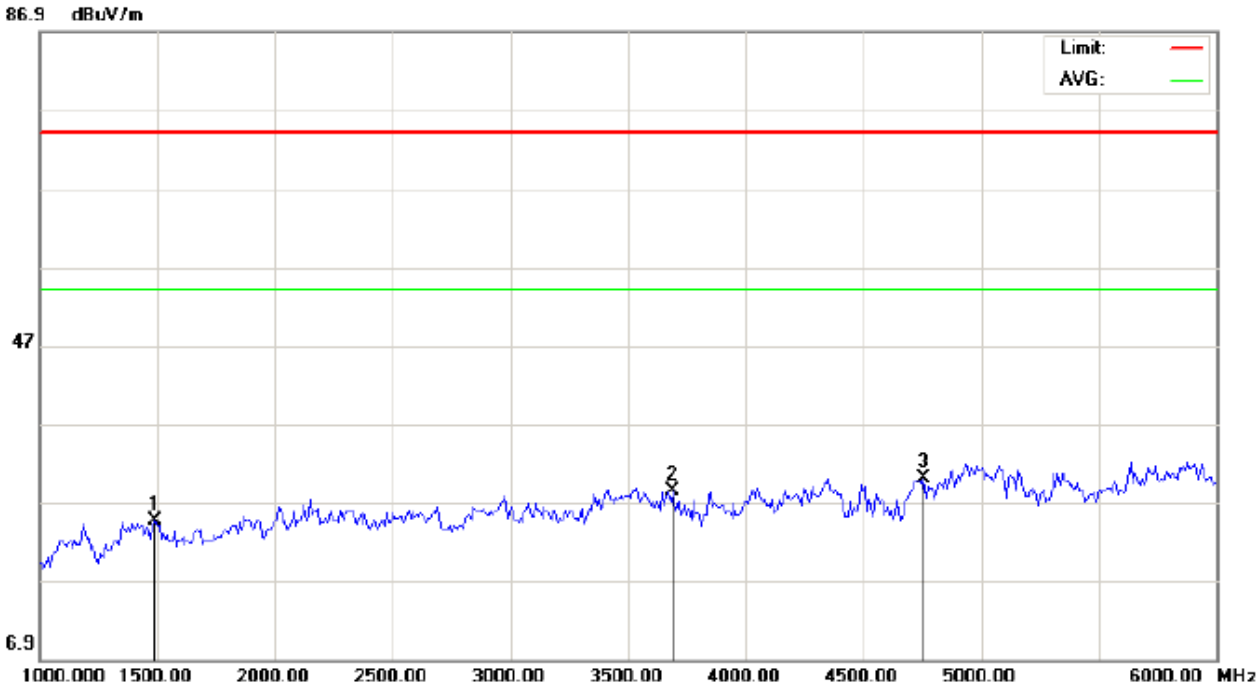
Radiated Emission Above 1GHZ (1-10<sup>th</sup> Harmonics) –Horizontal



|  |                                 |                   |
|--|---------------------------------|-------------------|
| Site: site #1                                  | Polarization: <i>Horizontal</i> | Temperature: 22.2 |
| Limit: FCC Class B 3M Radiation above 1GHZ(PK) | Power: AC 120V/60Hz             | Humidity: 51.6 %  |
| EUT: mobile phone                              | Distance: 3m                    |                   |
| M/N: EXPLORER X                                |                                 |                   |
| Mode: USB                                      |                                 |                   |
| Note:  |                                 |                   |

| No. | Mk | Freq.    | Reading | Factor | Measurement | Limit  | Over   | Detector | Antenna Height | Table Degree | Comment |
|-----|----|----------|---------|--------|-------------|--------|--------|----------|----------------|--------------|---------|
|     |    | MHz      | dBuV    | dB/m   | dBuV/m      | dBuV/m | dB     |          | cm             | degree       |         |
| 1   |    | 2025.000 | 26.10   | 0.00   | 26.10       | 74.00  | -47.90 | peak     |                |              |         |
| 2   |    | 2983.333 | 28.30   | 0.00   | 28.30       | 74.00  | -45.70 | peak     |                |              |         |
| 3   | *  | 5033.333 | 31.56   | 0.00   | 31.56       | 74.00  | -42.44 | peak     |                |              |         |

Radiated Emission Above 1GHZ (1-10<sup>th</sup> Harmonics) –Vertical



Site: site #1    Polarization: *Vertical*    Temperature: 22.2  
 Limit: FCC Class B 3M Radiation above 1GHZ(PK)    Power: AC 120V/60Hz    Humidity: 51.6 %  
 EUT: mobile phone    Distance: 3m  
 M/N: EXPLORER X  
 Mode:USB  
 Note:

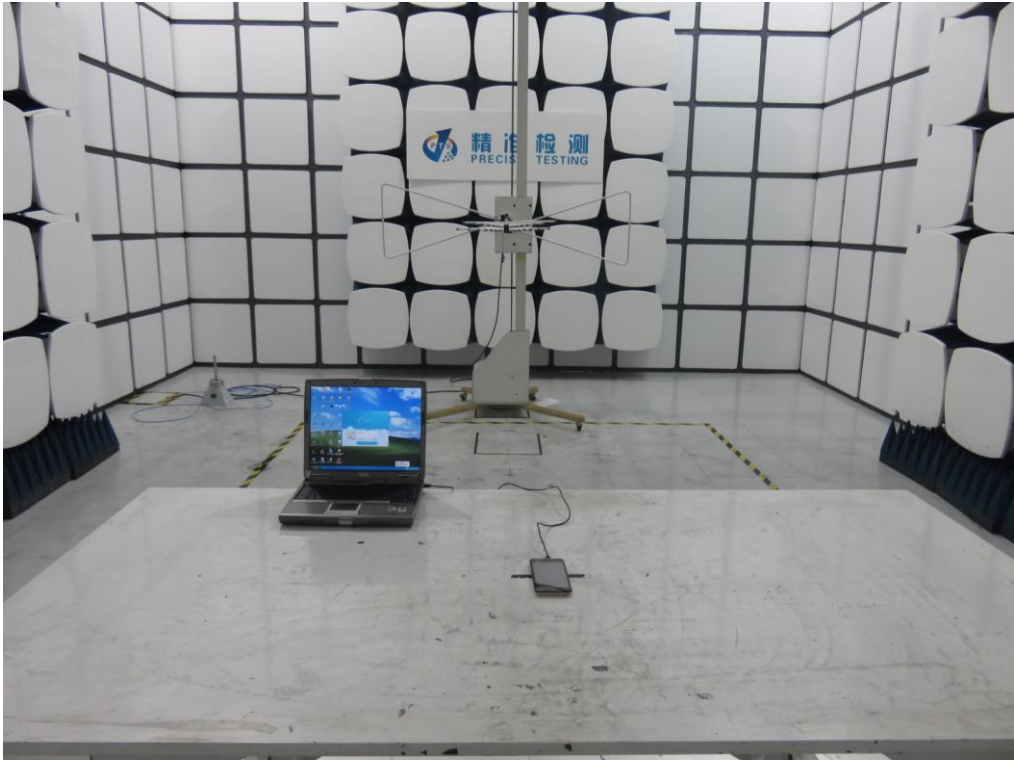
| No. | Mk | Freq.    | Reading | Factor | Measurement | Limit  | Over   | Detector | Antenna | Table  | Comment |
|-----|----|----------|---------|--------|-------------|--------|--------|----------|---------|--------|---------|
|     |    | MHz      | dBuV    | dB/m   | dBuV/m      | dBuV/m | dB     |          | Height  | Degree |         |
|     |    |          |         |        |             |        |        |          | cm      | degree |         |
| 1   |    | 1491.667 | 24.67   | 0.00   | 24.67       | 74.00  | -49.33 | peak     |         |        |         |
| 2   |    | 3691.667 | 28.39   | 0.00   | 28.39       | 74.00  | -45.61 | peak     |         |        |         |
| 3   | *  | 4758.333 | 29.95   | 0.00   | 29.95       | 74.00  | -44.05 | peak     |         |        |         |

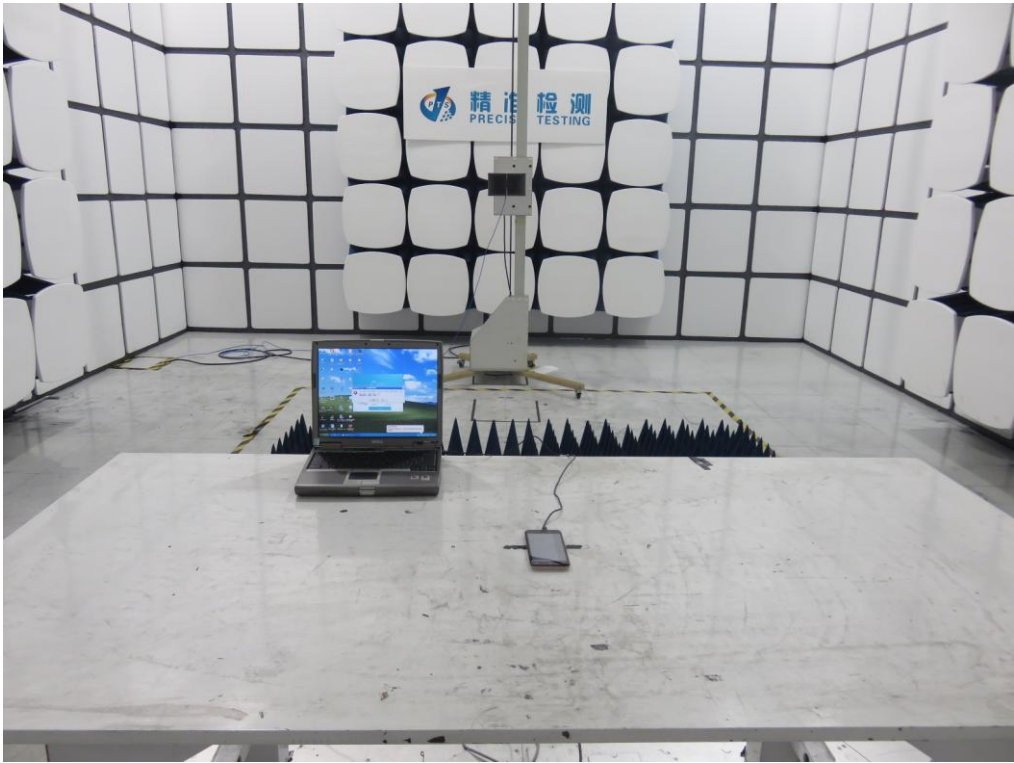
- Note:** 1. The Eut operates at 2400~2483.5MHz, according to FCC part 15.33, if the intentional radiator operates below 10 GHz: to the tenth harmonic of the highest fundamental frequency or to 40 GHz, whichever is lower. It's approximately to 25G.  
 2.6~25GHz at least have 20dB margin. No recording in the test report.  
 3. Factor=Antenna Factor + Cable loss - Amplifier gain, Margin=Measurement-Limit.  
 4. The "Factor" value can be calculated automatically by software of measurement system.

**APPENDIX A: PHOTOGRAPHS OF TEST SETUP**  
FCC LINE CONDUCTED EMISSION TEST SETUP



FCC RADIATED EMISSION TEST SETUP





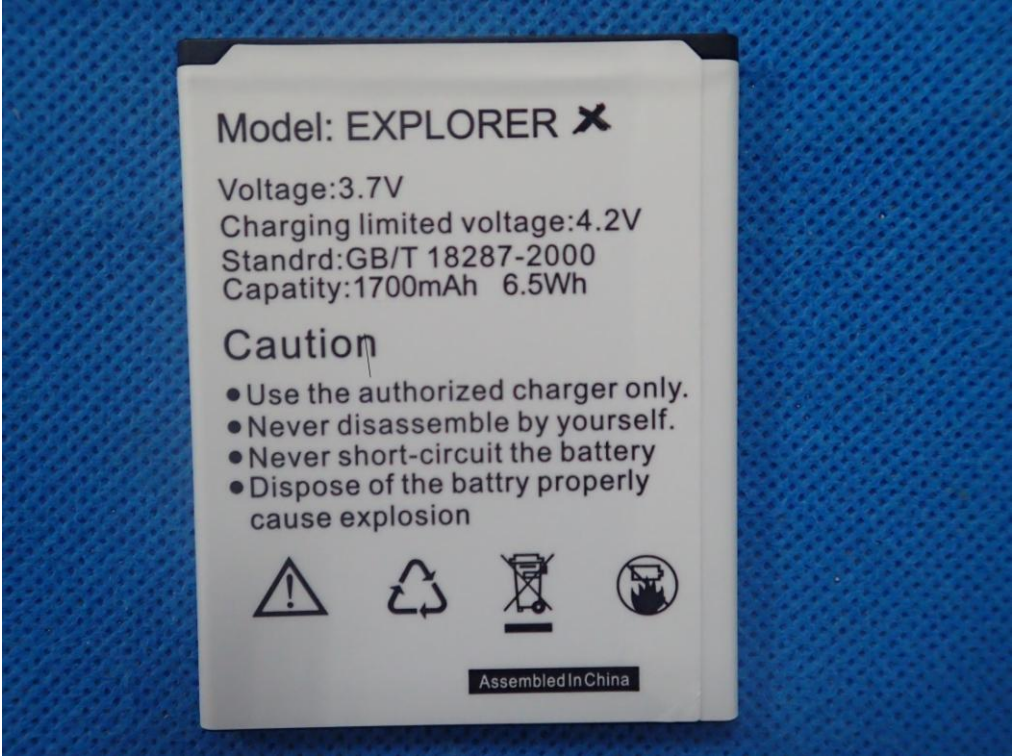
**APPENDIX B: PHOTOGRAPHS OF EUT**  
TOTAL VIEW OF EUT



THE LABEL OF ADAPTER



THE LABEL OF BATTERY



TOP VIEW OF EUT





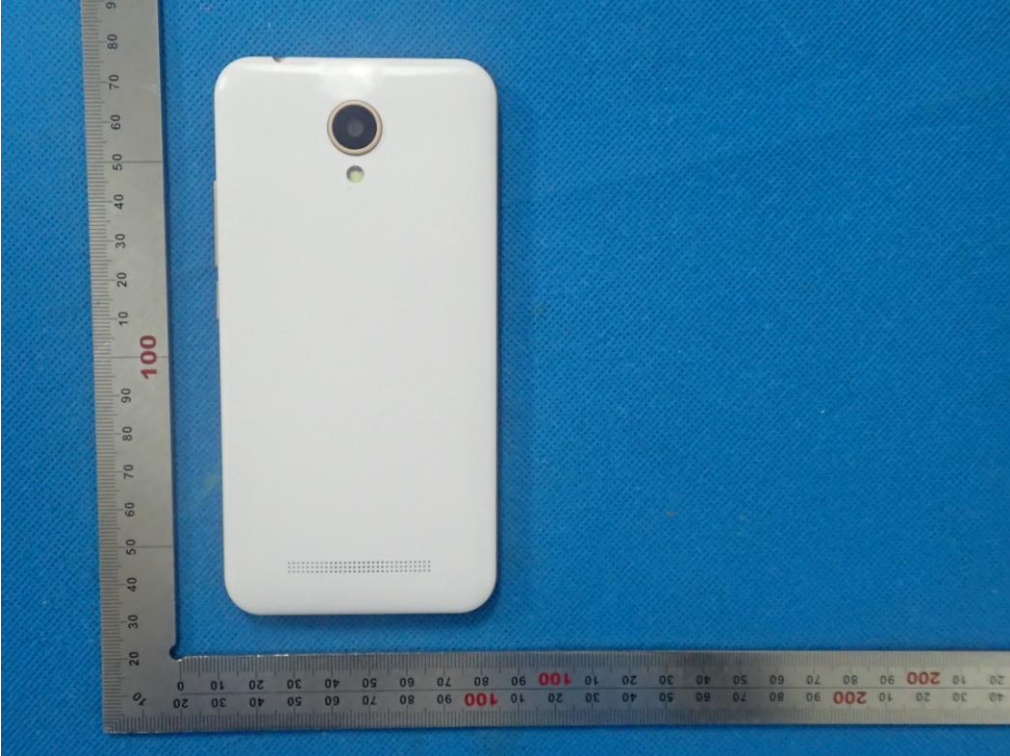
BOTTOM VIEW OF EUT



FRONT VIEW OF EUT



BACK VIEW OF EUT



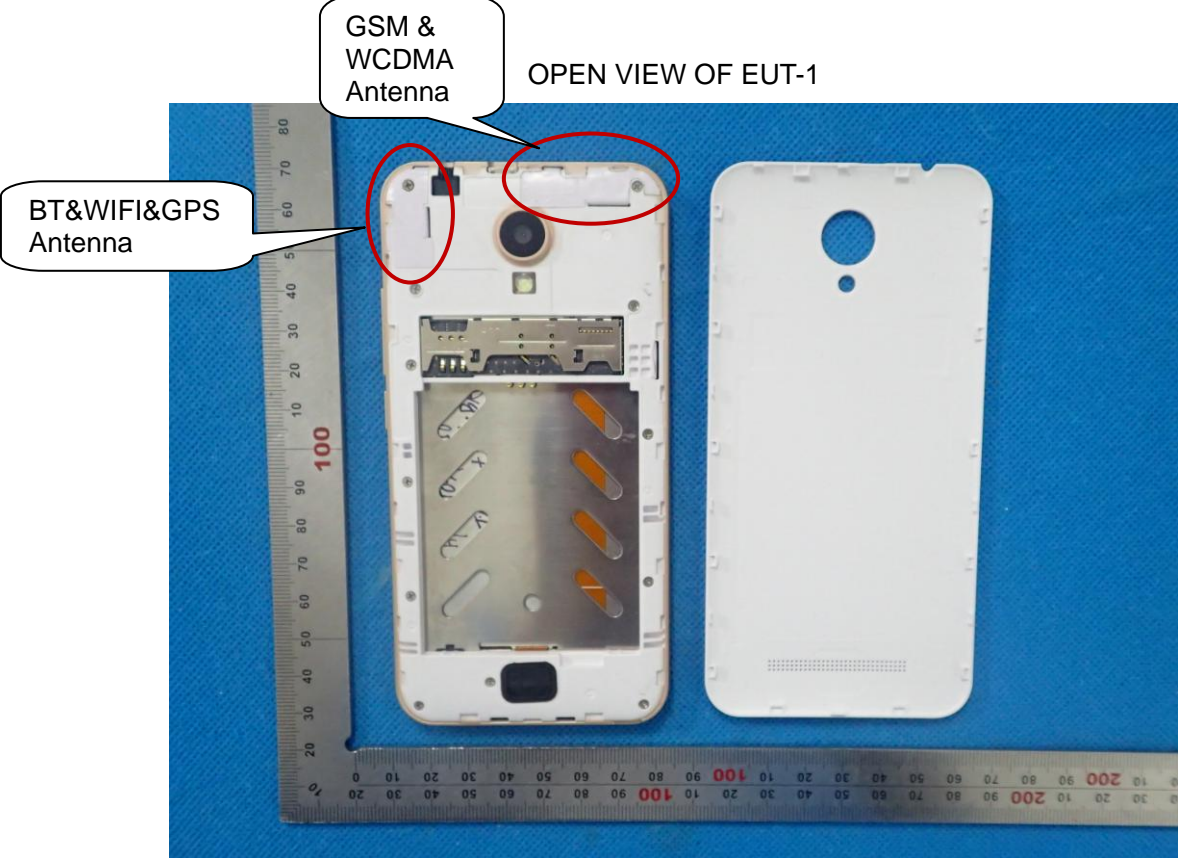
LEFT VIEW OF EUT



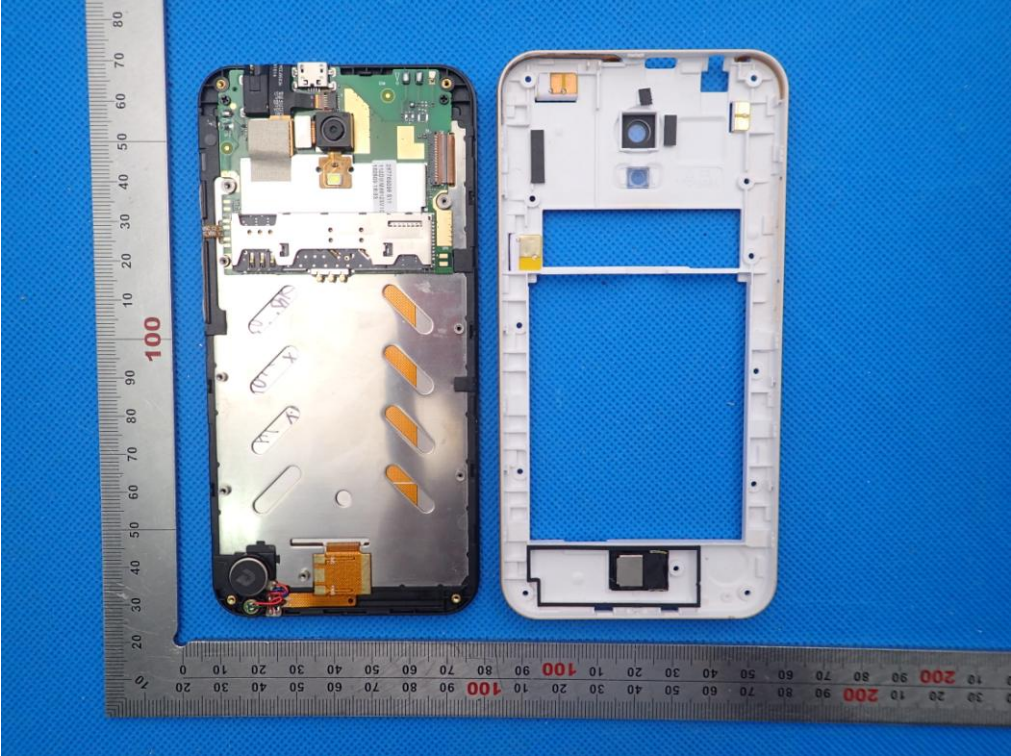
RIGHT VIEW OF EUT



OPEN VIEW OF EUT-1



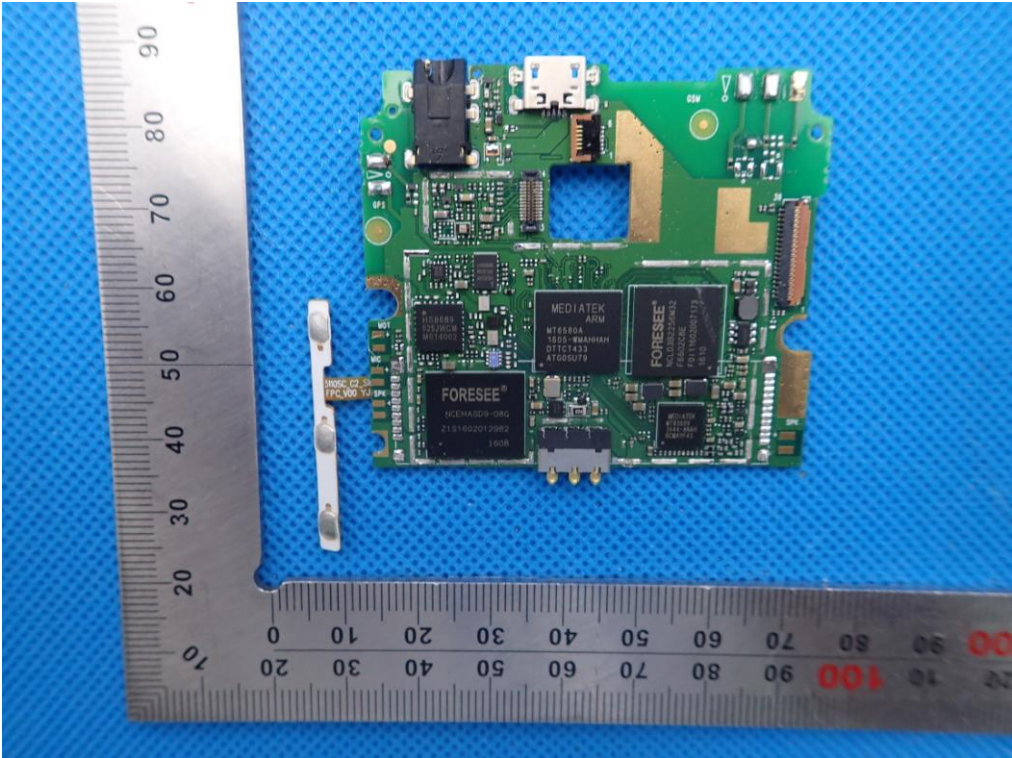
OPEN VIEW OF EUT-2



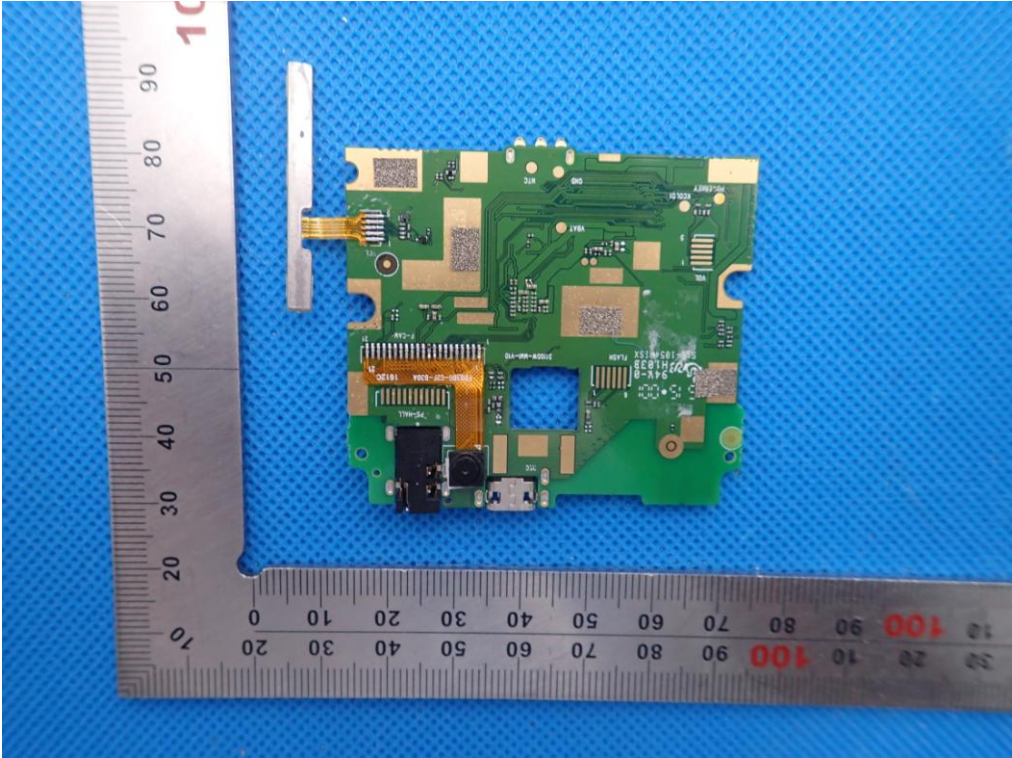
OPEN VIEW OF EUT-3



INTERNAL VIEW OF EUT-1



INTERNAL VIEW OF EUT-2



----END OF REPORT----