

DALI SOUND HUB COMPACT

MANUAL



IN ADMIRATION OF MUSIC

Contents

Introduction	2
1. SOUND HUB COMPACT Overview	3
2. Unpacking	6
3. Installation and Setup	7
3.1 Connecting Speakers	11
3.2 Connecting Sources	13
3.3 Finishing your SOUND HUB COMPACT installation	15
4. Using your SOUND HUB COMPACT	16
5. Maintaining your SOUND HUB COMPACT	17
6. Fault Indication	18
7. Technical specifications	19

Introduction

Thank you for choosing the DALI SOUND HUB COMPACT. DALI is renowned throughout the world for continually striving to enhance the experience of music while simultaneously designing audio products that better suit our lives and homes. The DALI SOUND HUB COMPACT wireless streaming preamplifier is the latest expression of those twin aspirations.

The DALI SOUND HUB COMPACT is a technologically advanced product that requires thoughtful installation. We recommend therefore that you read this manual carefully, and follow its advice, when installing your DALI SOUND HUB COMPACT.

Following this introduction the manual covers unpacking, installation, setup, connections and use, but begins with a short overview of the DALI SOUND HUB COMPACT.

1. SOUND HUB COMPACT Overview

The DALI SOUND HUB COMPACT is a control preamplifier and source selection hub for DALI wireless speaker systems such as the OBERON C, CALLISTO C and RUBICON C series. The DALI SOUND HUB COMPACT accepts both conventional wired audio sources and Bluetooth audio streams and broadcasts them wirelessly to connected active speakers. Source selection and volume control is provided by an infrared remote control.

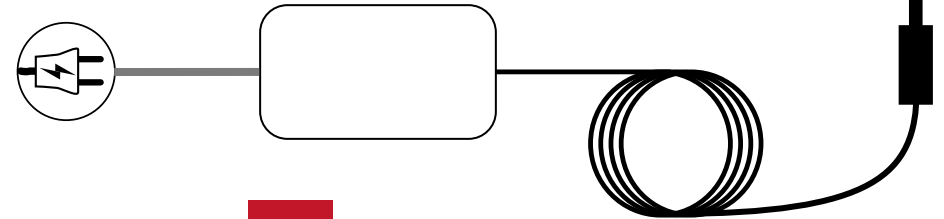
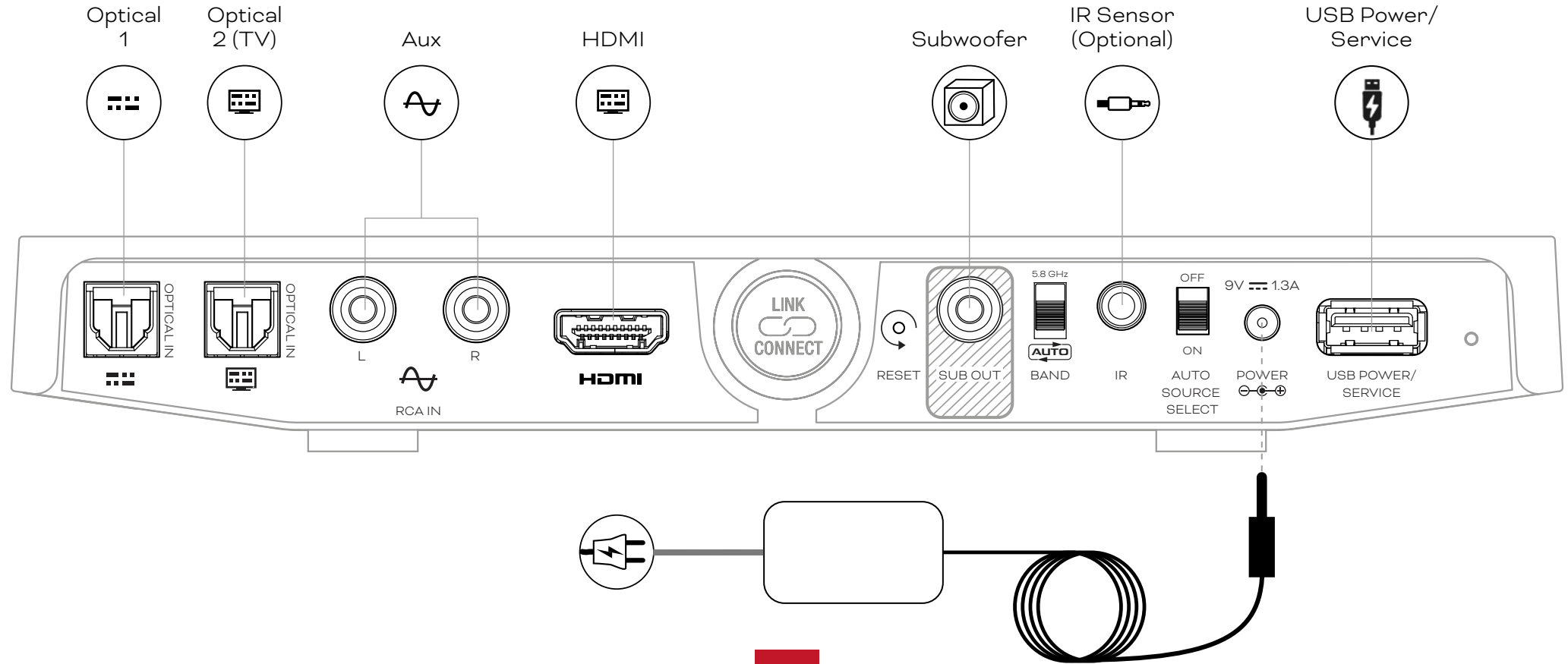
The SOUND HUB COMPACT incorporates four wired audio inputs and can also connect wirelessly to Bluetooth audio streaming devices. The wired inputs comprise a stereo analogue input on phono sockets, two TOSLINK optical digital inputs and an HDMI connection for audio from a TV via ARC (Audio Return Channel). The Bluetooth wireless input is compatible with the SBC, AAC, aptX and aptX HD audio streaming formats.

The SOUND HUB COMPACT incorporates top panel indicators that display volume level and source selection.



1. SOUND HUB COMPACT Overview

DIAGRAM 1

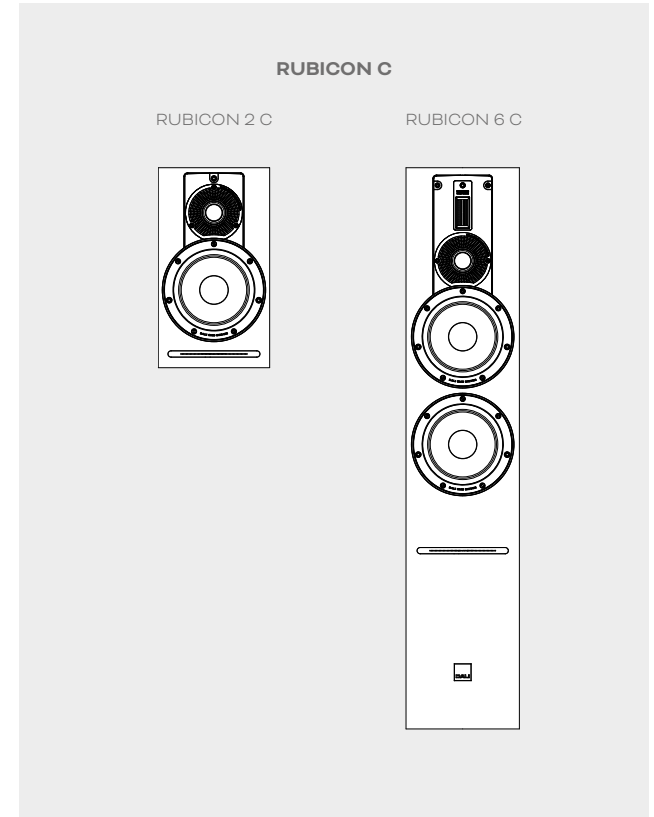
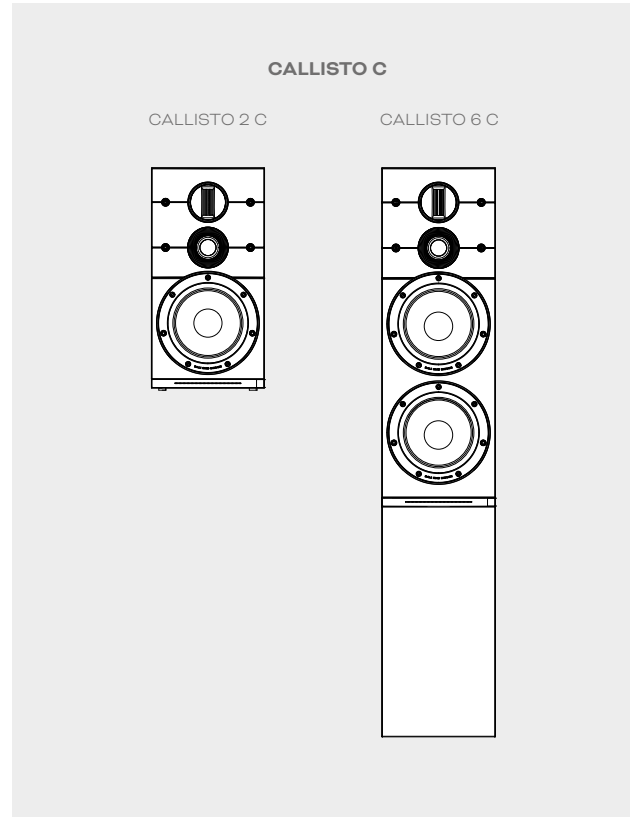
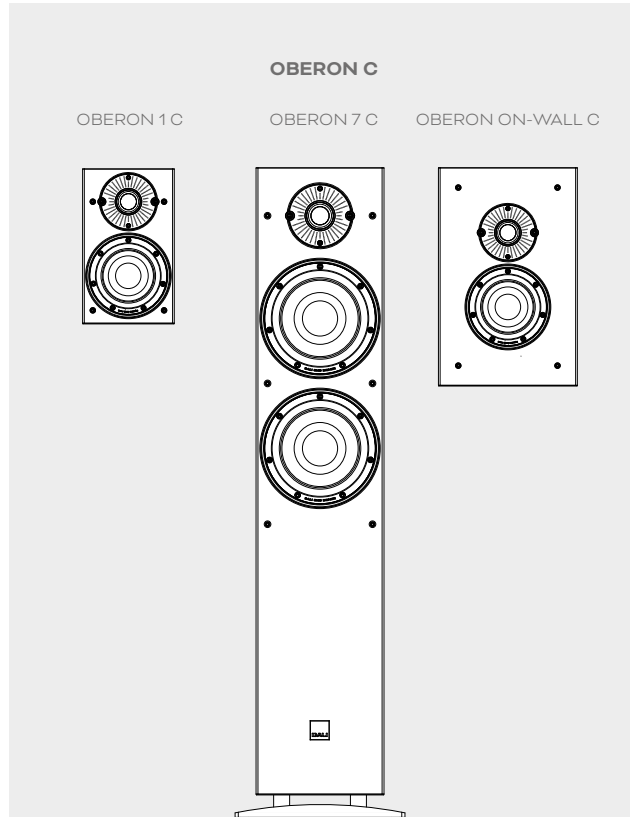


IN ADMIRATION OF MUSIC



1. SOUND HUB COMPACT Overview

The DALI SOUND HUB COMPACT can be used with the following compatible speakers:



2. Unpacking

The contents of the DALI SOUND HUB COMPACT pack is illustrated in Diagram 2 and listed below.

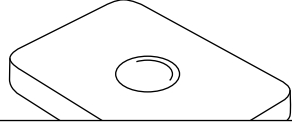
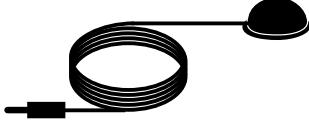
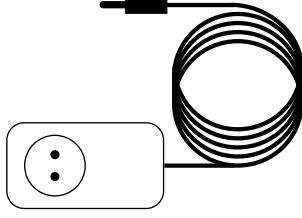
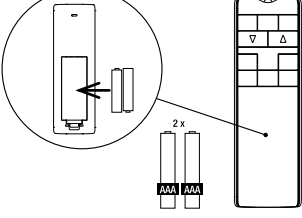
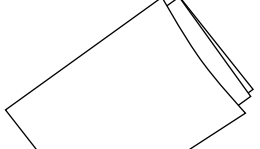
- 1: SOUND HUB COMPACT
- 2: IR (InfraRed) Control Signal Receiver
- 3: Power supply with international mains socket adaptors
- 4: IR remote control
- 5: Quick start Guide

Take care when unpacking your SOUND HUB COMPACT. A transparent protection film is applied over the top surface of the unit and the front panel. We recommend that the protection film is left in place until your SOUND HUB COMPACT is installed in its final location.

NOTE:

We suggest that you retain your SOUND HUB COMPACT packaging for future use. However, if that is not possible, please dispose of it responsibly.

DIAGRAM 2

DALI SOUND HUB COMPACT	
	x1
	x1
	x4
	x1
	x1

3. Installation and Setup

Your DALI SOUND HUB COMPACT can be located predominantly as is convenient for you and your home, although it should be within the same space as the speakers it is to be connected to. We recommend the SOUND HUB COMPACT is placed on a furniture unit or wall-mounted using its underside keyhole slots. However, the only constraints are accessibility to a mains power socket and to the signal cables for any wired audio sources that are to be connected.

If you wish to wall-mount your SOUND HUB COMPACT using its keyhole slots you should be sure of the suitability of the wall, and of your ability to securely insert a screw. If you are unsure, it is best to seek advice. The SOUND HUB COMPACT is best mounted in landscape orientation with its connection panel facing downwards.

SOUND HUB COMPACT wall hanging is illustrated in [Diagram 3](#). Use wall-mounting screws of 3 – 5 mm (0.12 – 0.20 inches) shank diameter and 10 mm (0.4 inches) maximum head diameter. Leave 8 – 12 mm (0.30 – 0.50 inches) screw length protruding from the wall surface.

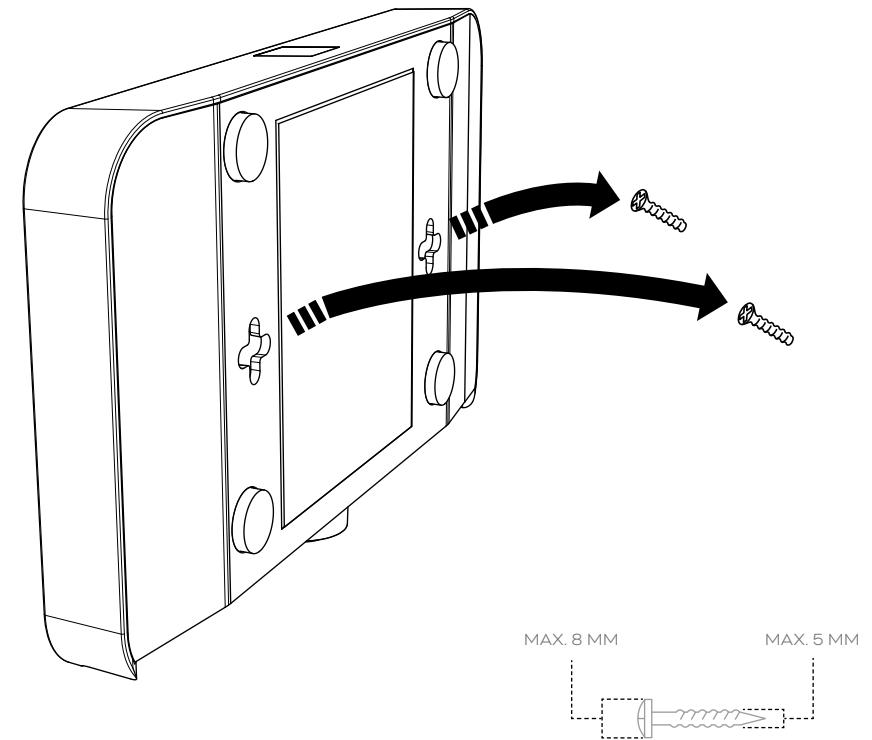
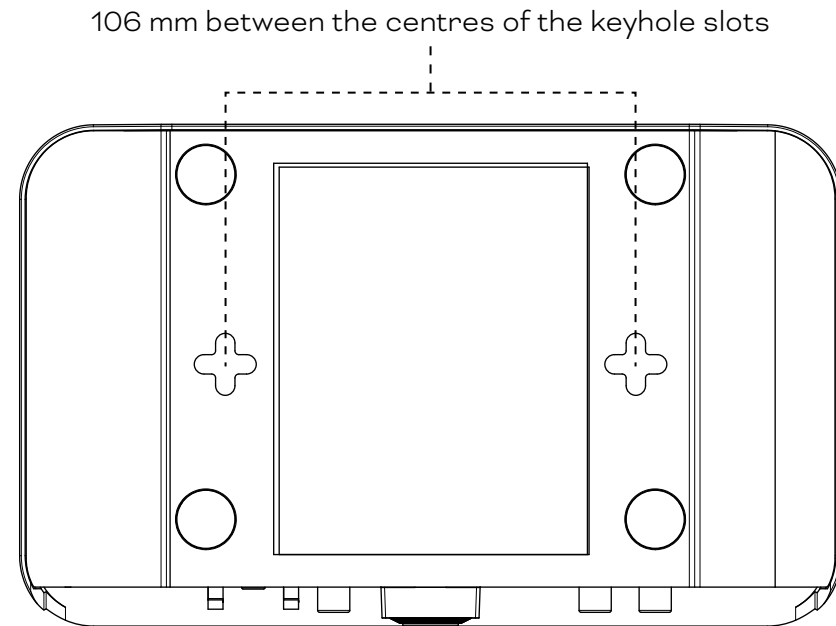
- Once the preferred SOUND HUB COMPACT location has been established, insert two mounting screws in the wall 106 mm (4.2 inches) apart on the SOUND HUB COMPACT horizontal centre line.
- Lift the SOUND HUB COMPACT up on to the screws so that their heads engage with the keyhole slots. This is best done after all the required cables are connected to the SOUND HUB COMPACT. See the following section for more on SOUND HUB COMPACT connections.

NOTE:

Your SOUND HUB COMPACT can be placed inside a closed cupboard or otherwise concealed from line of sight to its remote control. However, in these cases it will be necessary to connect the supplied IR Signal Receiver and position its head in an unconcealed location.

3. Installation and Setup

DIAGRAM 3



3. Installation and Setup

Follow the steps below to install your SOUND HUB COMPACT.

- Install batteries in the SOUND HUB COMPACT remote control. Diagram 4 illustrates battery installation.
- If required, plug the IR Control Signal Receiver into the IR socket on the SOUND HUB COMPACT rear panel as illustrated in Diagram 5 and position the Signal Receiver head in an unconcealed location. The Signal Receiver head can be secured in position using its self-adhesive backing.
- With the location of your SOUND HUB COMPACT selected, plug the power supply cable into the rear panel POWER socket illustrated in Diagram 5 and then plug the power supply into an appropriate mains power socket. Your SOUND HUB COMPACT will switch on immediately in standby mode with its rear panel power indicator illuminating red.

NOTE:

Depending on your location it may be necessary to fit one of the supplied mains socket adaptors to the power supply. The adaptor will simply click into position.

DIAGRAM 4

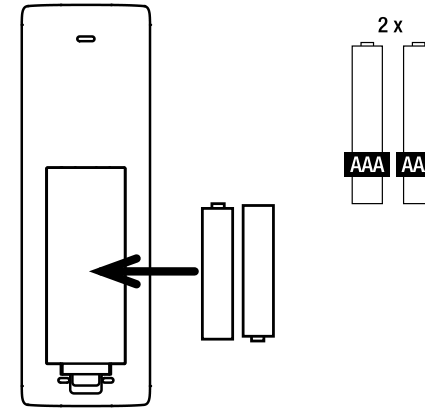
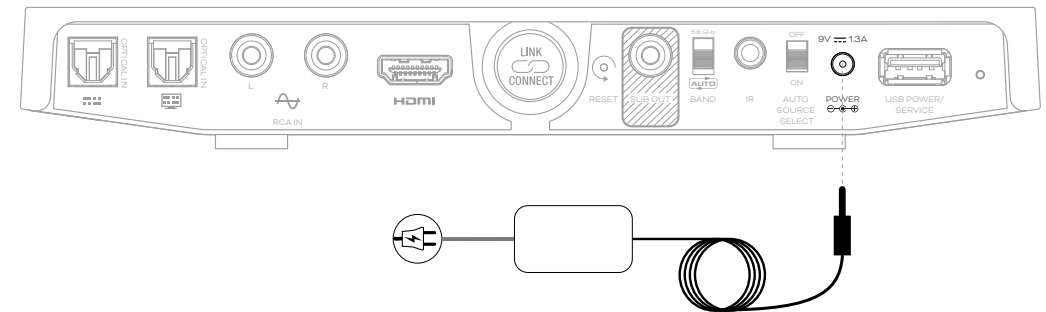


DIAGRAM 5



3. Installation and Setup

- To switch the SOUND HUB COMPACT from standby mode to operational mode, press the remote control Standby button, or any of the source select buttons. The LED indicators on the SOUND HUB COMPACT top panel will illuminate according to the volume level. When changing source a single LED will illuminate according to the chosen input. The top panel indicators are illustrated in Diagram 6.

NOTE:

If your SOUND HUB COMPACT has been previously used it may need to be reset. To reset your SOUND HUB COMPACT use an appropriate tool to press and hold the rear panel RESET pinhole button for 1 second. The location of the reset button is illustrated in Diagram 7.

DIAGRAM 6

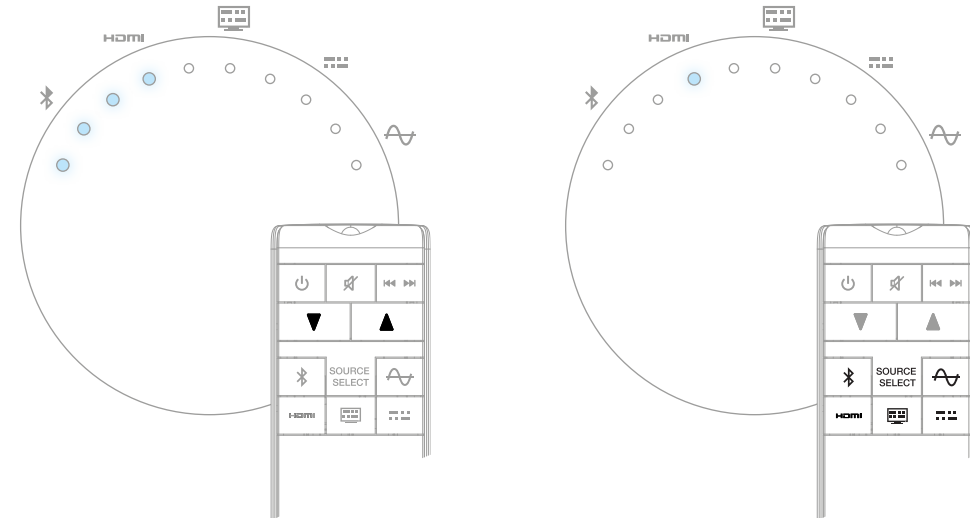
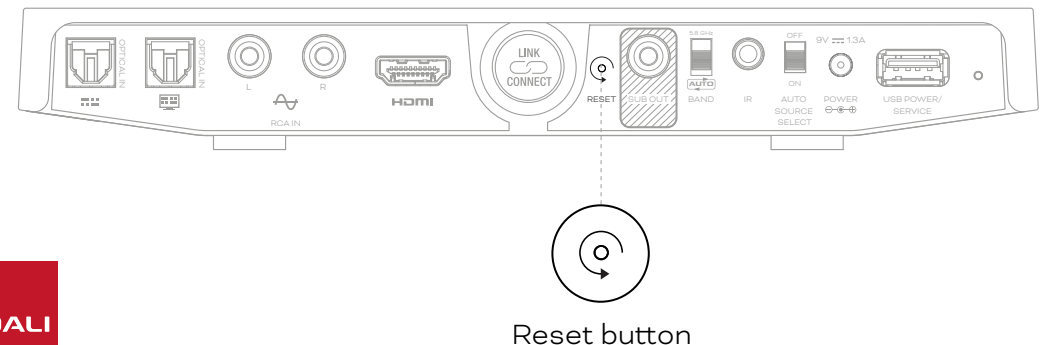


DIAGRAM 7



3.1 Connecting Speakers

NOTE:

If you are installing either OBERON C, CALLISTO C or RUBICON C speakers at the same time as you are installing your SOUND HUB COMPACT, we recommend that you have their user manual to hand.

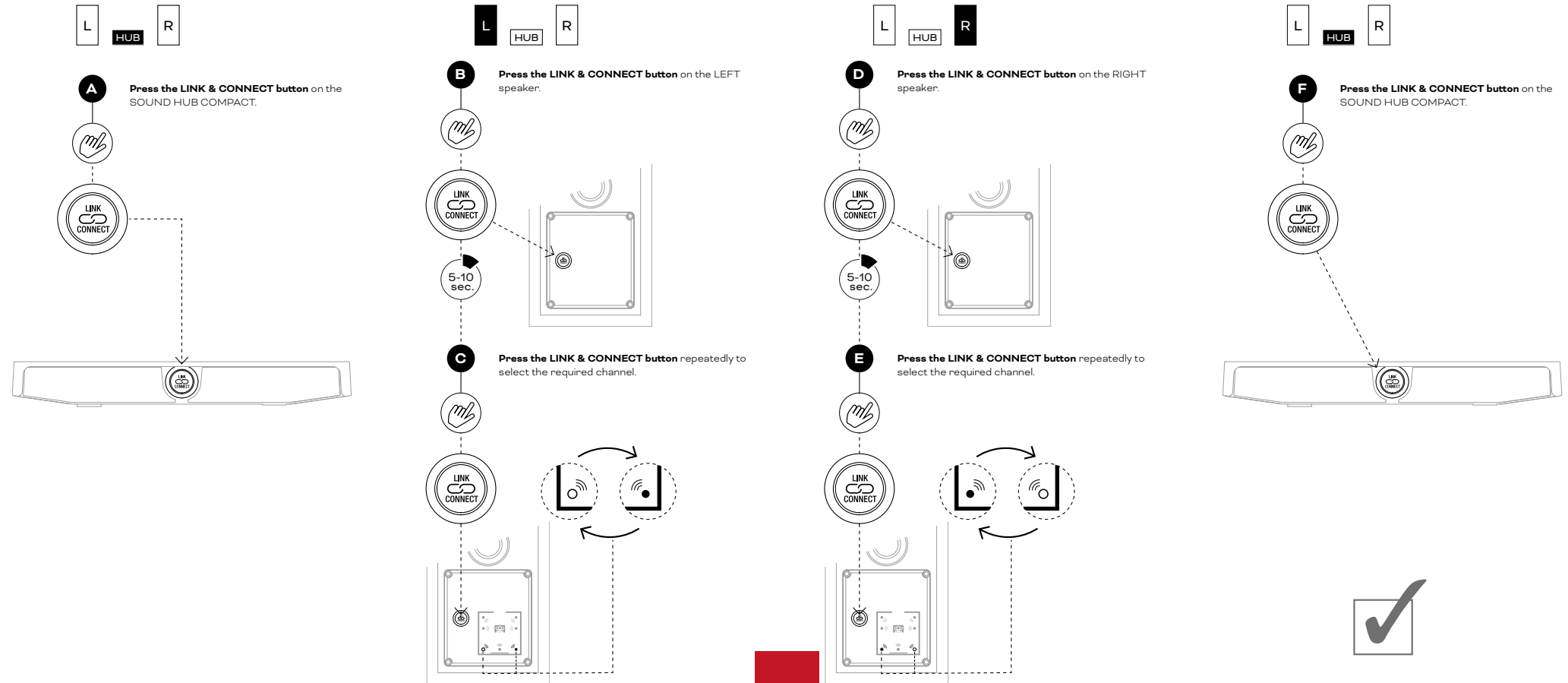
When you have positioned your SOUND HUB COMPACT and connected it to mains power, follow the steps below.

- Check that the speakers you wish to use are connected to mains power and switched on. Refer to the speaker user manual to identify their power switch if necessary.
- Press the LINK & CONNECT button on your SOUND HUB COMPACT **A**. The top panel input indicators will flash slowly to indicate speaker connection mode.
- Go to one of the speakers and press its rear panel LINK & CONNECT button **B**. The speaker channel matrix indicators will illuminate cyclically while connection to the SOUND HUB COMPACT is underway.
- When connection is established, the cyclic illumination will stop, leaving just the left and right channel matrix indicators flashing slowly. The speaker will play a short confirmation tone.
- With the speaker connected to the SOUND HUB or SOUND HUB COMPACT, it can be assigned to either the left or right channel. The channel matrix display on the speaker rear panel incorporates indicators at each channel position. Pressing the speaker LINK & CONNECT button changes the channel specified for the speaker **C**. If the first speaker is to be assigned to the left channel, the LINK & CONNECT button will only need to be pressed once because the left channel is the default.
- If the first speaker is to be assigned to the right channel, press the LINK & CONNECT button twice to select the right channel.
- With the first speaker connected to the SOUND HUB COMPACT and its channel specified, repeat the process for the second speaker **D E**.
- When both speakers in the system are connected and their channels specified, return to your SOUND HUB COMPACT and press its LINK & CONNECT button to complete the speaker connection process **F**. Both speakers will play a short confirmation tone and the SOUND HUB COMPACT top panel indicators will stop flashing.

The SOUND HUB COMPACT connection procedure is illustrated in [Diagram 8](#).

3.1 Connecting Speakers

DIAGRAM 8



IN ADMIRATION OF MUSIC



3.2 Connecting Sources

With speakers connected to your SOUND HUB COMPACT you can connect wired and wireless audio sources.

- If you wish to stream audio to your SOUND HUB COMPACT and speakers from a Bluetooth device such as a mobile phone, tablet or laptop, the device and the SOUND HUB COMPACT must be paired. To initiate Bluetooth pairing, press the SOUND HUB COMPACT remote control Bluetooth button. The SOUND HUB COMPACT top panel Bluetooth indicator will flash slowly to indicate pairing mode.
- Now go to the mobile device you wish to connect, open its Bluetooth settings menu and look for “DALI SHC” in list of available devices. Select “DALI SHC” to complete pairing. The SOUND HUB COMPACT top panel Bluetooth indicator will stop flashing and the speakers will play a short confirmation tone.

NOTE:

Your SOUND HUB COMPACT can be paired with up to eight Bluetooth devices simultaneously. When the pairing limit is reached, any new paired device will delete the oldest paired device.

- If you wish to stream conventional wired audio sources to your speakers via your SOUND HUB COMPACT, connect them to the sockets on the SOUND HUB COMPACT rear panel. The source connection sockets are illustrated in [Diagram 1](#).

NOTE:

Bluetooth pairing is only possible when the Bluetooth input is selected and no Bluetooth connection is established. After pairing a device with the SOUND HUB COMPACT, you can connect it via Bluetooth independently of the source selection. You can also wake up the system from standby with Bluetooth if no other Bluetooth device is connected.

We suggest that the connection sockets are used for the following audio source types:

OPTICAL IN (1): CD player or other audio device equipped with an optical digital output.

OPTICAL IN (2): TV equipped with an optical digital audio output. If the TV is equipped with an HDMI (ARC) connection use this in preference to the optical output.

RCA IN (Left & Right): CD player or other device equipped with an analogue audio output.

HDMI: TV equipped with an HDMI (ARC) connector Audio Return Channel.

If you connect a TV to your SOUND HUB COMPACT using the HDMI input, your TV MUST have an HDMI ARC connection. You may also need to select external speakers and enable CEC in the TV settings menu. The TV audio output format should be set to PCM or Stereo. Using HDMI and CEC will enable the TV remote to control Volume, Mute and power of the DALI audio system.

3.2 Connecting Sources

NOTE:

If your TV does not support HDMI ARC, we recommend using simultaneous OPTICAL and HDMI connections between the TV and SOUND HUB COMPACT, with CEC enabled on the TV. This will allow the TV remote to control the DALI audio system.

NOTE:

TV manufacturers use a variety of different terms for CEC:

Samsung: Anynet+

LG: SimpLink

Sony: Bravia Link

Phillips: EasyLink

Panasonic: VieraLink

Hitachi: HDMI-CEC

NOTE:

Always use good quality audio cables to connect source devices to your SOUND HUB COMPACT. Your DALI retailer will be happy to offer advice if required.

NOTE:

The USB-A socket fitted to the SOUND HUB COMPACT rear panel can be used to power audio streaming devices or charge mobile devices but is otherwise fitted only for service and firmware update purposes. It cannot be used as an audio input.

- If an active subwoofer is to be used with your audio system connect it to the SOUND HUB COMPACT rear panel SUB OUT socket using an RCA phono cable. Follow the guidelines in the subwoofer user manual regarding its setup and operation.

3.3 Finishing your SOUND HUB COMPACT installation

With your SOUND HUB COMPACT and speakers connected you are almost ready to enjoy your new audio system. However, there are some further configuration options that you may need to adjust using the switches on the SOUND HUB COMPACT rear panel. The switches are illustrated in [Diagram 1](#) and described here.


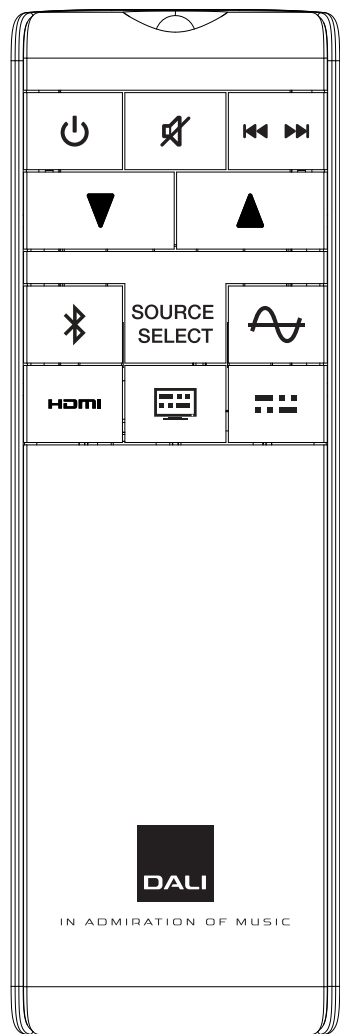
- **BAND:** The BAND switch changes the radio frequencies over which the SOUND HUB COMPACT broadcasts to its connected speakers. The default setting for the BAND switch is AUTO, and this should be selected for speaker models that display the AUTO logo . However, some DALI speaker models require the 5.8 GHz band. If your DALI speakers do not display the AUTO logo, set the BAND switch on the SOUND HUB COMPACT to “5.8 GHz”.
- **AUTO SOURCE SELECT:** With ON selected, when a connected audio source becomes active your SOUND HUB COMPACT will automatically switch from standby mode to operational mode and play the source.



DIAGRAM 9



4. Using your SOUND HUB COMPACT

With your SOUND HUB COMPACT installation complete and speakers connected you can begin to enjoy its performance. The SOUND HUB COMPACT top panel indicators and icons display source selection and volume. The SOUND HUB COMPACT is controlled exclusively from its remote control. Diagram 9 illustrates the remote control buttons.

- To switch on your SOUND HUB COMPACT from standby mode, press the remote control Standby button (⏻), or any of the source select buttons.
- To adjust speaker volume, press and hold the remote control up (▲) or down (▼) buttons. To mute or un-mute audio, press the remote control MUTE (🔇) button.
- To select an audio source, press one of the remote control Source buttons.
- To skip one track forward, press ⏩. To skip one track back, long-press or double-press ⏪.
- To disconnect a Bluetooth source, long-press 📶.

NOTE:

If the SOUND HUB COMPACT rear panel Auto Source Select switch is set to ON, the SOUND HUB COMPACT will both switch on from standby mode as soon as an input source becomes active, and switch to a new source if the selected source is not playing.

NOTE:

If the SOUND HUB COMPACT is left in operational mode with no source playing for more than 20 minutes it will automatically switch to standby mode.

NOTE:

If you have more than one SOUND HUB COMPACT, you can easily change the Bluetooth name of the SOUND HUB COMPACT. To do so, press and hold the LINK & CONNECT button. The Bluetooth indicator will illuminate after 3 seconds. While you keep holding the LINK & CONNECT button pressed, you can now select one of ten indicator positions with the volume up (▲) / volume down (▼) buttons on the remote control. Each indicator position will correspond to a Bluetooth name (1 to 10). Once the LED position has been chosen, release the LINK & CONNECT button.

5. Maintaining your SOUND HUB COMPACT

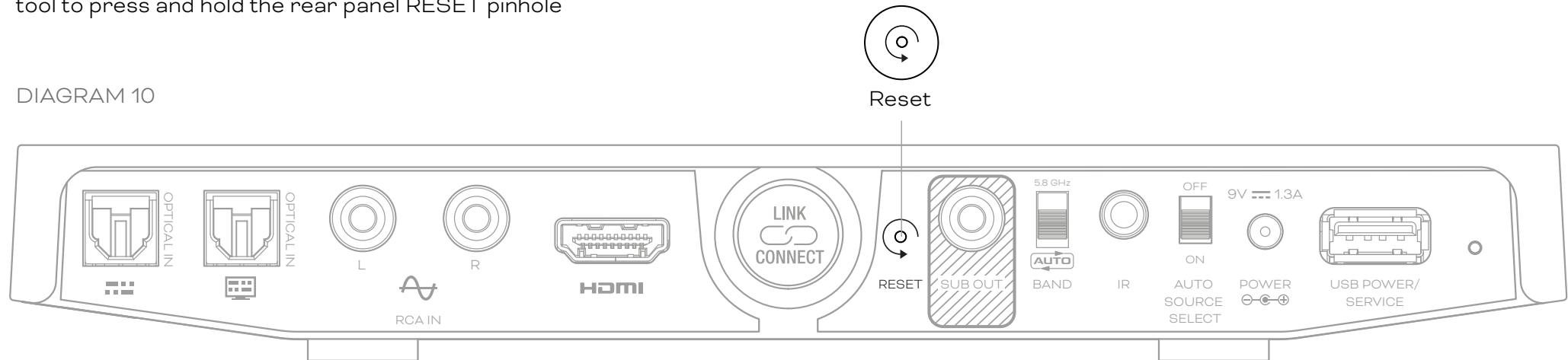
Your SOUND HUB COMPACT should not require any special treatment beyond the kind of care that you would give other high value items in your home. Use a soft dry cloth to dust off the case. We do not recommend the use of any cleaning fluids or sprays, but if you wish to use furniture polish, apply it to a cloth rather than directly to the case.

If at any time you need to connect your SOUND HUB COMPACT to different speakers or to erase its Bluetooth pairing memory, it will require resetting to its defaults. To reset your SOUND HUB COMPACT use an appropriate tool to press and hold the rear panel RESET pinhole

button for 1 second. The location of the reset button is illustrated in Diagram 10 below.

DALI may occasionally release updated firmware for your SOUND HUB COMPACT. Updated firmware may improve performance and reliability or introduce new features. Firmware updates will be made available for download from the DALI website and will be accompanied by full instructions on the update process via the USB POWER/SERVICE port on the rear panel of the SOUND HUB COMPACT.

DIAGRAM 10

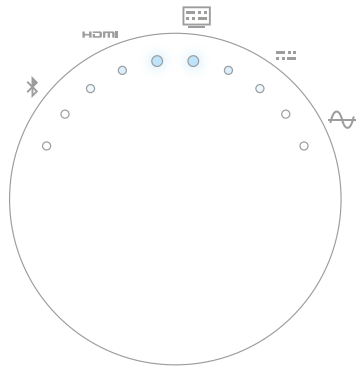


6. Fault Indication

In the unlikely event of your SOUND HUB COMPACT failing to operate correctly, the fault indications and fixes described here may provide a solution. Further help is always available from DALI, your local retailer, or via the support pages of the DALI website.

Wireless audio link error

The SOUND HUB COMPACT indicates a link error by displaying a two-way travelling animation.



Fix:

First check that the speakers are switched on. If this doesn't fix the problem, switch the SOUND HUB COMPACT off and on. If the problem persists, reset the system components (SOUND HUB COMPACT and speakers) as described in the respective manuals and re-connect the speakers as described in [Section 3.1](#) of this manual.

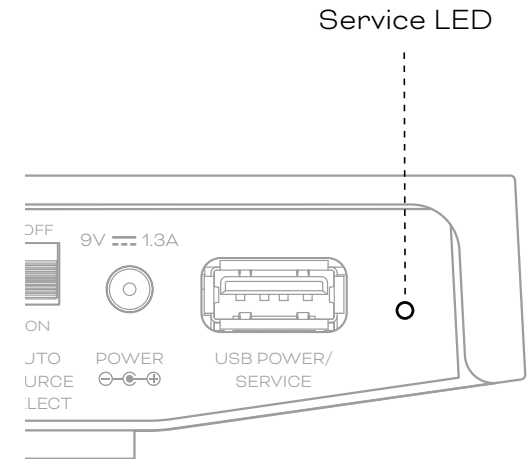
General hardware failure

The rear panel service indicator alternates between red and amber.



Fix:

Switch the SOUND HUB COMPACT off and on again. If the problem persists contact DALI or your local retailer or distributor for service advice.



7. Technical specifications

SOUND HUB COMPACT	
Wired inputs	2 × Optical (TOSLINK™) 1 × Analogue Stereo (RCA) 1 × HDMI (ARC)
Input impedance RCA (Ohm)	7,2 k
Max input (RCA)	3.0 Vp
Maximum Optical Digital Input Resolution (Bits/kHz)	24 / 192
Wired outputs	1 × SUB OUT (RCA with detection)
SUB output max voltage (V)	1.7 V RMS
Wireless inputs	BT 5.0, AAC, aptX, aptX HD
Wireless output	Full 24 Bit / 96 kHz (Not compressed)
Wireless Audio RF Band (MHz)	5150-5250 MHz and 5725-5875 MHz*
Other connections	1 × IR Sensor input / 1 × USB-A power output (5 V/1.5 A) / Service
Power input	9V DC
Maximum power consumption (W)	2.8 W
Standby power consumption (W)	1.7 W
Networked standby power consumption (W)	1.7 W
Time to enter networked standby	< 20 minutes
Dimensions (H × W × D) mm	30 × 212 × 132 mm (1.2 × 8.4 × 5.2 in)
Included accessories	Quick start guide, IR remote control, 9V DC power supply (universal 100-240 VAC), IR sensor
Weight (kg/lb)	0.5 kg
Accessories	Rubber feet, manual, power supply unit, remote control, IR receiver

* Excluding Japan



IN ADMIRATION OF MUSIC

