

MERKURY
INNOVATIONS



COSMOS

WIRELESS

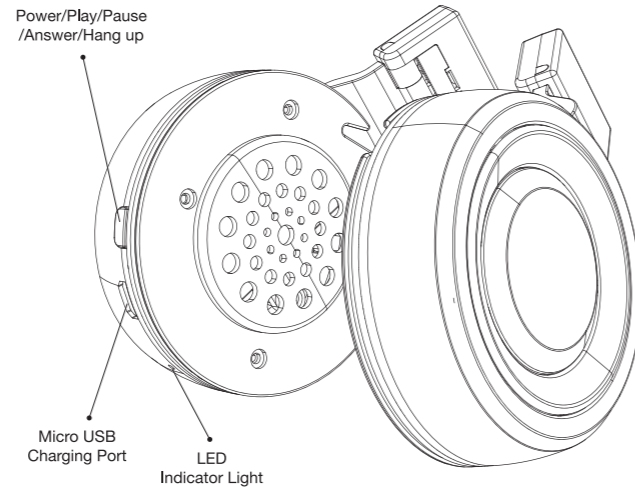


Included:
Bluetooth® Headphones
Charging Cable
User Manual

**User Manual for
MI-BTH16**

IMPORTANT: PLEASE READ BEFORE USING THIS PRODUCT

Ports and Features



POWER ON & OFF/RECONNECT TO BLUETOOTH

- You only need to pair your Bluetooth device with the headphones once.
- With your previously paired device's Bluetooth turned on and in range, press & hold the (⏻) button on the headphones for 3 seconds. The headphones will power on, a blue LED light will flash, and will automatically reconnect to the last Bluetooth device they were connected to.
- To turn the headphones off, press & hold the (⏻) button again for about 4 seconds. The LED light will flash, and the headphones will emit a tone to indicate that the headphones are now powering off.
- If you have a previously paired device that does not auto-reconnect, navigate to the Bluetooth settings menu on your device, turn on the Bluetooth feature, and select

CHARGE IT

- Plug the micro USB cable into the micro USB port at the bottom of the left headphone. Connect the other end of the cable to either a computer USB port or to a USB-compatible car or wall charger.
- A solid red LED light will appear to indicate when the headphones are charging, even while headphones are turned off.
- When charging is complete, the LED light will turn off.
- Charging time is approximately 1 hour.

PAIR & CONNECT WITH A NEW DEVICE

- With the headphones powered off, press & hold the (⏻) button on the headphones for 3 seconds to turn on the headphones.
- The LED light will quickly flash blue and red. Your headphones are now ready to be paired.
- On your Bluetooth-enabled smartphone, tablet or media player, navigate to the Bluetooth settings menu, turn on the Bluetooth feature, and search for new devices.
- After a few seconds you will see "MERKURY BTH16" listed.
- Tap this model to select it. The LED will begin to slowly blink blue, and the headphones will emit a tone to indicate that they have been successfully paired with your device.

NOTE: If your device asks for a password to connect to the headphones, enter "0000."

PLAY

- Connect your device to the headphones via Bluetooth (see "Pair & Connect with a New Device").
- Open your favorite music app and press play.
- Control the music tracks & volume from your device.
- Press the (▶||) button once to play/pause music & answer calls.

NOTE: All audio, including music, games, videos, and notifications will be routed through the headphones.

TROUBLESHOOTING

No power	Recharge your headphones using the included Micro USB charging cable.
Music is not playing over Bluetooth	Make sure your Bluetooth® device has A2DP profile. Check if both devices are paired and connected over Bluetooth®. Restart the headphones to reconnect your Bluetooth® device.
Bluetooth® device will not reconnect with headphones	Navigate to your Bluetooth® settings menu on your Bluetooth® device, tap "Mercury-BTH16," and select "Forget." Repeat the steps to pair your device.

Specifications:

Bluetooth® Version: 4.2
Frequency Range: 20Hz - 20KHz
Voltage: 3.7V

Battery Playback: Approx. 4 hrs*
Battery Standby: Approx. 50 hrs
Charging Time: Approx. 2.5 hrs
*Depends on individual use.

Technical Support:

Please do not attempt to fix the product by yourself. If you are experiencing any problems with the product, please do not return it to the store you bought it from. You can contact our technical support representatives and they will assist you with any questions you might have. For assistance operating your product, please consult the User's Manual first, then feel free to contact Mercury Innovations technical support:

Mercury Innovations
45 Broadway 3rd Fl. New York, NY 10006
www.merkuryinnovations.com
E-mail: support@merkuryinnovations.com

© 2018 Mercury Innovations LLC

To explore our full selection of products, visit us at: www.merkuryinnovations.com
The Bluetooth word mark and logo are registered trademarks owned by Bluetooth SIG, Inc. The illustrated product and specifications may differ slightly from those supplied. All other trademarks and trade names are those of their respective owners.

Made in China

NOTE: This equipment has been tested and found to comply with the limits for a Class B digital device, pursuant to part 15 of the FCC Rules. These limits are designed to provide reasonable protection against harmful interference in a residential installation. This equipment generates uses and can radiate radio frequency energy and, if not installed and used in accordance with the instructions, may cause harmful interference to radio communications. However, there is no guarantee that interference will not occur in a particular installation. If this equipment does cause harmful interference to radio or television reception, which can be determined by turning the equipment off and on, the user is encouraged to try to correct the interference by one or more of the following measures:

- Reorient or relocate the receiving antenna.
- Increase the separation between the equipment and receiver.
- Connect the equipment into an outlet on a circuit different from that to which the receiver is connected.
- Consult the dealer or an experienced radio/TV technician for help

Changes or modifications not expressly approved by the party responsible for compliance could void the user's authority to operate the equipment.

This device complies with Part 15 of the FCC Rules. Operation is subject to the following two conditions:

- (1) this device may not cause harmful interference, and
- (2) this device must accept any interference received, including interference that may cause undesired operation.