

User's Guide for Wire-Free Battery Camera

Product Features

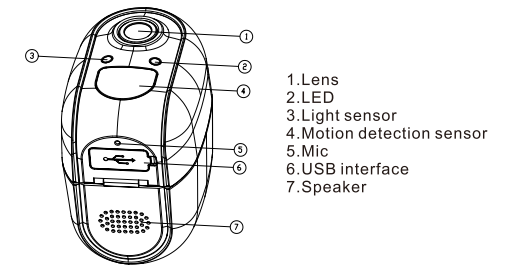
- 4 xAA specification batteries work regularly for 4-6 months
- FHD Megapixels collocated with wide-angle lens
- Support mobile phone remote fast wakeup within 3 second
- 2.4G Wi-Fi connection
- Support PIR motion detection, when someone hovers at the door, it will send push alerts to your mobile phone immediately
- With IR-cut, it can switch automatically and it is clearly visible at both day and night to keep your home and family safe.
- Support to power by USB port.

Product Specification Sheet

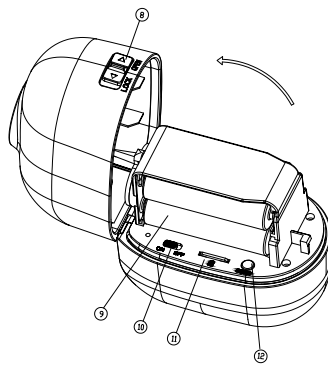
Lens	FOV/120°C Wide-angle lens (4Glass)
Infrared LEDs	9pcs Infrared LEDs with 6 meters flash distance
PIR Motion Sensor	6 meters PIR distance
Storage	Up to 32GB Micro SD card
Connectivity	802.11b/g/n Wi-Fi@2.4G
Power consumption	Standby 200 uA Working 220 mA
Battery	4xAA specification batteries
USB	DC5V
Wi-Fi distance	60 meters (open space without obstacle) 15 meters (indoor)
Video Compression	H.264
Voice Intercom	Two-way audio with noise cancellation
Video resolution	1920*1080@15fps

Notifications	Push Notifications within 2 second
Device Wakeup	Within 3S
Working Temperature	-20°~ 60° C
Storage Temperature	-40°~ 70° C

1. Product Design



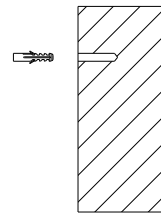
Picture 1



Picture 2

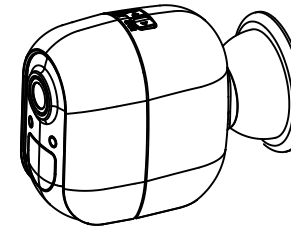
- 8. Flip Switch
- 9. AA Battery
- 10. Power Switch
- 11. Micro-SD card
- 12. Reset button

Step 1: Install anchors (on stucco, brick or concrete) On stucco, brick or concrete, use the bit to drill one holes in your wall, and install the anchors. install the base bracket on the wall



Step 2: Please put the flip switch to "open" position and open the cover, then install four pcs AA battery in it. (Please notice the polarity of the battery) Next put the power switch to "ON" position, press the RESET button for 5 seconds. When red and blue lights flash slowly, the device is connected to the network. Refer to picture 2.

Step 3: Align the device to the base bracket and hold it, then adjust the appropriate angle, the installation is finished



1. USB interface is only used as power supply
2. The mobile phone connects to the wifi of the home router, and the mobile APP can generate a QR code that made of router wifi name and password. The product recognizes the QR code through the lens on the product, and the product is automatically connected to the router and server after identification. At this time, the APP also finds the product through the server, and the APP can control the operation of the product through the network.

If the product is under no WiFi signal status, when have the motion detection signal it can still trigger the product to record, and the video file can be viewed through the APP when the WiFi is restored.

Company: Sakar International
 Address: 195 Carter Drive Edison, New Jersey 08817, USA
 Tel: +1 8482031876
 Email: Ralph Sasson <rsasson@sakar.com>
 web: sakar.com

This equipment has been tested and found to comply with the limits for a Class B digital device, pursuant to part 15 of the FCC Rules. These limits are designed to provide reasonable protection against harmful interference in a residential installation. This equipment generates, uses and can radiate radio frequency energy and, if not installed and used in accordance with the instructions, may cause harmful interference to radio communications. However, there is no guarantee that interference will not occur in a particular installation. If this equipment does cause harmful interference to radio or television reception, which can be determined by turning the equipment off and on, the user is encouraged to try to correct the interference by one or more of the following measures:

- Reorient or relocate the receiving antenna.
- Increase the separation between the equipment and receiver.
- Connect the equipment into an outlet on a circuit different from that to which the receiver is connected.
- Consult the dealer or an experienced radio/TV technician for help.

Caution: Any changes or modifications to this device not explicitly approved by manufacturer could void your authority to operate this equipment.

This device complies with part 15 of the FCC Rules. Operation is subject to the following two conditions: (1) This device may not cause harmful interference, and (2) this device must accept any interference received, including interference that may cause undesired operation.

This equipment complies with FCC radiation exposure limits set forth for an uncontrolled environment.

This equipment should be installed and operated with minimum distance 20cm between the radiator & your body.