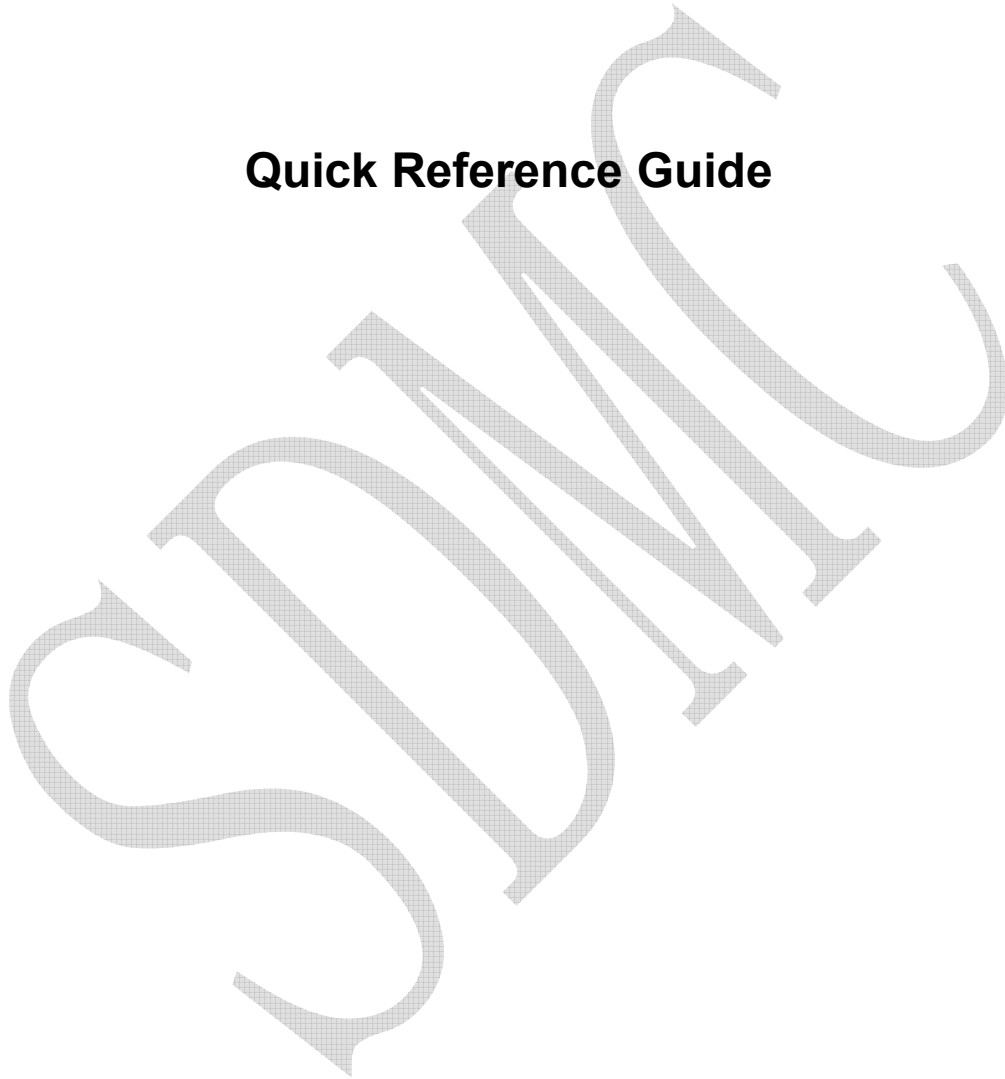


Smart TV Box

Quick Reference Guide



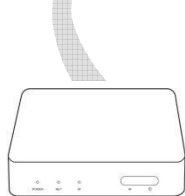
Please do read user manual before you operate the TV box.

Safety instruction

- ❖ Please keep the product in horizontal position. Do not put any heavy stuff on the top of the TV box.
- ❖ Please use the provided power adapter. Do not use the damaged power cable and plug.
- ❖ Please avoid to plug power adapter with wet hands.
- ❖ Please do not disassemble, modify machine by yourself to avoid any shock and damage to the TV box.
- ❖ Please keep the machine away from the heat source to avoid to damage the machine; The TV box, it should be put in a well ventilation place.
- ❖ Please keep the TV box away from damp and dusty environment to avoid fire and electric shock.
- ❖ Please prompt shut down and unplug power adapter when the machine emitting smoke or having special smell.
- ❖ Please unplug the power adapter when long time not using the TV box.

Accessory List

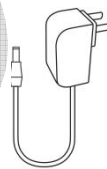
Open the gift box to check below accessories:



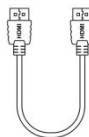
DV7905 x1



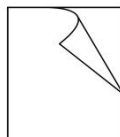
Remote Control x1



Power Adapter x1



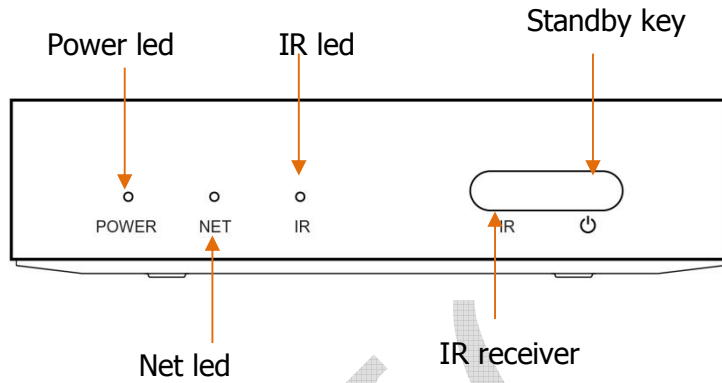
HDMI Cable x1



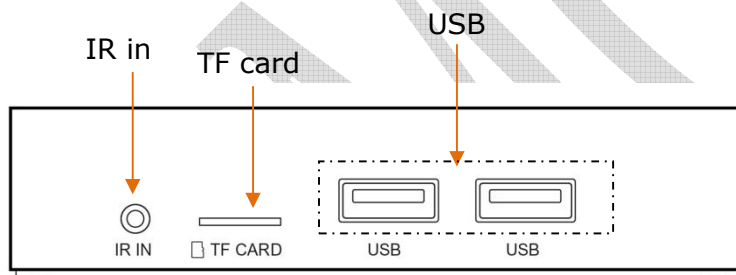
User manual x1

Hardware

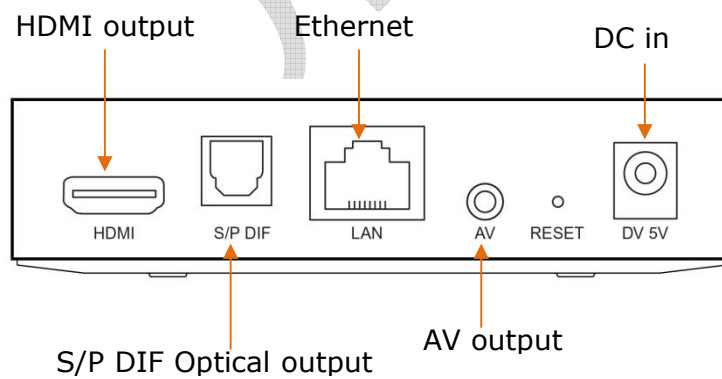
- **Front Panel**



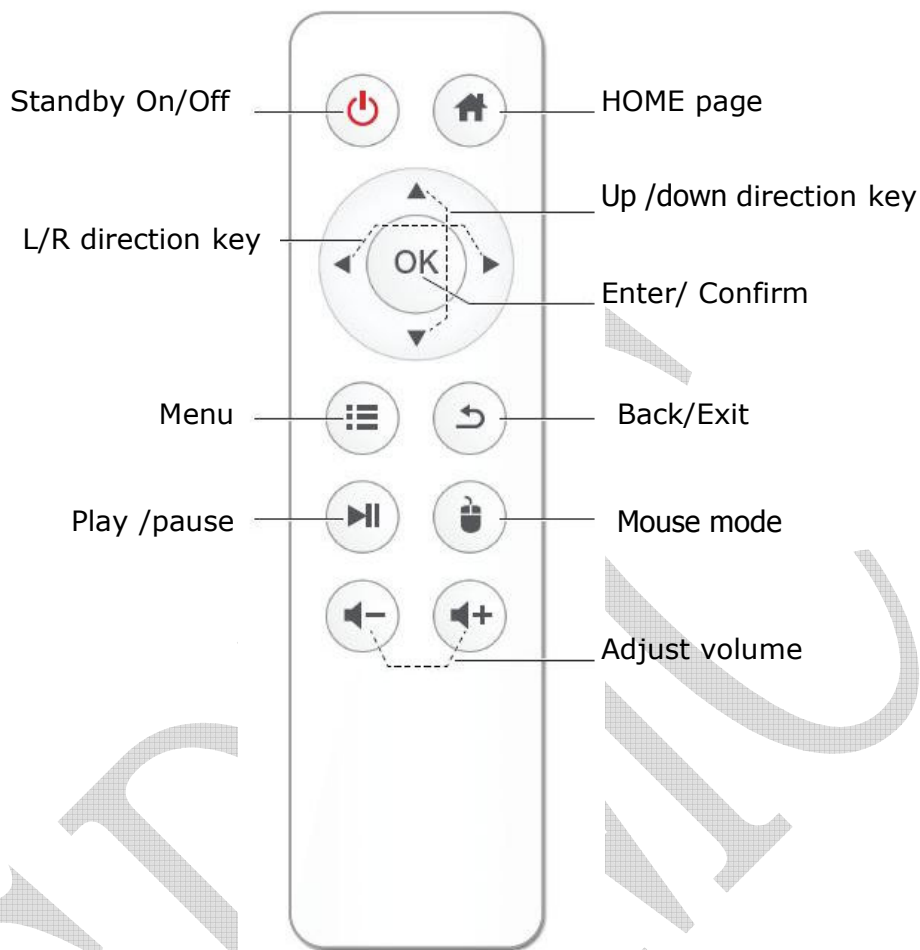
- **Side Panel**



- **Rear Panel**



Remote Control

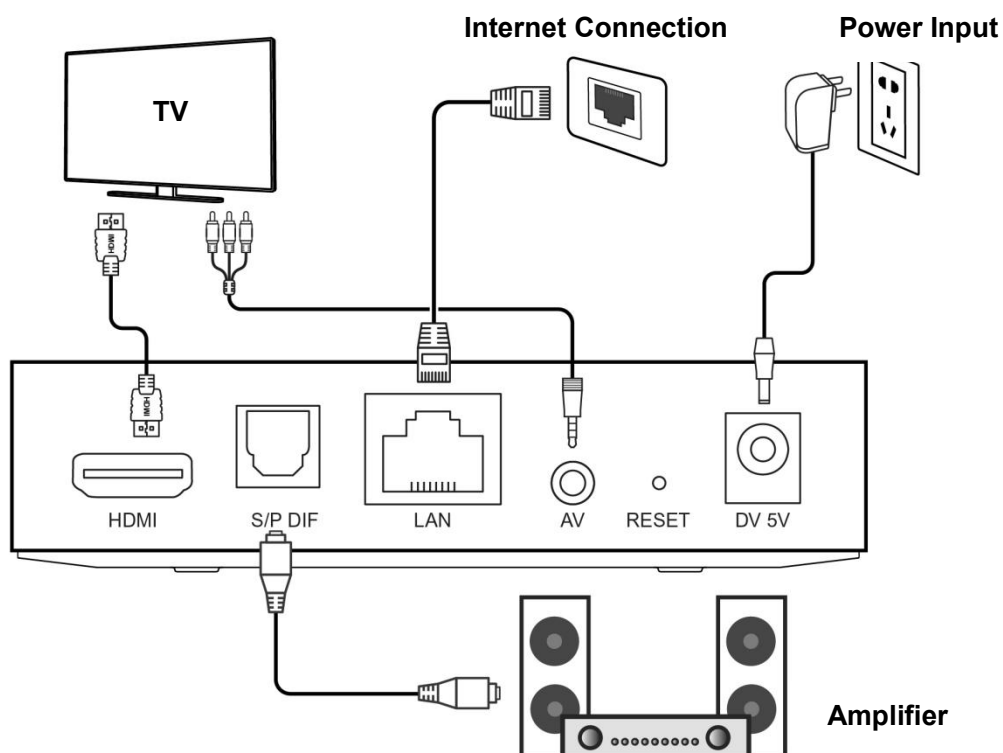


【Note】: Functions of the remote control maybe different for different Apps, you may need to use an external mouse to operate it.

System Connection

Please refer to below pictures and instructions to connect TV, Power, Network and other devices.

Note: Before connecting please shut down all the equipment to be connected (such as this machine and TV power)



Step1 Connection with TV

Connect HDMI/AV cable to HDMI/AV port of the TV box and TV set

Step2 Connection with network

Plug the Ethernet cable to LAN Port of the TV box, the other side to LAN port of router or Ethernet port of home broadband network.

Step3 Connection with Power

Connect the power adapter to the TV box. After power in on, it can start automatically.

Note: Before powering on, Please switch the signal input of the TV to correct source.

Tips: The TV box support Wi-Fi, enter **Settings**→**Advanced** interface Wi-Fi operation

Technical Specifications

CPU	ARM Quad Cortex-A5 1.5G
Android OS	Android 4.4
Video output	HDMI, CVBS
Audio output	Optical
Video format	H.264, MPGE, MKV, MP4 and other video formats
Audio format	AAC, WAV, MP3 and other audio formats
Photo format	JPG, BMP, PNG and other photo formats
Network	Wi-Fi 2.4G 802.11 b/g/n
	RJ45 Interface 10M/100M/1000M adaptive
Operation temperature	Temperature: 0°C~40°C; Humidity: <95%
Power	Input: AC100-240V 50/60Hz
	Output: DC 5V/2A
AC Power consumption	Work: <6W; Standby: <0.5W;

Troubleshooting

Issue	Possible reason	Solution
After turned on, without any display	The power cord Doesn't connect or socket without electricity	Connected power plug, ensure normal voltage electrical outlet
TV with images without Voice	Audio cable is not connected	Re-connect the Audio cable
	TV Box in MUTE state	Please press mute button to restore volume
	Audio setting is abnormal	Please enter the audio and video Settings menu, select the appropriate sound channel and language
	Volume is too low	Turn up the volume
Fail to connect the network	Cable connect is abnormal	Please reconnect internet
	Wi-Fi closed or the signal is too weak	Please restart the Wi-Fi or adjust the position of this machine
Controller failure	Remote control is not in the correct direction	Please aim at the front panel's ' SENSOR', then try again
	Remote control is with low battery	Please change the batteries
	Remote control is broken	Please send it to the local maintenance station for checking

FCC Statement

This equipment has been tested and found to comply with the limits for a Class B digital device, pursuant to Part 15 of the FCC Rules. These limits are designed to provide reasonable protection against harmful interference in a residential installation. This equipment generates uses and can radiate radio frequency energy and, if not installed and used in accordance with the instructions, may cause harmful interference to radio communications. However, there is no guarantee that interference will not occur in a particular installation. If this equipment does cause harmful interference to radio or television reception, which can be determined by turning the equipment off and on, the user is encouraged to try to correct the interference by one or more of the following measures:

- Reorient or relocate the receiving antenna.
- Increase the separation between the equipment and receiver.
- Connect the equipment into an outlet on a circuit different from that to which the receiver is connected.
- Consult the dealer or an experienced radio/TV technician for help.

Changes or modifications not expressly approved by the party responsible for compliance could void the user's authority to operate the equipment.

This device complies with part 15 of the FCC Rules. Operation is subject to the following two conditions:

- (1) This device may not cause harmful interference, and
- (2) this device must accept any interference received, including interference that may cause undesired operation.

The distance between user and products should be no less than 20cm