

4

3

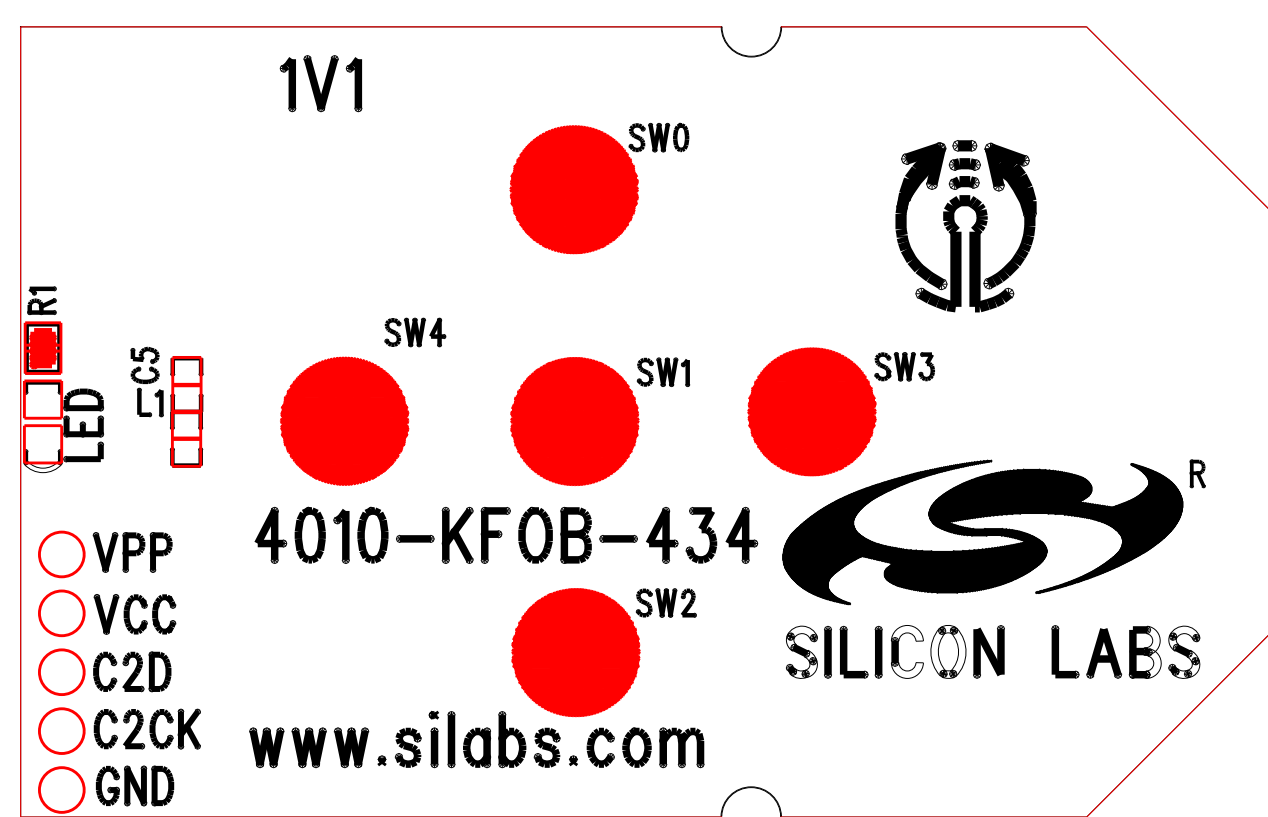
2

1

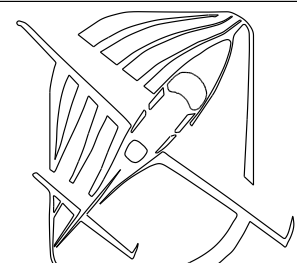
NOTES:

1. SOLDERING PER 90014.
2. REF: DEVICE TO COMPLY WITH E00000729.
3. LOAD SOFTWARE (ITEM 2) AND TEST PER ATP E00000677.
4. LABEL WITH PART NUMBER, SOFTWARE PART NUMBER AND DATE CODE.

LATEST REVISION				
LTR	SHT	ZONE	ECO	DESCRIPTION
A				I. INITIAL RELEASE.



(TOP VIEW)
-001

SEE SEPARATE PARTS LIST					
 Cirrus Design Corporation 4515 Taylor Circle Duluth, MN 55811	UNLESS OTHERWISE SPECIFIED: DO NOT SCALE DRAWING DIMENSIONS ARE IN INCHES. GENERAL TOLERANCES: ANGLE: ± 0.5° MACHINED ± 2° FORMED LINEAR: .X = ± 0.1 .XX = ± 0.03 .XXX = ± 0.010	THE INFORMATION CONTAINED IN OR DISCLOSED IN THIS DOCUMENT IS CONSIDERED PROPRIETARY BY CIRRUS DESIGN CORPORATION. THIS DOCUMENT AND THE ITEMS AND INFORMATION CONTAINED OR DISCLOSED HEREIN SHALL NOT BE USED, COPIED, OR REPRODUCED IN WHOLE OR IN PART, NOR SHALL THE CONTENTS BE REVEALED IN ANY MANNER TO ANY PERSON UNLESS WRITTEN PERMISSION IS OBTAINED FROM CIRRUS DESIGN CORPORATION.	LAST MODIFIED BY: Will Kessler LAST MODIFIED ON: 16-Oct-15 11:12:08 AM ORIGINATED BY: Will Kessler ORIGINATED ON: 09-Oct-15 08:46:44 AM	TITLE ASSEMBLY, CIRCUIT CARD, KEY FOB	
	SPECIFICATION PER CDC 90000 DRAWING PER DRM CDEP 309.	SIZE C NTS	SHEET 1 OF 3	DRAWING NO. 36775	REV A

4

3

2

1

4

3

2

1

D

D

C

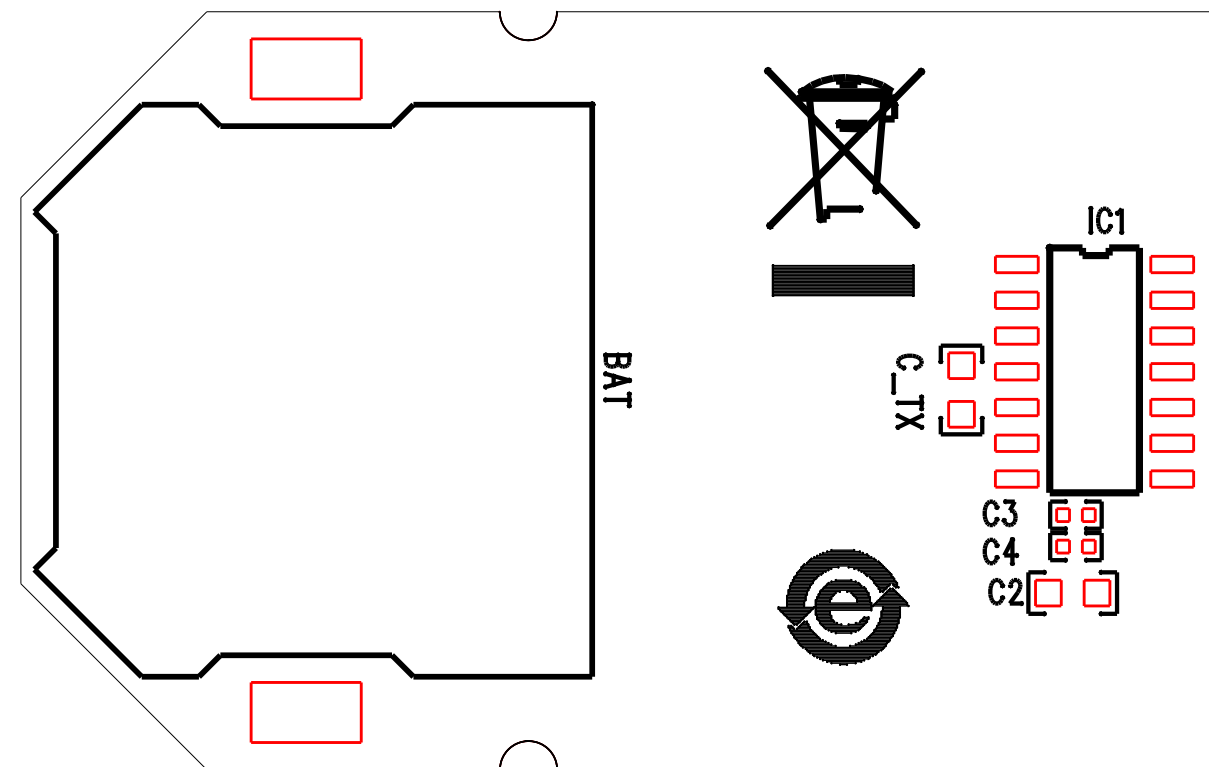
C

B

B

A

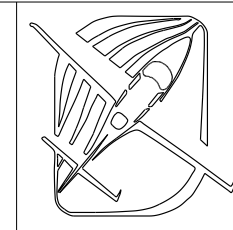
A



(BOTTOM VIEW)

-001

THE INFORMATION CONTAINED IN OR DISCLOSED IN THIS DOCUMENT IS CONSIDERED PROPRIETARY BY CIRRUS DESIGN CORPORATION. THIS DOCUMENT AND THE ITEMS AND INFORMATION CONTAINED OR DISCLOSED HEREIN SHALL NOT BE USED, COPIED, OR REPRODUCED IN WHOLE OR IN PART, NOR SHALL THE CONTENTS BE REVEALED IN ANY MANNER TO ANY PERSON UNLESS WRITTEN PERMISSION IS OBTAINED FROM CIRRUS DESIGN CORPORATION.



CIRRUS DESIGN CORPORATION 4515 Taylor Circle
Duluth, MN 55811

ASSEMBLY, CIRCUIT CARD, KEY FOB

SIZE	SCALE	SHEET	DRAWING NO.	REV
C	NTS	2 OF 3	36775	A

4

3

2

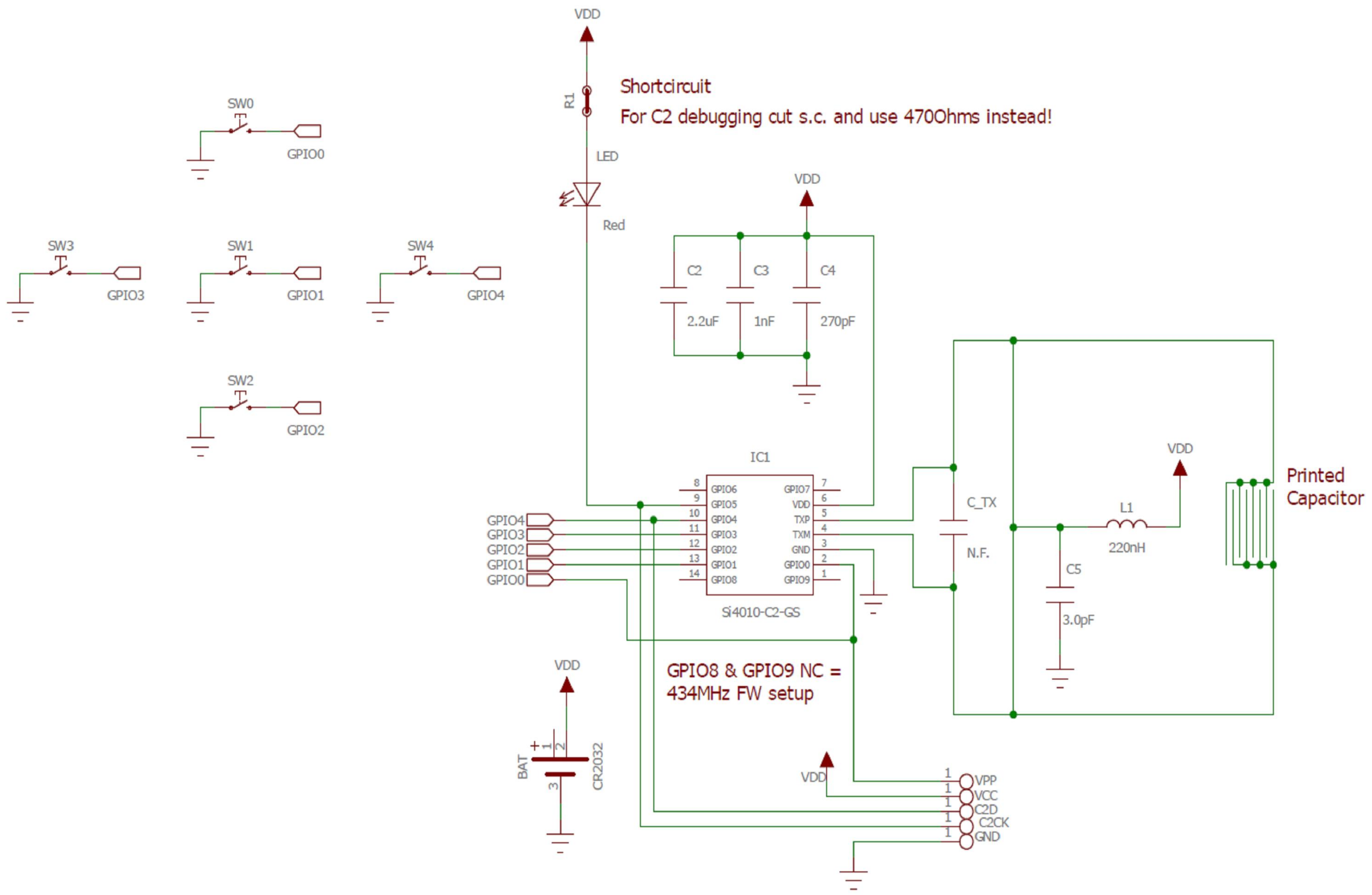
1

4

3

2

1



-001

THE INFORMATION CONTAINED IN OR DISCLOSED IN THIS DOCUMENT IS CONSIDERED PROPRIETARY BY CIRRUS DESIGN CORPORATION. THIS DOCUMENT AND THE ITEMS AND INFORMATION CONTAINED OR DISCLOSED HEREIN SHALL NOT BE USED, COPIED, OR REPRODUCED IN WHOLE OR IN PART, NOR SHALL THE CONTENTS BE REVEALED IN ANY MANNER TO ANY PERSON UNLESS WRITTEN PERMISSION IS OBTAINED FROM CIRRUS DESIGN CORPORATION.

CIRRUS DESIGN CORPORATION 4515 Taylor Circle
Duluth, MN 55811

ASSEMBLY, CIRCUIT CARD, KEY FOB

SIZE	SCALE	SHEET	DRAWING NO.	REV
C	NTS	3 OF 3	36775	A

4

3

2

1

Drawing Number	Revision		Date Released	
36775.drw	A		10/16/2015 12:45PM	
Approval Release Number	Change Class	Model Number	Project Number	Type Certificate
138272	Not Applicable	Not Applicable	Not Applicable	A00009CH

Release Authorizations

Approver Roles (Tasks Name)	Approver	Date Approved
Checker	Arthur Smith	10/16/2015 11:28AM
Cog Eng	Scott Jardine	10/16/2015 11:49AM
Eng Manager	Tim Timmerman	10/16/2015 12:45PM