



**CIRRUS**  
DESIGN CORPORATION

**Exhibit Documentation for  
36774 Key Fob**

## **FCC Label and Location**

**FCC ID:2AFBO36774**

**IC:20833-36774**

## REVISION DESCRIPTION

Rev	Change Description
A	Initial Release
B	Updated text on back of enclosure
C	Correct model number

# 1 Label and Location (FCC ID)

Figure 1 and Figure 2 contain drawings and pictures of the FCC and IC ID on the back of the key fob model 36774.

The pilot operating handbook (POH) which is the instruction manual for the product contains the following text:

“This device complies with part 15 of the FCC Rules. Operation is subject to the following two conditions: (1) This device may not cause harmful interference, and (2) this device must accept any interference received, including interference that may cause undesired operation.”

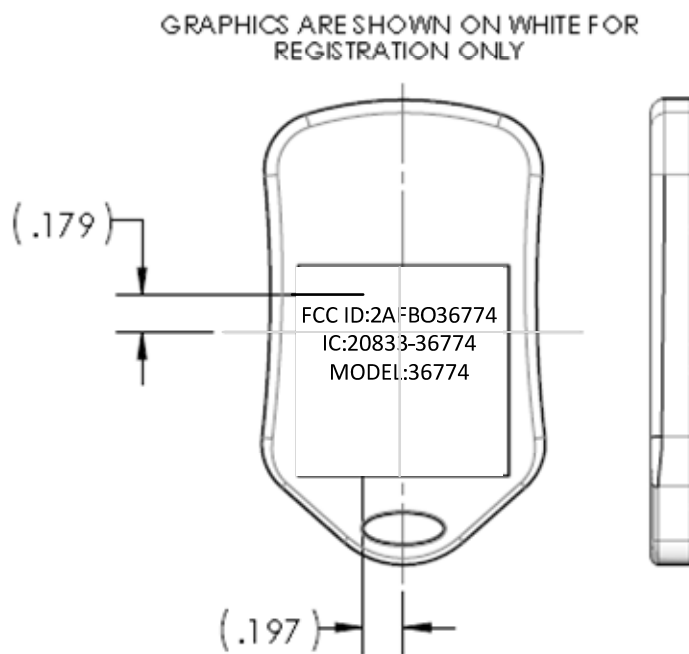


Figure 1: FCC and IC ID Text Drawing

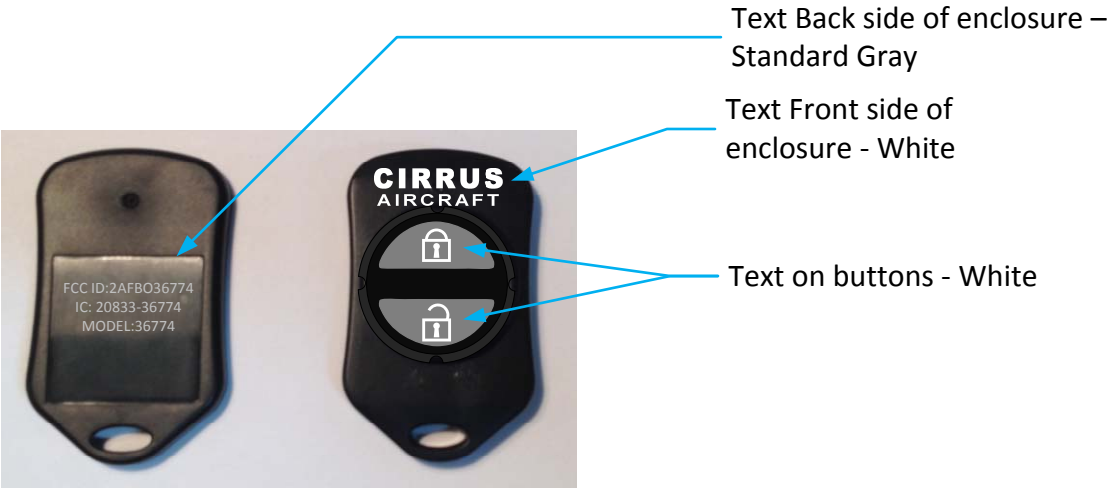


Figure 2: FCC and IC ID Picture