



music . anywhere . everywhere

BLUETOOTH HUSH

User Manual



Introduction:

Before using your Bluetooth HUSH headphones for the first time, please take a few moments to read through the user manual.

Pairing and Bluetooth connection:

Connecting for the first time: Press & hold (1) until you hear a beep, LED will flash blue rapidly. Find the word HUSH in your Bluetooth device menu, select this, you will hear another beep and the blue light will now flash slowly. You are now connected and ready to play music and receive calls.

Your hush headphone will now automatically connect to this device. If you would like to pair to another device open your Bluetooth device, disconnect the headphones and follow the pairing instructions on new device.

Charging the Battery:

When you hear a beep every 60 second it's time to charge. Connect supplied USB cable to your power source and plug the Micro USB end to the micro port (5) under the left ear-cap of the headphone. The indicator light will be red while charging. Once fully charged the indicator light will turn off. Full charging time is approximately 2.5hrs.

Note: In order to prolong the battery life, please charge the battery every 2 months even if the product is not used. If the headphone has not been used for long time, please charge it before using.

Active Noise Cancelling:

To switch on, hold the ANC button for 1 second and Green LED light will turn on.

Note: The ANC function is available both Wired and Wireless.

To switch off, hold the ANC button for 1 second Green LED light will turn off.

To conserve battery please make sure you manually switch off the ANC before you stow.

Controls:

Volume up, press and hold (2)
(when the volume reaches to maximum, you will hear a warning tone).

Volume down, press and hold (3)

Play press (1)

Pause press (1)

To skip song forward press (2) once quickly

To skip song backward press (3) once quickly

Calls:

To take a call quickly press (1) once.

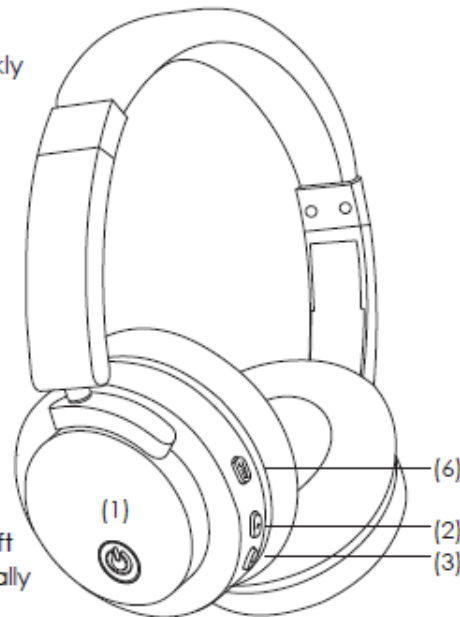
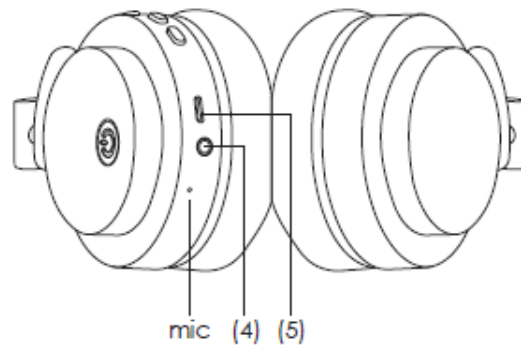
To call last number, quickly press (1) twice.

To reject a call, press and hold (1) for approx. 1-2 seconds

To end call, short press (1).

Cable Mode:

You can use HUSH as a wired headphone to save batteries. Simply connect supplied 3.5mm audio cable to the bottom of the left ear cup (4). Inserting this cable will automatically disable the Bluetooth functionality.



In the box:

- 1x Hush headphones.
- 1x Charging USB micro to USB cable.
- 1x 3.5mm audio cable.
- 1x Travel bag.
- 1x manual.



Specification:

Driver: 40mm

Impedance: 32Ω

Driver Frequency: 20Hz~20 KHz

Sensitivity: 105dB±3dB

Microphone sensitivity: -42dB

Bluetooth: CSR8635, Bluetooth V4.1

Radio Frequency coverage: 2.402GHZ~2.480GHZ

Transmit Range: about 10m (barrier free)

Frequency Response: 20HZ-20KHZ

Active noise reduction: up to 15-20 dB during 100-500Hz

Pairing products: Bluetooth computer with HFP, A2DP, AVRCP Bluetooth protocol, USB Bluetooth adapter, Bluetooth cell phones, etc...

Battery: Rechargeable lithium ion battery; 3.7V, 250mAh

Charge: Computer USB interface, output DC 5V/500mA charger

Charging time: 2.5 hours

Operate hours: up to 12 hours

Standby time: up to 200 hours

General guidelines:

Keep away from high temperature or prolonged exposure to direct sunlight.

Do not get wet or submerge in water.

If using during exercise, wipe any moisture away from with a soft cloth before folding.

Do not disassemble.

Do not drop the product.

Keep out of reach of children.

Do not use at full volume for long periods of time.

Do not use whilst operating machinery, driving or any activity that requires alertness to surroundings and/or could compromise safety.

Exposure to loud sounds can cause damage to hearing.

Warranty:

Your BOOMPODS product is backed by a one year limited warranty guaranteed against any defects in material or workmanship from the date of original purchase. The device must be used in accordance with the user manual. The warranty is subject to presentation of the original invoice or receipt from the retailer and does not apply to normal wear and tear or to any device that has been misused or tampered with.

If you have purchased your product in a store, please visit the store with your product and a copy of your receipt. If you have purchased your product directly from our web shop, please contact our customer support department for instructions.



FCC STATEMENT

This device complies with Part 15 of the FCC rules. Operation is subject to the following two conditions: 1) this device may not cause harmful interference, and 2) this device must accept any interference received, including interference that may cause undesired operation.

Changes or modifications not expressly approved by the party responsible for compliance could void your authority to operate the equipment.

NOTE: This equipment has been tested and found to comply with the limits for a Class B digital device, pursuant to Part 15 of the FCC Rules. These limits are designed to provide reasonable protection against harmful interference in a residential installation.

This equipment generates uses and can radiate radio frequency energy and, if not installed and used in accordance with the instructions, may cause harmful interference to radio communications. However, there is no guarantee that interference will not occur in a particular installation. If this equipment does cause harmful interference to radio or television reception, which can be determined by turning the equipment off and on, the user is encouraged to try to correct the interference by one or more of the following measures:

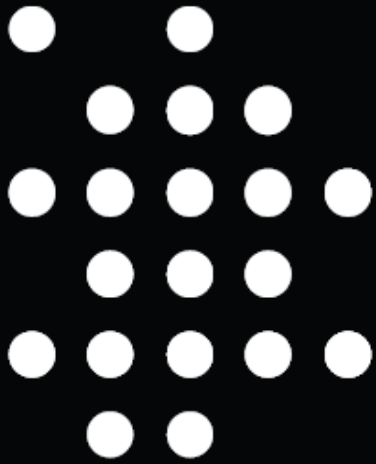
- Reorient or relocate the receiving antenna.

- Increase the separation between the equipment and receiver.

- Connect the equipment into an outlet on a circuit different from that to which the receiver is connected.

- Consult the dealer or an experienced radio/TV technician for help.

The device has been evaluated to meet general RF exposure requirement, The device can be used in portable exposure condition without restriction.



British Design

BOOMPODS is a trademark of BOOMPODS LTD., Registered in England No 08147066. BOOMPODS ©2018 All Rights.