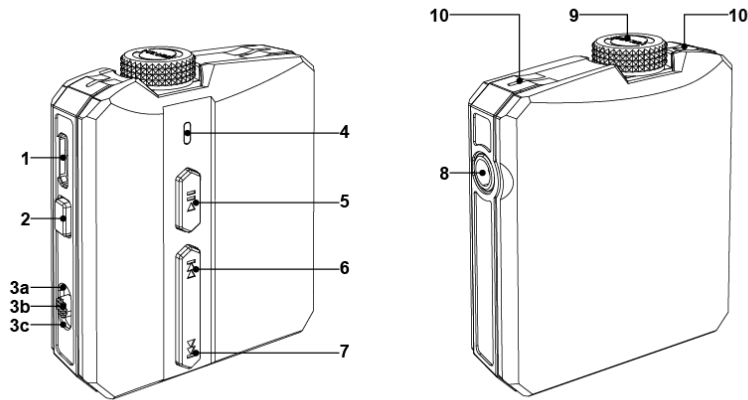


User Manual
Digital Audio Player

Ports and operations



ts】

2.Fn function key/mode shift key (Long press to switch between Hi-Fi mode and Sport mode, short press for voice notice)

3. Power switch and repeat mode key (power off/Random repeat/sequence repeat)

4. Status LED

5. Play/Pause

6. Next file(shortpress)/Nex folder(long press)

7.Previous file (short Press)./Previous.folder.(long.press)

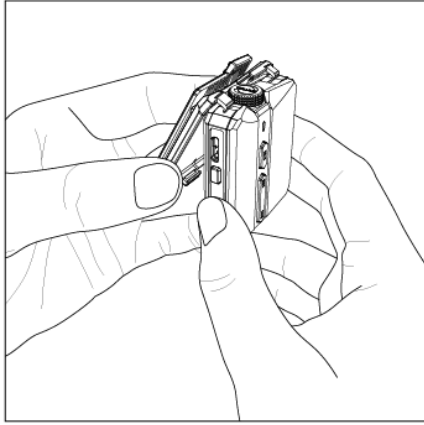
8. Headphone. jack

9. Volume.Knob

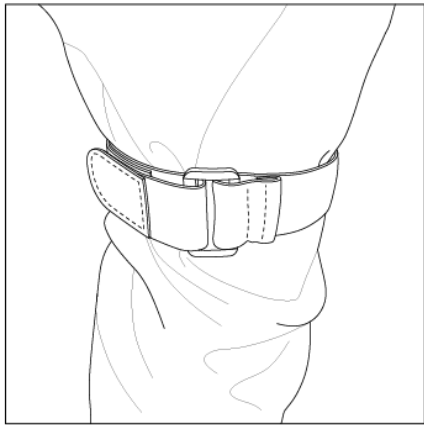
10. Slot. for. Back. clip

Wearling Manual

1. Insert PAW Pico into back clip as shown, it is done after a “Ka. Da” sound.

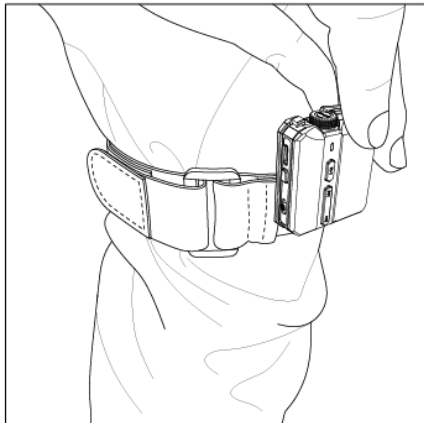


【Tie the arm belt to your arm at a proper position】



3.

【clip PAW Pico to the arm belt】



LED indication

Power. on

Green. LED. flash. quickly

Hi - Fi. mode

Green. LED. flash. twice, . pause. for. a. while. and. flash. twice. again:. pause. or. stop
Play. music, . green. LED. flash. slowly:. Playback

Sport. Mode

Green. LED. flash. quickly:. GPS. initialization

Green. LED. flash. twice, . pause. for. a. while. and. flash. twice. again:. pause. or. stop

Play. music, . green. LED. flash. slowly:. Playback

Firmware. Update

Green. LED. flashes. quickly:. updating

Green. LED. stays. on:. update. done

Green. LED. is. off:. update. failed

Charging. indication

Power. on. status

Red. LED. stays. on:. Charging. or. external. power. connected

Power. off. status

Red. LED. stays. on:. recharging

Red. LED. is. off:. recharge. done

Tech spec

General spec

Supported format

DSD 64, DSD128, DFF / DSF / ISO

FLAC / APE / WAV / MP3 / WMA/ OGG / M4A / AAC / WAVPACK / AIF /

ALAC / CUE

Core:

ADI Blackfin 706 DSP

Sample rate:

DSD 2.8MHz, DSD 5.6MHz

PCM 32kHz-192kHz

USB:	USB2.0
Storage:	Built-in 32GB MLC
Battery:	300mah Li-poly
Wireless:	BLE
GPS:	Built-in
Motion sensor:	Built-in
Size:	40.8 X 46 X 12.6(W x H x D)
Weight:	26g Pico. only
Freq range:	$\pm 0.5\text{dB}$ (20~20kHz)
THD+N:	<0.003% (A-weighting, 500mV)
Dynamic range:	>101dB
Output level:	-3.5dBu@16ohm

Firmware update

- 1、hen Pico is off, hold <Fn> key and <next> key then switch on, the LED will blinking in green.
- 2、Connect Pico to PC with the USB cable attached, a removable disk will be seen.
- 3、Copy the firmware file “pawpico.coe” to the root of the disk.
- 4、Disconnect the USB cable, wait till the LED stays in green.The update procedure is completed.If the green LED turns off. Update is failed, please update again.

Disk format

- 1、 Connect Pico to PC with the USB cable attached, a removable disk will be seen.
- 2、 For Windows, Please format with exFAT and make sure the cluster size is larger than 32KB. For MacOS, Please format with exFAT and select partition type with MBR
- 3、 After the format procedure finished, eject the disk and remove the USB cable.
Notice: Do not Format Pico unless necessary

Wearing:

- To avoid permanent hearing loss, please set the volume to a proper level for long time listening. Before insert the headphone, please pause and turn down the volume
- Please choose adapter with the voltage of 5V, and current higher than 0.5A
- When errors occurred or system frozen, please try to press and hold "Fn" button and "Play" button for more than 5 seconds to turn it off.
- If the device has not been used for long time, please recharge it regularly to guarantee its battery life; the battery should not be exposed to the sun, fire or overheating environment. Please stop using immediately if the battery is in high temperature.
- When using GPS, Due to different satellite status, it may cause different signal levels at same place and different time range.
This function will be different according to different models
- Disassemble the device by yourself may cause damage or malfunction.
- Use the device in dusty or smoky areas may give rise to damage or malfunction.
- Eat the device and its accessories may cause serious damage or malfunction
- Clean the device with chemical solvents or detergents may cause damage
- Get the device close to magnetic substances may give rise to damage or malfunction.
- Place any heavy objects on the device may give rise to damage or malfunction.

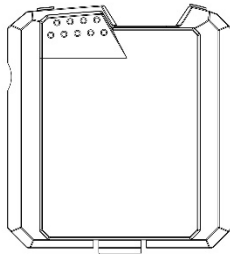
● Use the device in some place may suffering water drop or humid environment may cause damage to the circuit or burning.

Parts

PAW.Pico:



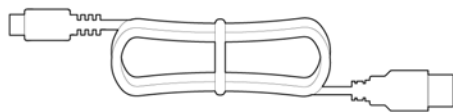
accessories:



Back clip



Arm belt



USB.cable



PAW Pico user. manual



warranty.card

Warranty Instruction

1. Users must, within 15 days from the purchase date, register the bought product before they are entitled to after-sales services. Otherwise, the manufacturer will only provide a 15-month-lasting limited warranty based on ex-factory date.

For product registration, please visit official website (www.lotoo.cn).

2. Under normal operation in accordance with the manual, any faults and the device not disassembled may within 15 days since the purchase date, be subject to returns, replacement or maintenance of the product. Any faults mentioned above within 16 to 30 days since the purchase date may be subject to replacement or maintenance of the product. Main device, the built-in lithium battery, the USB data cable are all subject to a 12 months' warranty;
3. Warranty is only applicable to the condition that normal functions and technical indicators fail to be realized due to product quality problems, and not applicable to any wear-out and damage of product appearances and packaging, including damages caused by artificial or accidental breakdowns or those caused because of the reasons that non-original power adapter is used or non-compatible devices are connected to the interface;
4. If one of the following circumstances occurs in the warranty period, only

repair service is available, with costs of components, parts and accessories to be paid:

a) Damages caused due to artificial factors, including damages caused by operations in abnormal working condition, breach of the manual or falling or collision;

b) The device disassembled, repaired and refitted by users without authorization or repaired by a third party;

c) Damages caused by force majeure (such as flood, fire, earthquake and lightning stroke);

5. The solely party responsible for after-sales services of lotoo products is Beijing Infomedia Electronic Technology Co., Ltd.

FCC Statement:

This device complies with part 15 of the FCC Rules. Operation is subject to the following two conditions: (1) This device may not cause harmful interference, and (2) this device must accept any interference received, including interference that may cause undesired operation.

This equipment has been tested and found to comply with the limits for a Class B digital device, pursuant to part 15 of the FCC Rules. These limits are designed to provide reasonable protection against harmful interference in a residential installation. This equipment generates, uses and can radiate radio frequency energy and, if not installed and used in accordance with the instructions, may cause harmful interference to radio communications. However, there is no guarantee that interference will not occur in a particular installation. If this equipment does cause harmful interference to radio or television reception, which can be determined by turning the equipment off and on, the user is encouraged to try to correct the interference by one or more of the following measures:

- Reorient or relocate the receiving antenna.
- Increase the separation between the equipment and receiver.
- Connect the equipment into an outlet on a circuit different from that to which the receiver is connected.
- Consult the dealer or an experienced radio/TV technician for help.

Caution: Any changes or modifications not expressly approved by the party responsible for compliance could void the user's authority to operate the equipment.

This equipment complies with FCC radiation exposure limits set forth for an uncontrolled environment.

This transmitter must not be co-located or operating in conjunction with any other antenna or transmitter.