

## FCC AND IC CERTIFICATION TEST REPORT

### FOR

<b>Applicant</b>	:	Guangzhou Chicken Run Network Technology Co., Ltd
<b>Address</b>	:	Rm 301A-1, NO.68, Huacui St, Jianye Rd, Tianhe Dist, Guangzhou, China
<b>Equipment under Test</b>	:	Bluetooth Controller
<b>Model No.</b>	:	T1d
<b>Trade Mark</b>	:	GameSir
<b>FCC ID</b>	:	2AF9ST1D
<b>IC</b>	:	23502-T1D
<b>Manufacturer</b>	:	Guangzhou Chicken Run Network Technology Co., Ltd
<b>Address</b>	:	Rm 301A-1, NO.68, Huacui St, Jianye Rd, Tianhe Dist, Guangzhou, China

**Issued By: Dongguan Dongdian Testing Service Co., Ltd.**

**Add:** No. 17, Zongbu Road 2, Songshan Lake Sci&Tech, Industry Park, Dongguan City, Guangdong Province, China, 523808

**Tel:** +86-0769-89201699    **E-mail:** ddt@dgddt.com    <http://www.dgddt.com>

# REPORT

## TABLE OF CONTENTS

	Test report declares.....	4
1.	Summary of test results .....	6
2.	General test information .....	7
2.1.	Description of EUT .....	7
2.2.	Accessories of EUT.....	7
2.3.	Assistant equipment used for test.....	7
2.4.	Block diagram of EUT configuration for test.....	7
2.5.	Test environment conditions .....	7
2.6.	Deviations of test standard.....	8
2.7.	Test laboratory .....	8
2.8.	Measurement uncertainty.....	8
3.	Equipment used during test .....	8
4.	6dB Bandwidth and 99% Bandwidth.....	10
4.1.	Block diagram of test setup.....	10
4.2.	Limits .....	10
4.3.	Test Procedure.....	10
4.4.	Test Result.....	10
4.5.	Original test data.....	10
5.	Maximum Peak Output Power .....	12
5.1.	Block diagram of test setup.....	12
5.2.	Limits .....	12
5.3.	Test Procedure.....	12
5.4.	Test Result.....	12
5.5.	Original test data.....	13
6.	Power Spectral Density .....	14
6.1.	Block diagram of test setup.....	14
6.2.	Limits .....	14
6.3.	Test Procedure.....	14
6.4.	Test Result.....	14
6.5.	Original test data.....	15
7.	Emissions in non-restricted frequency bands.....	16
7.1.	Block diagram of test setup.....	16
7.2.	Limits .....	16
7.3.	Test Procedure.....	16
7.4.	Test Result.....	16
7.5.	Original test data.....	17

8.	Emissions in restricted frequency bands .....	18
8.1.	Block diagram of test setup.....	18
8.2.	Limit .....	19
8.3.	Test Procedure.....	20
8.4.	Test result .....	22
9.	Band Edge Compliance .....	26
9.1.	Block diagram of test setup.....	26
9.2.	Limit .....	26
9.3.	Test Procedure.....	26
9.4.	Test result .....	26
10.	Power Line Conducted Emission .....	31
10.1.	Block diagram of test setup.....	31
10.2.	Power Line Conducted Emission Limits.....	31
10.3.	Test Procedure.....	31
10.4.	Test Result.....	32
11.	Antenna Requirements .....	35
11.1.	Limit .....	35
11.2.	Result.....	35

## TEST REPORT DECLARE

<b>Applicant</b>	:	Guangzhou Chicken Run Network Technology Co., Ltd
<b>Address</b>	:	Rm 301A-1, NO.68, Huacui St, Jianye Rd, Tianhe Dist, Guangzhou, China
<b>Equipment under Test</b>	:	Bluetooth Controller
<b>Model No.</b>	:	T1d
<b>Trade mark</b>	:	GameSir
<b>Manufacturer</b>	:	Guangzhou Chicken Run Network Technology Co., Ltd
<b>Address</b>	:	Rm 301A-1, NO.68, Huacui St, Jianye Rd, Tianhe Dist, Guangzhou, China

**Test Standard Used:**

FCC Rules and Regulations Part 15 Subpart C, RSS-247 Issue 2 February 2017.

**Test procedure used:**

ANSI C63.10:2013, RSS-Gen Issue 4, Nov. 2014

**We Declare:**

The equipment described above is tested by Dongguan Dongdian Testing Service Co., Ltd. and in the configuration tested the equipment complied with the standards specified above. The test results are contained in this test report and Dongguan Dongdian Testing Service Co., Ltd. is assumed of full responsibility for the accuracy and completeness of these tests.

**After test and evaluation, our opinion is that the equipment provided for test compliance with the requirement of the above FCC&IC standards.**

<b>Report No.:</b>	DDT-R17122706-1E1		
<b>Date of Receipt:</b>	Jan. 02, 2018	<b>Date of Test:</b>	Jan. 02, 2018~ Jan. 12, 2018

**Prepared By:**

*Ella Gong*

**Ella Gong/Engineer**



**Kevin Feng/EMC Manager**

Note: This report applies to above tested sample only. This report shall not be reproduced in parts without written approval of Dongguan Dongdian Testing Service Co., Ltd.

### Revision history

Rev.	Revisions	Issue Date	Revised By
---	Initial issue	Jan. 12, 2018	

## 1. Summary of test results

The EUT have been tested according to the applicable standards as referenced below.		
Description of Test Item	Standard	Results
6dB Bandwidth and 99% Bandwidth	FCC Part 15: 15.247 ANSI C63.10:2013 RSS-247 5.2.1 RSS-GEN 6.6	PASS
Peak Output Power	FCC Part 15: 15.247 ANSI C63.10:2013 RSS-247 Issue 2 5.4.d	PASS
Power Spectral Density	FCC Part 15:15.247 ANSI C63.10:2013 RSS-247 Issue 2 5.2.2	PASS
Emissions in non-restricted frequency bands	FCC Part 15: 15.247 ANSI C63.10:2013 RSS-247 Issue 2 5.5 RSS-Gen Issue 4 8.9 8.10	PASS
Transmitter spurious emission	FCC Part 15: 15.209 FCC Part 15: 15.247 ANSI C63.10: 2013 RSS-247 Issue 2 5.5 RSS-Gen Issue 4 8.9 8.10	PASS
Band Edge Compliance	FCC Part 15: 15.209 FCC Part 15: 15.247 ANSI C63.10: 2013 RSS-247 Issue 2 5.5 RSS-Gen Issue 4 8.9 8.10	PASS
Power Line Conducted Emission	FCC Part 15: 15.207 ANSI C63.10: 2013 RSS-Gen Issue 4 8.8	PASS
Antenna requirement	FCC Part 15: 15.203 RSS-Gen Issue 4 8.3	PASS

## 2. General test information

### 2.1. Description of EUT

EUT* Name	: Bluetooth Controller
Model Number	: T1d
EUT function description	: Please reference user manual of this device
Power supply	: DC 5V from external AC Adapter DC 3.7V built-in battery
Radio Specification	: Bluetooth V4.0
Operation frequency	: 2402MHz -2480MHz
Modulation	: GFSK
Data rate	: 1Mbps
Antenna Type	: Integral PCB antenna, maximum PK gain: 2.26dBi
Sample Type	: Series production

Note: EUT is the ab. of equipment under test.

### 2.2. Accessories of EUT

Description of Accessories	Manufacturer	Model number	Serial No.	Other
N/A	N/A	N/A	N/A	N/A

### 2.3. Assistant equipment used for test

Assistant equipment	Manufacturer	Model number	Serial No.	Other
Notebook	DELL	Latitude D610	FCC DOC	00045-534-136-300

### 2.4. Block diagram of EUT configuration for test



Test software: Test software: nRFgo studio.EXE

The test software was used to control EUT work in Continuous TX mode, and select test channel, wireless mode as blow table:

Tested mode, channel, information		
Mode	Channel	Frequency (MHz)
GFSK	CH0	2402
	CH19	2440
	CH39	2480

Note: According exploratory test, EUT will have maximum output power in those data rate, so those data rate were used for all test.

### 2.5. Test environment conditions

During the measurement the environmental conditions were within the listed ranges:

Temperature range:	21-25°C
Humidity range:	40-75%
Pressure range:	86-106kPa

## 2.6. Deviations of test standard

No Deviation.

## 2.7. Test laboratory

Dongguan Dongdian Testing Service Co., Ltd.

Add: No. 17, Zongbu Road 2, Songshan Lake Sci&Tech, Industry Park, Dongguan City,  
Guangdong Province, China, 523808 Tel: +86-0769-89201699 <http://www.dgddt.com>

CNAS Accreditation No. L6451; A2LA Accreditation No. 3870.01

Designation Number: CN1182; Test Firm Registration Number: 540522

Industry Canada site registration number: 10288A-1

## 2.8. Measurement uncertainty

Test Item	Uncertainty
Bandwidth	1.1%
Peak Output Power(Conducted)( Spectrum analyzer)	0.86dB(10 MHz ≤ f < 3.6GHz);
	1.38dB(3.6GHz ≤ f < 8GHz)
Peak Output Power(Conducted)(Power Sensor)	0.74dB
Power Spectral Density	0.74dB(10 MHz ≤ f < 3.6GHz);
	1.38dB(3.6GHz ≤ f < 8GHz)
Frequencies Stability	6.7 x 10 <sup>-8</sup> (Antenna couple method)
	5.5 x 10 <sup>-8</sup> (Conducted method)
Conducted spurious emissions	0.86dB(10 MHz ≤ f < 3.6GHz);
	1.40dB(3.6GHz ≤ f < 8GHz)
	1.66dB(8GHz ≤ f < 22GHz)
Uncertainty for radio frequency (RBW<20KHz)	3×10 <sup>-8</sup>
Temperature	0.4°C
Humidity	2%
Uncertainty for Radiation Emission test (30MHz-1GHz)	4.70 dB (Antenna Polarize: V)
	4.84 dB (Antenna Polarize: H)
Uncertainty for Radiation Emission test (1GHz-40GHz)	4.10dB(1-6GHz)
	4.40dB (6GHz-18Gz)
	3.54dB (18GHz-26Gz)
	4.30dB (26GHz-40Gz)
Uncertainty for Power line conduction emission test	3.32dB (150KHz-30MHz)

Note: This uncertainty represents an expanded uncertainty expressed at approximately the 95% confidence level using a coverage factor of k=2.

## 3. Equipment used during test

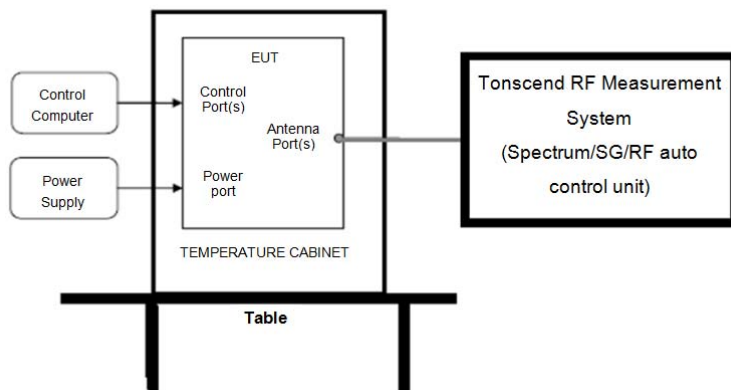
Equipment	Manufacturer	Model No.	Serial No.	Last Cal.	Cal. Interval
-----------	--------------	-----------	------------	-----------	---------------



<b>RF Connected Test (Tonscent RF Measurement System)</b>					
Spectrum analyzer	R&S	FSU26	1166.1660.26	Oct. 23, 2017	1 Year
Wideband Radio Communication tester	R&S	CMW500	155523	Oct. 21, 2017	1 Year
Vector Signal Generator	Agilent	E8267D	MY52098743	Oct. 23, 2017	1 Year
Vector Signal Generator	Agilent	N5182A	MY48180737	Oct. 21, 2017	1 Year
Power Sensor	Agilent	U2021XA	MY55150010	Oct. 21, 2017	1 Year
Power Sensor	Agilent	U2021XA	MY55150011	Oct. 21, 2017	1 Year
DC Power Source	MATRIS	MPS-3005L-3	D813058W	Oct. 21, 2017	1 Year
Attenuator	Mini-Circuits	BW-S10W2	101109	Oct. 21, 2017	1 Year
RF Cable	Micable	C10-01-01-1	100309	Oct. 21, 2017	1 Year
Temp&Humi Programmable	ZHIXIANG	ZXGDJS-150L	ZX170110-A	Oct. 21, 2017	1Year
Test Software	JS Tonscend	JS1120-2	Ver.2.5	N/A	N/A
USB Data acquisition	Agilent	U2531A	TW55043503	N/A	N/A
Auto control Unit	JS Tonscend	JS0806-2	158060010	N/A	N/A
<b>Radiated Emission Test Chamber 1#</b>					
EMI Test Receiver	R&S	ESU8	100316	Oct. 21, 2017	1 Year
Spectrum analyzer	Agilent	E4447A	MY50180031	Jun. 16, 2017	1 Year
Trilog Broadband Antenna	Schwarzbeck	VULB9163	9163-462	Oct. 27, 2017	1 Year
Active Loop antenna	Schwarzbeck	FMZB-1519	1519-038	Oct. 21, 2017	1 Year
Broadband Horn antenna	Schwarzbeck	BBHA 9170	BBHA 9170 #790	Aug. 11, 2017	1 Year
Double Ridged Horn Antenna	R&S	HF907	100276	Oct. 21, 2017	1 Year
Pre-amplifier	A.H.	PAM-0118	360	Oct. 21, 2017	1 Year
Pre-amplifier	TERA-MW	TRLA-0040 G35	101303	Oct. 21, 2017	1 Year
RF Cable	HUBSER	CP-X2	W11.03	Oct. 21, 2017	1 Year
RF Cable	HUBSER	CP-X1	W12.02	Oct. 21, 2017	1 Year
MI Cable	HUBSER	C10-01-01-1 M	1091629	Oct. 21, 2017	1 Year
Test software	Audix	E3	V 6.11111b	N/A	N/A
<b>Power Line Conducted Emissions Test</b>					
Test Receiver	R&S	ESU8	100316	Oct. 21, 2017	1 Year
LISN 1	R&S	ENV216	101109	Oct. 21, 2017	1 Year
LISN 2	R&S	ESH2-Z5	100309	Oct. 21, 2017	1 Year
Pulse Limiter	R&S	ESH3-Z2	101242	Oct. 21, 2017	1 Year
CE Cable 1	HUBSER	ESU8/RF2	W10.01	Oct. 21, 2017	1 Year
Test software	Audix	E3	V 6.11111b	N/A	N/A

## 4. 6dB Bandwidth and 99% Bandwidth

### 4.1. Block diagram of test setup



### 4.2. Limits

For direct sequence systems, the minimum 6dB bandwidth shall be at least 500 KHz

### 4.3. Test Procedure

(1) Connect EUT's antenna output to spectrum analyzer by RF cable.

(2) Set the spectrum analyzer as follows:

RBW:	100KHz
VBW:	300KHz
Detector Mode:	Peak
Sweep time:	auto
Trace mode	Max hold

(3) Allow the trace to stabilize, measure the 6dB and 99% bandwidth of signal.

### 4.4. Test Result

Mode	Channel	6dB bandwidth Result (MHz)	99% bandwidth Result (MHz)	6 dB width Limit (MHz)	Conclusion
GFSK	CH0	0.668	1.400	>0.5	PASS
	CH19	0.668	1.536	>0.5	PASS
	CH39	0.676	1.320	>0.5	PASS

### 4.5. Original test data

Graphs

<p>LCH</p>	<p>Ref 20 dBm * Att 20 dB          Offset 1.2 dB          RBW 100 kHz Delta 3 [T1 ]          VBW 300 kHz -1.07 dB          SWT 5 ms 668.00000000 kHz</p> <p>Marker 1 [T1 ]          1.40000000 MHz          -1.54 dBm</p> <p>Marker 2 [T1 ]          2.40178000 GHz          -5.0 dBm</p> <p>Temp 1 [T1 OHW]          2.40213000 GHz          -2.93 dBm</p> <p>Temp 2 [T1 OHW]          2.40145000 GHz          -21.08 dBm</p> <p>Temp 3 [T1 OHW]          2.40285000 GHz          -21.08 dBm</p> <p>Center 2.402 GHz 400 kHz/ Span 4 MHz</p> <p>Date: 4.JAN.2018 09:00:30</p>
<p>MCH</p>	<p>Ref 20 dBm * Att 20 dB          Offset 1.2 dB          RBW 100 kHz Delta 3 [T1 ]          VBW 300 kHz -0.01 dB          SWT 5 ms 668.00000000 kHz</p> <p>Marker 1 [T1 ]          1.53600000 MHz          -1.02 dBm</p> <p>Marker 2 [T1 ]          2.43978000 GHz          -8.2 dBm</p> <p>Temp 1 [T1 OHW]          2.44013000 GHz          -10.73 dBm</p> <p>Temp 2 [T1 OHW]          2.43936000 GHz          -21.46 dBm</p> <p>Temp 3 [T1 OHW]          2.44090000 GHz          -21.46 dBm</p> <p>Center 2.44 GHz 400 kHz/ Span 4 MHz</p> <p>Date: 4.JAN.2018 09:02:49</p>
<p>HCH</p>	<p>Ref 20 dBm * Att 20 dB          Offset 1.2 dB          RBW 100 kHz Delta 3 [T1 ]          VBW 300 kHz -0.15 dB          SWT 5 ms 676.00000000 kHz</p> <p>Marker 1 [T1 ]          1.32000000 MHz          -1.22 dBm</p> <p>Marker 2 [T1 ]          2.47978000 GHz          -8.2 dBm</p> <p>Temp 1 [T1 OHW]          2.48012000 GHz          -10.22 dBm</p> <p>Temp 2 [T1 OHW]          2.47950000 GHz          -21.63 dBm</p> <p>Temp 3 [T1 OHW]          2.48082000 GHz          -21.63 dBm</p> <p>Center 2.48 GHz 400 kHz/ Span 4 MHz</p> <p>Date: 4.JAN.2018 09:05:35</p>

## 5. Maximum Peak Output Power

### 5.1. Block diagram of test setup

Same with 4.1

### 5.2. Limits

For systems using digital modulation in the 902-928 MHz, 2400-2483.5 MHz, and 5725-5850 MHz bands: 1 Watt. If transmitting antennas of directional gain greater than 6 dBi are used, the conducted output power from the intentional radiator shall be reduced below the stated values as appropriate, by the amount in dB that the directional gain of the antenna exceeds 6 dBi.

### 5.3. Test Procedure

(1) Connect EUT's antenna output to spectrum analyzer by RF cable.

(2) Set the spectrum analyzer as follows:

RBW:	3MHz
VBW:	10 MHz
Span	>1.5x 6dB bandwidth
Detector Mode:	Peak
Sweep time:	auto
Trace mode	Max hold

(3) Allow the trace to stabilize, Use the instrument's band/channel power measurement function with the band limits set equal to the DTS bandwidth edges measure out the PK output power.

### 5.4. Test Result

Mode	Freq (MHz)	Peak Output Power (dBm)	Limit (dBm)	Conclusion
GFSK	2402	-5.31	30	PASS
	2440	-4.48	30	PASS
	2480	-4.05	30	PASS

5.5. Original test data

Graphs	
LCH	<p>Ref 20 dBm *Att 20 dB *RBW 3 MHz *VBW 10 MHz *SWT 2.5 ms Marker 1 [T1] -5.31 dBm 2.402076923 GHz</p> <p>Offset 1.2 dB</p> <p>Center 2.402 GHz 400 kHz/ Span 4 MHz</p> <p>Date: 4.JAN.2018 09:01:04</p>
MCH	<p>Ref 20 dBm *Att 20 dB *RBW 3 MHz *VBW 10 MHz *SWT 2.5 ms Marker 1 [T1] -4.48 dBm 2.439724359 GHz</p> <p>Offset 1.2 dB</p> <p>Center 2.44 GHz 400 kHz/ Span 4 MHz</p> <p>Date: 4.JAN.2018 09:03:22</p>
HCH	<p>Ref 20 dBm *Att 20 dB *RBW 3 MHz *VBW 10 MHz *SWT 2.5 ms Marker 1 [T1] -4.05 dBm 2.480064103 GHz</p> <p>Offset 1.2 dB</p> <p>Center 2.48 GHz 400 kHz/ Span 4 MHz</p> <p>Date: 4.JAN.2018 09:06:08</p>

## 6. Power Spectral Density

### 6.1. Block diagram of test setup

Same with 4.1

### 6.2. Limits

For digitally modulated systems, the power spectral density conducted from the intentional radiator to the antenna shall not be greater than 8dBm in any 3 kHz band during any time interval of continuous transmission.

### 6.3. Test Procedure

(1) Connect EUT's antenna output to spectrum analyzer by RF cable.

(2) Set the spectrum analyzer as follows:

Center frequency	DTS Channel center frequency
RBW:	$3 \text{ kHz} \leq \text{RBW} \leq 100 \text{ kHz}$
VBW:	$\geq 3\text{RBW}$
Span	1.5times the DTS bandwidth
Detector Mode:	Peak
Sweep time:	auto
Trace mode	Max hold

(3) Allow the trace to stabilize, use the peak marker function to determine the maximum amplitude level within the RBW.

(4) If measured value exceeds limit, reduce RBW (no less than 3 kHz) and repeat.

### 6.4. Test Result

EUT Set Mode	Channel	Result (dBm)
GFSK	CH0	-5.45
	CH19	-4.91
	CH39	-4.17
Limit: <8dBm/3KHz		Conclusion: PASS

6.5. Original test data

Graphs	
LCH	<p>Ref 20 dBm *Att 20 dB *RBW 100 kHz *VBW 300 kHz *SWT 5 ms Marker 1 [T1] -5.45 dBm 2.402128000 GHz</p> <p>Offset 1.2 dB</p> <p>Center 2.402 GHz 400 kHz/ Span 4 MHz</p> <p>Date: 4.JAN.2018 09:01:20</p>
MCH	<p>Ref 20 dBm *Att 20 dB *RBW 100 kHz *VBW 300 kHz *SWT 5 ms Marker 1 [T1] -4.90 dBm 2.440124000 GHz</p> <p>Offset 1.2 dB</p> <p>Center 2.44 GHz 400 kHz/ Span 4 MHz</p> <p>Date: 4.JAN.2018 09:03:38</p>
HCH	<p>Ref 20 dBm *Att 20 dB *RBW 100 kHz *VBW 300 kHz *SWT 5 ms Marker 1 [T1] -4.17 dBm 2.480136000 GHz</p> <p>Offset 1.2 dB</p> <p>Center 2.48 GHz 400 kHz/ Span 4 MHz</p> <p>Date: 4.JAN.2018 09:06:24</p>

## 7. Emissions in non-restricted frequency bands

### 7.1. Block diagram of test setup

Same with 4.1

### 7.2. Limits

In any 100kHz bandwidth outside the frequency bands in which the spread spectrum intentional radiator is operating, the radio frequency power that is produced by the intentional radiator shall be at least 20dB below that in the 100kHz bandwidth within the band that contains the highest level of the desired power.

### 7.3. Test Procedure

(1) Connect EUT's antenna output to spectrum analyzer by RF cable.

(2) Establish a reference level by using the following procedure:

Center frequency	DTS Channel center frequency
RBW:	100KHz
VBW:	300KHz
Span	1.5times the DTS bandwidth
Detector Mode:	Peak
Sweep time:	auto
Trace mode	Max hold

(3) Allow the trace to stabilize, use the peak marker function to determine the maximum peak power level to establish the reference level.

(4) Set the spectrum analyzer as follows:

RBW:	100KHz
VBW:	300KHz
Span	Encompass frequency range to be measured
Number of measurement points	$\geq \text{span}/\text{RBW}$
Detector Mode:	Peak
Sweep time:	auto
Trace mode	Max hold

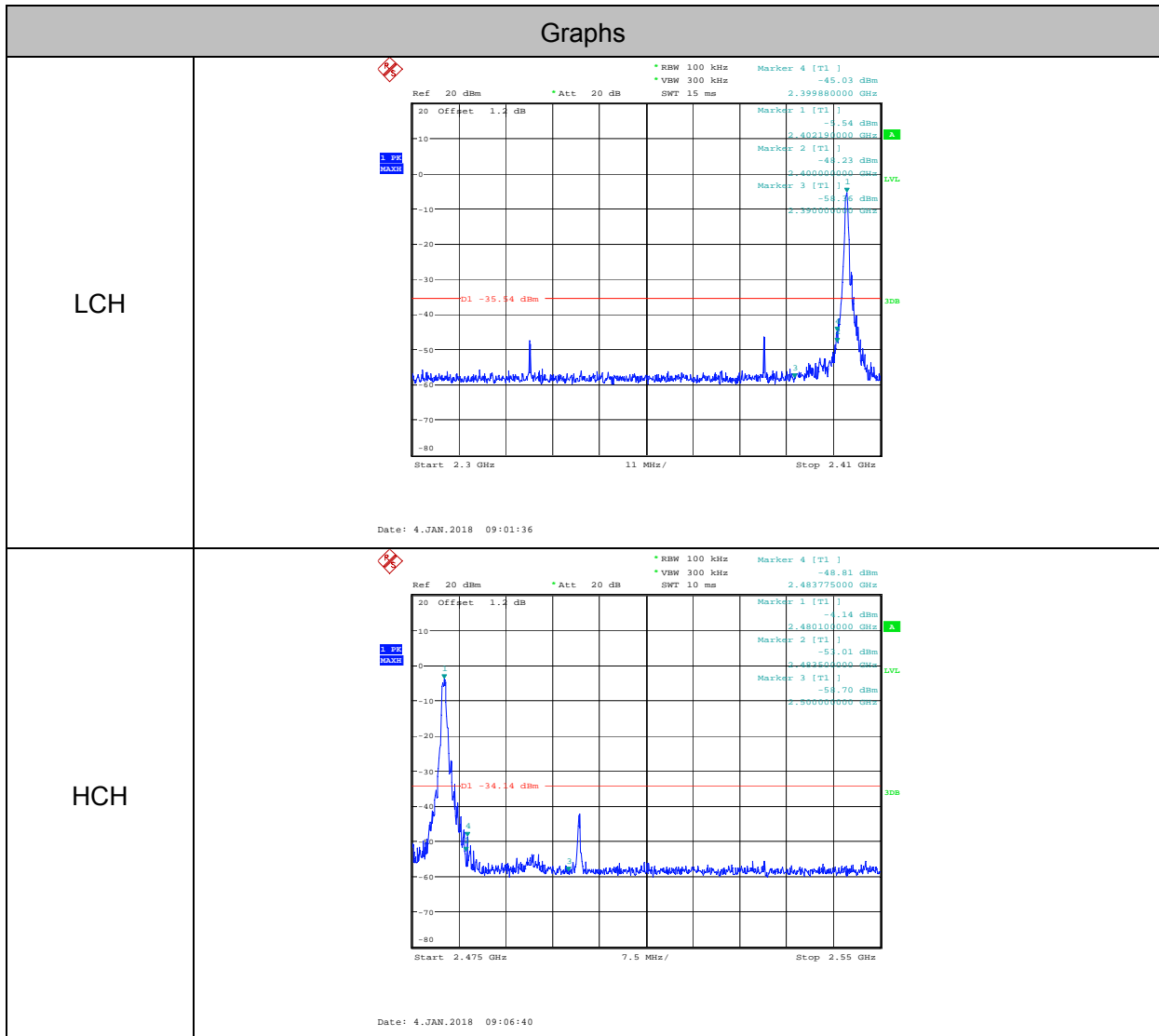
(5) Allow the trace to stabilize, use the peak marker function to determine the maximum amplitude of all unwanted emissions outside of the authorized frequency band

### 7.4. Test Result

EUT Set Mode	CH or Frequency	Measured Range	Result (dBm)
GFSK	CH0	2.375GHz-2.405GHz	PASS
	CH39	2.476GHz-2.506GHz	PASS



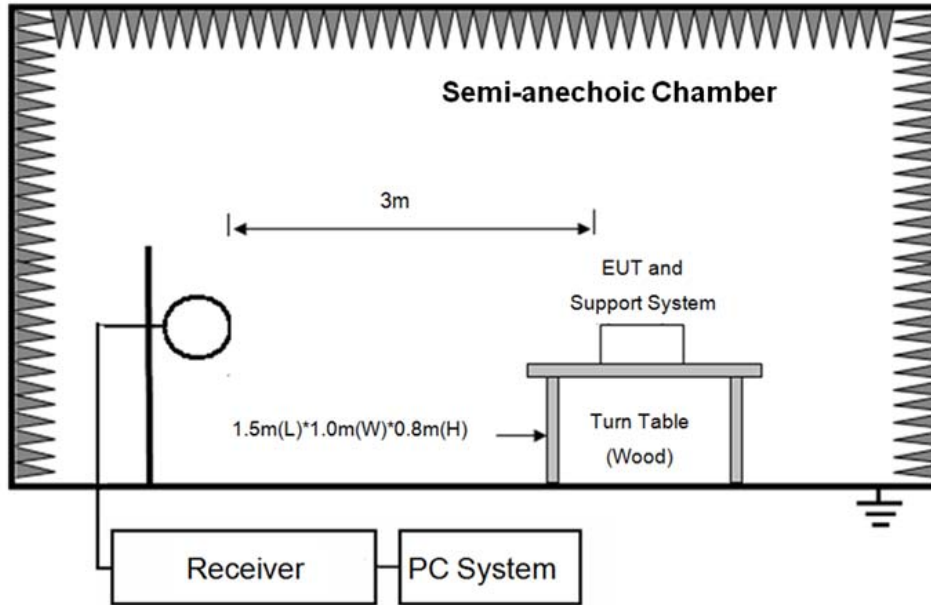
### 7.5. Original test data



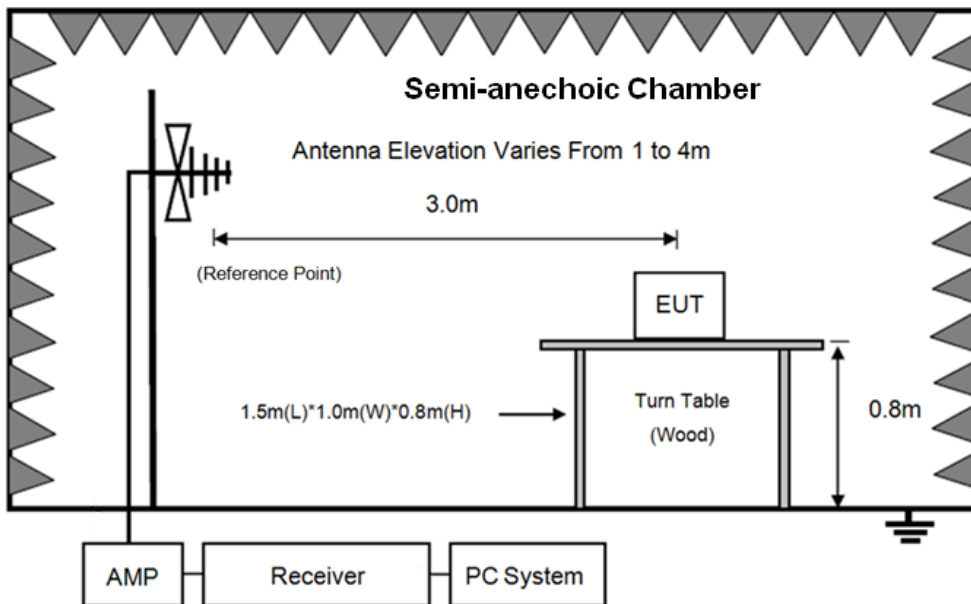
## 8. Emissions in restricted frequency bands

### 8.1. Block diagram of test setup

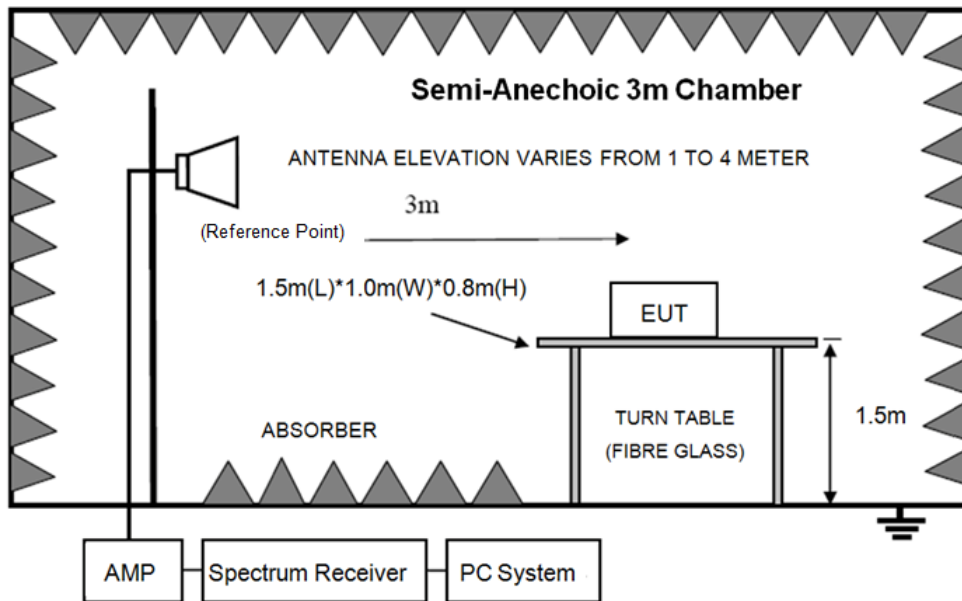
In 3m Anechoic Chamber Test Setup Diagram for 9KHz-30MHz



In 3m Anechoic Chamber Test Setup Diagram for 30MHz-1GHz



In 3m Anechoic Chamber Test Setup Diagram for frequency above 1GHz



Note: For harmonic emissions test a appropriate high pass filter was inserted in the input port of AMP.

## 8.2. Limit

### 8.2.1 FCC 15.205 Restricted frequency band

MHz	MHz	MHz	GHz
0.090-0.110	16.42-16.423	399.9-410	4.5-5.15
10.495-0.505	16.69475-16.69525	608-614	5.35-5.46
2.1735-2.1905	16.80425-16.80475	960-1240	7.25-7.75
4.125-4.128	25.5-25.67	1300-1427	8.025-8.5
4.1772&4.17775	37.5-38.25	1435-1626.5	9.0-9.2
4.2072&4.20775	73-74.6	1645.5-1646.5	9.3-9.5
6.215-6.218	74.8-75.2	1660-1710	10.6-12.7
6.26775-6.26825	108-121.94	1718.8-1722.2	13.25-13.4
6.31175-6.31225	123-138	2200-2300	14.47-14.5
8.291-8.294	149.9-150.05	2310-2390	15.35-16.2
8.362-8.366	156.52475-156.52525	2483.5-2500	17.7-21.4
8.37625-8.38675	156.7-156.9	2690-2900	22.01-23.12
8.41425-8.41475	162.0125-167.17	3260-3267	23.6-24.G
12.29-12.293	167.72-173.2	3332-3339	31.2-31.8
12.51975-12.52025	240-285	3345.8-3358	36.43-36.5
12.57675-12.57725	322-335.4	3600-4400	( <sup>2</sup> )
13.36-13.41			

## 8.2.2 FCC 15.209 Limit.

FREQUENCY MHz	DISTANCE Meters	FIELD STRENGTHS LIMIT	
		$\mu\text{V}/\text{m}$	$\text{dB}(\mu\text{V})/\text{m}$
0.009 ~ 0.490	300	2400/F(KHz)	67.6-20log(F)
0.490 ~ 1.705	30	24000/F(KHz)	87.6-20log(F)
1.705 ~ 30.0	30	30	29.54
30 ~ 88	3	100	40.0
88 ~ 216	3	150	43.5
216 ~ 960	3	200	46.0
960 ~ 1000	3	500	54.0
Above 1000	3	74.0 dB( $\mu\text{V}$ )/m (Peak) 54.0 dB( $\mu\text{V}$ )/m (Average)	

Note: (1)The emission limits shown in the above table are based on measurements employing a CISPR QP detector except for the frequency bands 9-90KHz, 110-490KHz and above 1000MHz. Radiated emissions limits in these three bands are based on measurements employing an average detector.

(2) At frequencies below 30MHz, measurement may be performed at a distance closer than that specified, and the limit at closer measurement distance can be extrapolated by below formula:

$$\text{Limit}_{3\text{m}}(\text{dB}\mu\text{V}/\text{m}) = \text{Limit}_{30\text{m}}(\text{dB}\mu\text{V}/\text{m}) + 40\text{Log}(30\text{m}/3\text{m})$$

## 8.2.3 Limit for this EUT

All the emissions appearing within 15.205 restricted frequency bands shall not exceed the limits shown in 15.209, all the other emissions shall be at least 20dB below the fundamental emissions, or comply with 15.209 limits.

## 8.3. Test Procedure

- (1) EUT was placed on a non-metallic table, 80 cm above the ground plane inside a semi-anechoic chamber for below 1G and 150 cm above the ground plane inside a semi-anechoic chamber for above 1G.
- (2) Test antenna was located 3m from the EUT on an adjustable mast, and the antenna used as below table.

Test frequency range	Test antenna used	Test antenna distance
9KHz-30MHz	Active Loop antenna	3m
30MHz-1GHz	Trilog Broadband Antenna	3m
1GHz-18GHz	Double Ridged Horn Antenna(1GHz-18GHz)	3m
18GHz-40GHz	Horn Antenna(18GHz-40GHz)	1m

According ANSI C63.10:2013 clause 6.4.4.2 and 6.5.3, for measurements below 30 MHz, the loop antenna was positioned with its plane vertical from the EUT and rotated about its vertical axis for maximum response at each azimuth position around the EUT. And the loop antenna also be positioned with its plane horizontal at the specified distance from the EUT. The center of the

loop is 1 m above the ground. for measurement above 30MHz, the Trilog Broadband Antenna or Horn Antenna was located 3m from EUT, Measurements were made with the antenna positioned in both the horizontal and vertical planes of

Polarization, and the measurement antenna was varied from 1 m to 4 m. in height above the reference ground plane to obtain the maximum signal strength.

(3) Below pre-scan procedure was first performed in order to find prominent frequency spectrum radiated emissions from 9KHz to 25GHz:

(a) Scanning the peak frequency spectrum with the antenna specified in step (3), and the EUT was rotated 360 degree, the antenna height was varied from 1m to 4m(Except loop antenna, it's fixed 1m above ground.)

(b) Change work frequency or channel of device if practicable.

(c) Change modulation type of device if practicable.

(d) Change power supply range from 85% to 115% of the rated supply voltage

(e) Rotated EUT though three orthogonal axes to determine the attitude of EUT arrangement produces highest emissions.

Spectrum frequency from 9KHz to 25GHz (tenth harmonic of fundamental frequency) was investigated, and no any obvious emission were detected from 9KHz to 30MHz and 18GHz to 25GHzso below final test was performed with frequency range from 30MHz to 18GHz.

(4) For final emissions measurements at each frequency of interest, the EUT was rotated and the antenna height was varied between 1m and 4m in order to maximize the emission. Measurements in both horizontal and vertical polarities were made and the data was recorded. In order to find the maximum emission, the relative positions of equipments and all of the interface cables were changed according to ANSI C63.10 2013 on Radiated Emission test.

(5) The emissions from 9KHz to 1GHz were measured based on CISPR QP detector except for the frequency bands 9-90KHz, 110-490KHz, for emissions from 9KHz-90KHz,110KHz-490KHz and above 1GHz were measured based on average detector, for emissions above 1GHz, peak emissions also be measured and need comply with Peak limit.

(6)The emissions from 9KHz to 1GHz, QP or average values were measured with EMI receiver with below RBW

Frequency band	RBW
9KHz-150KHz	200Hz
150KHz-30MHz	9KHz
30MHz-1GHz	120KHz

For emissions above 1GHz, both Peak and Average level were measured with Spectrum Analyzer, and the RBW is set at 1MHz, VBW is set at 3MHz for Peak measure; RBW is set at 1MHz, VBW is set at 3MHz for Average measure(according ANSI C63.10:2013 clause 4.2.3.2.3 procedure for average measure).

(8) X axis, Y axis, Z axis are tested, and worse setup X axis is reported.

## 8.4. Test result

### **PASS. (See below detailed test result)**

All the emissions except fundamental emission from 9KHz to 25GHz were comply with 15.209 limit.

Note1: According exploratory test no any obvious emission were detected from 9KHz to 30MHz and 18GHz to 25GHz, so the final test was performed with frequency range from 30MHz to 18GHz and recorded in below.

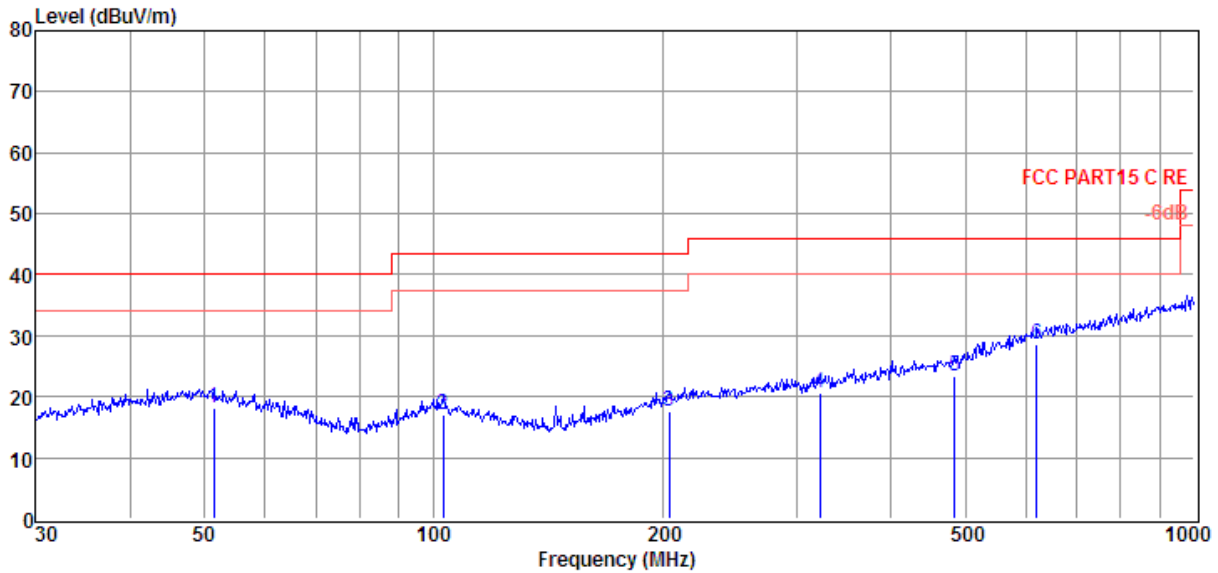
Note2: For emissions below 1GHz, according exploratory explorer test, when change Tx mode and channel, have no distinct influence on emissions level, so for emissions below 1GHz, the final test was only performed with EUT working in GFSK, Tx 2440MHz mode.

Note3: For emissions above 1GHz. If peak results comply with AV limit, AV Result is deemed to comply with AV limit.

## Radiated Emission test (below 1GHz) TR-4-E-009 Radiated Emission Test Result

<b>Test Site</b>	: DDT 3m Chamber 1#	D:\2017 RE1# Report Data\Q17122706-1E\Q17122706-1E FCC 30M-1G.EM6
<b>Test Date</b>	: 2018-01-08	<b>Tested By</b> : TALENT
<b>EUT</b>	: Bluetooth Controller	<b>Model Number</b> : T1d
<b>Power Supply</b>	: Battery	<b>Test Mode</b> : TX mode
<b>Condition</b>	: Temp:24.5'C,Humi:55%, Press:100.1kPa	<b>Antenna/Distance</b> : 2017 VULB 9163 1#/3m/VERTICAL
<b>Memo</b>	:	

Data: 1



Item (Mark)	Freq. (MHz)	Read Level (dBμV)	Antenna Factor (dB/m)	Cable Loss dB	Result Level (dBμV/m)	Limit Line (dBμV/m)	Over Limit (dB)	Detector	Polarization
1	51.48	0.82	13.42	4.01	18.25	40.00	-21.75	QP	VERTICAL
2	103.08	1.57	11.12	4.44	17.13	43.50	-26.37	QP	VERTICAL
3	204.24	1.09	11.59	5.05	17.73	43.50	-25.77	QP	VERTICAL
4	322.19	1.17	13.77	5.63	20.57	46.00	-25.43	QP	VERTICAL
5	483.91	0.92	17.16	5.41	23.49	46.00	-22.51	QP	VERTICAL
6	620.71	2.26	19.47	6.74	28.47	46.00	-17.53	QP	VERTICAL

- Note: 1. Result Level = Read Level + Antenna Factor + Cable loss.  
 2. If Peak Result complies with QP limit, QP Result is deemed to comply with QP limit.  
 3. Test setup: RBW: 120 kHz, VBW: 300 kHz, Sweep time: auto.

# TR-4-E-009 Radiated Emission Test Result

**Test Site** : DDT 3m Chamber 1#

D:\2017 RE1# Report Data\Q17122706-1E\Q17122706-1E FCC 30M-1G.EM6

**Test Date** : 2018-01-08

**Tested By** : TALENT

**EUT** : Bluetooth Controller

**Model Number** : T1d

**Power Supply** : Battery

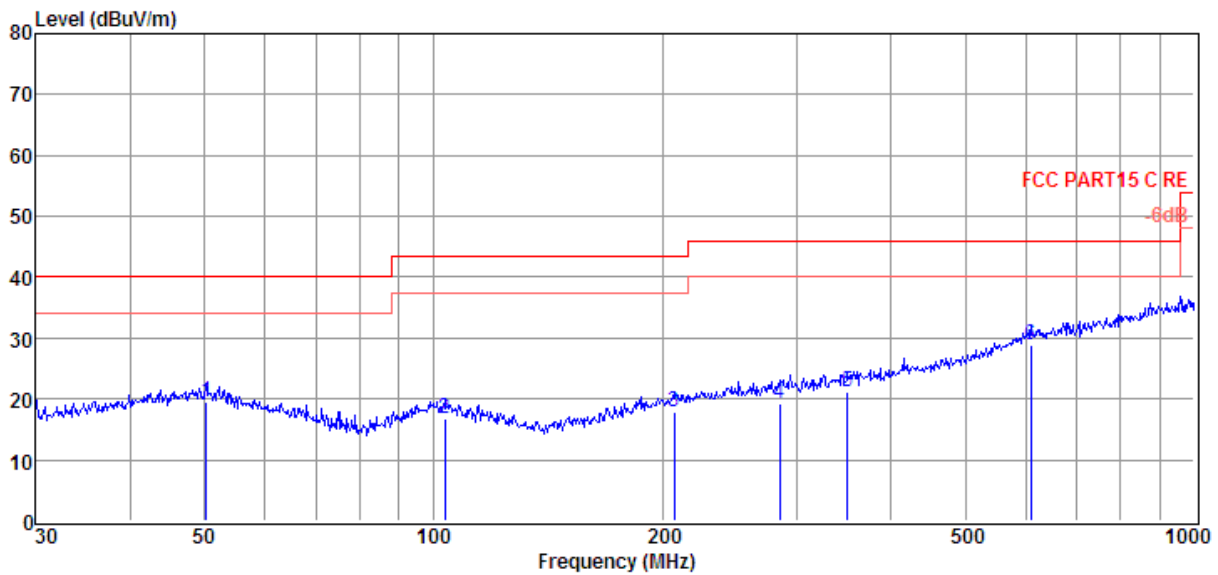
**Test Mode** : TX mode

**Condition** : Temp:24.5'C,Humi:55%,  
Press:100.1kPa

**Antenna/Distance** : 2017 VULB 9163 1#/3m/HORIZONTAL

**Memo** :

Data: 2



Item (Mark)	Freq. (MHz)	Read Level (dBμV)	Antenna Factor (dB/m)	Cable Loss dB	Result Level (dBμV/m)	Limit Line (dBμV/m)	Over Limit (dB)	Detector	Polarization
1	50.23	1.79	13.74	3.99	19.52	40.00	-20.48	QP	HORIZONTAL
2	103.44	1.25	11.07	4.44	16.76	43.50	-26.74	QP	HORIZONTAL
3	207.12	1.09	11.66	5.06	17.81	43.50	-25.69	QP	HORIZONTAL
4	284.98	0.62	13.07	5.46	19.15	46.00	-26.85	QP	HORIZONTAL
5	350.48	1.05	14.33	5.75	21.13	46.00	-24.87	QP	HORIZONTAL
6	609.92	2.72	19.43	6.71	28.86	46.00	-17.14	QP	HORIZONTAL

Note: 1. Result Level = Read Level + Antenna Factor + Cable loss.

2. If Peak Result complies with QP limit, QP Result is deemed to comply with QP limit.

3. Test setup: RBW: 120 kHz, VBW: 300 kHz, Sweep time: auto.



**Radiated Emission test (above 1GHz)**

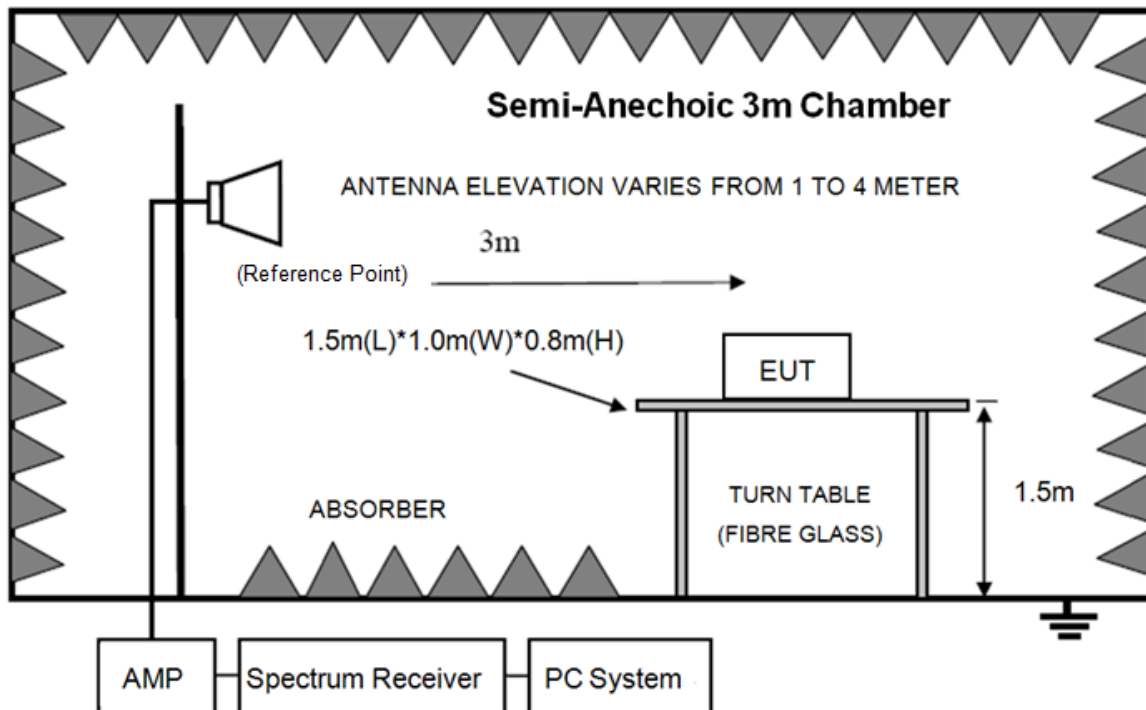
Freq. (MHz)	Read level (dB $\mu$ V)	Antenna Factor (dB/m)	PRM Factor (dB)	Cable Loss (dB)	Result Level (dB $\mu$ V/m)	Limit (dB $\mu$ V/m)	Margin (dB)	Detector type	Polarization
GFSK Tx mode 2402MHz									
4740.00	35.46	34.58	29.30	7.32	48.06	74.00	-25.94	Peak	HORIZONTAL
7069.00	35.29	36.83	30.42	8.39	50.09	74.00	-23.91	Peak	HORIZONTAL
8225.00	34.80	37.24	31.33	9.49	50.20	74.00	-23.80	Peak	HORIZONTAL
9755.00	35.21	37.96	32.82	10.76	51.11	74.00	-22.89	Peak	HORIZONTAL
10350.00	34.75	38.41	33.15	10.95	50.96	74.00	-23.04	Peak	HORIZONTAL
11761.00	34.31	38.76	34.68	10.99	49.38	74.00	-24.62	Peak	HORIZONTAL
4740.00	34.87	34.58	29.30	7.32	47.47	74.00	-26.53	Peak	VERTICAL
6066.00	33.91	35.70	29.24	8.22	48.59	74.00	-25.41	Peak	VERTICAL
7239.00	35.41	36.90	30.52	8.55	50.34	74.00	-23.66	Peak	VERTICAL
9245.00	35.82	37.60	32.45	10.50	51.47	74.00	-22.53	Peak	VERTICAL
10571.00	34.53	38.54	33.33	10.99	50.73	74.00	-23.27	Peak	VERTICAL
12084.00	34.58	38.88	34.85	11.00	49.61	74.00	-24.39	Peak	VERTICAL
GFSK Tx mode 2440MHz									
4961.00	35.23	34.94	29.35	7.54	48.36	74.00	-25.64	Peak	HORIZONTAL
6015.00	34.42	35.70	29.19	8.21	49.14	74.00	-24.86	Peak	HORIZONTAL
7324.00	38.40	36.93	30.59	8.62	53.36	74.00	-20.64	Peak	HORIZONTAL
9874.00	34.79	38.07	32.87	10.82	50.81	74.00	-23.19	Peak	HORIZONTAL
11251.00	34.87	38.70	34.28	11.04	50.33	74.00	-23.67	Peak	HORIZONTAL
13070.00	35.14	39.37	35.64	11.42	50.29	74.00	-23.71	Peak	HORIZONTAL
4230.00	34.87	33.28	29.09	6.81	45.87	74.00	-28.13	Peak	VERTICAL
4944.00	34.96	34.91	29.34	7.52	48.05	74.00	-25.95	Peak	VERTICAL
7324.00	37.08	36.93	30.59	8.62	52.04	74.00	-21.96	Peak	VERTICAL
8480.00	34.82	37.30	31.67	9.78	50.23	74.00	-23.77	Peak	VERTICAL
9534.00	34.79	37.73	32.69	10.65	50.48	74.00	-23.52	Peak	VERTICAL
10486.00	34.85	38.49	33.25	10.97	51.06	74.00	-22.94	Peak	VERTICAL
GFSK Tx mode 2480MHz									
4859.00	34.75	34.77	29.33	7.44	47.63	74.00	-26.37	Peak	HORIZONTAL
6729.00	34.63	36.20	30.16	8.30	48.97	74.00	-25.03	Peak	HORIZONTAL
8055.00	34.91	37.21	31.18	9.29	50.23	74.00	-23.77	Peak	HORIZONTAL
8820.00	34.70	37.43	32.18	10.16	50.11	74.00	-23.89	Peak	HORIZONTAL
10384.00	34.40	38.43	33.17	10.96	50.62	74.00	-23.38	Peak	HORIZONTAL
11285.00	33.86	38.69	34.35	11.03	49.23	74.00	-24.77	Peak	HORIZONTAL
4774.00	35.44	34.64	29.31	7.35	48.12	74.00	-25.88	Peak	VERTICAL
6440.00	35.05	35.70	29.74	8.26	49.27	74.00	-24.73	Peak	VERTICAL
7426.00	37.43	36.97	30.70	8.71	52.41	74.00	-21.59	Peak	VERTICAL
9024.00	35.55	37.51	32.33	10.38	51.11	74.00	-22.89	Peak	VERTICAL
10554.00	34.45	38.53	33.31	10.98	50.65	74.00	-23.35	Peak	VERTICAL
12135.00	34.83	38.87	34.87	11.02	49.85	74.00	-24.15	Peak	VERTICAL
Result: Pass									

Note: 1. Result Level = Read Level + Antenna Factor + Cable loss - PRM Factor.

2: For emissions above 1GHz. If peak results comply with AV limit, AV Result is deemed to comply with AV limit.

## 9. Band Edge Compliance

### 9.1. Block diagram of test setup



### 9.2. Limit

All the lower and upper band-edges emissions appearing within 2310MHz to 2390MHz and 2483.5MHz to 2500MHz restricted frequency bands shall not exceed the limits shown in 15.209, all the other emissions outside operation frequency band 2400MHz to 2483.5MHz and 5725MHz to 5850MHz shall be at least 20dB below the fundamental emissions, or comply with 15.209 limits.

### 9.3. Test Procedure

Same with clause 8.3 except change investigated frequency range from 2310MHz to 2415MHz and 2475MHz to 2500MHz.

Remark: All restriction band have been tested, and only the worse case is shown in report.

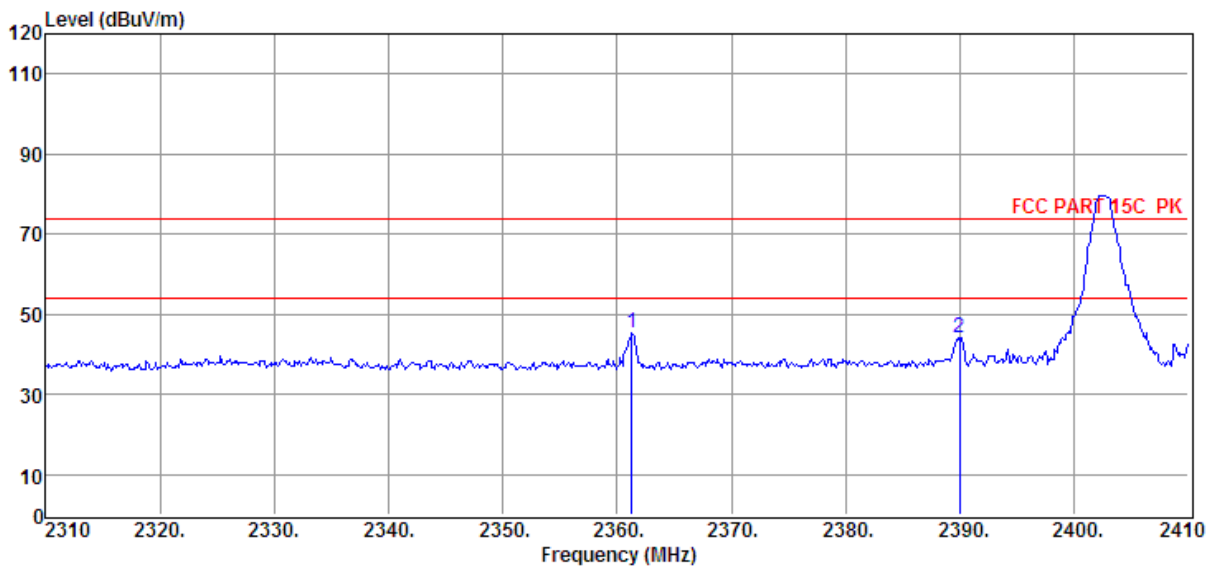
### 9.4. Test result

**PASS. (See below detailed test result)**

# TR-4-E-009 Radiated Emission Test Result

<b>Test Site</b>	: DDT 3m Chamber 1#	D:\2017 RE1# Report Data\Q17122706-1E\Q17122706-1E
		FCC 1G-18G.EM6
<b>Test Date</b>	: 2018-01-08	<b>Tested By</b> : TALENT
<b>EUT</b>	: Bluetooth Contriller	<b>Model Number</b> : T1D
<b>Power Supply</b>	: Battery	<b>Test Mode</b> : TX mode
<b>Condition</b>	: Temp:24.5°C,Humi:55%, Press:100.1kPa	<b>Antenna/Distance</b> : 2017 HF907/3m/VERTICAL
<b>Memo</b>	: 2402	

Data: 3



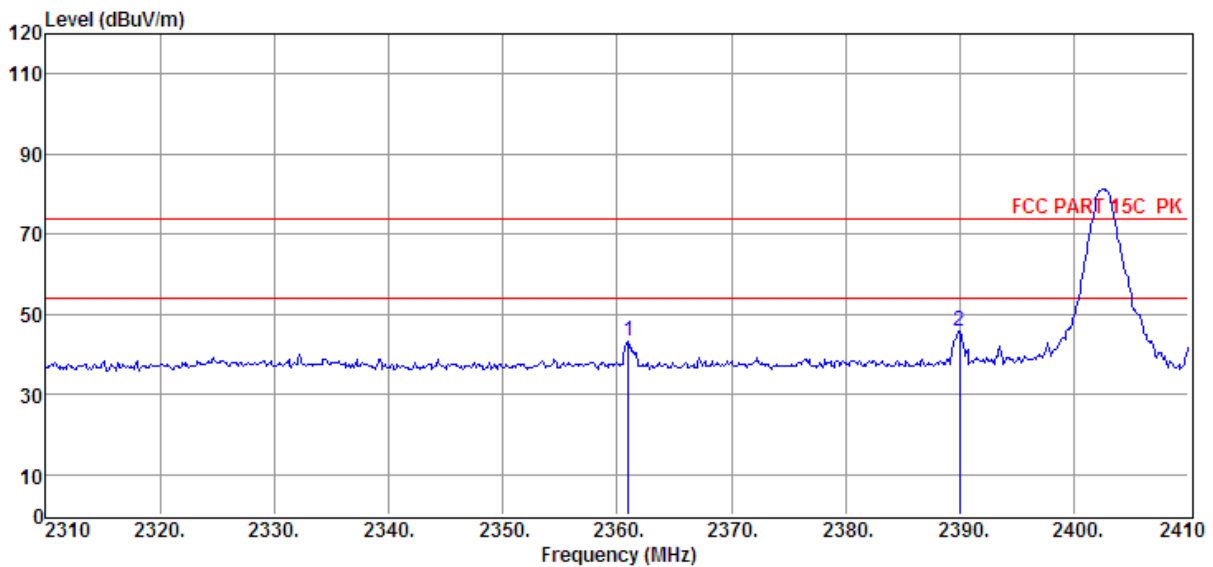
Item (Mark)	Freq. (MHz)	Read Level (dBμV)	Antenna Factor (dB/m)	PRM Factor (dB)	Cable Loss (dB)	Result Level (dBμV/m)	Limit Line (dBμV/m)	Over Limit (dB)	Detector	Polarization
1	2361.30	42.59	26.90	29.35	5.08	45.22	74.00	-28.78	Peak	VERTICAL
2	2390.00	41.62	27.00	29.42	5.11	44.31	74.00	-29.69	Peak	VERTICAL

Note: 1. Result Level = Read Level + Antenna Factor + Cable loss - PRM Factor.  
 2. If Peak Result complies with AV limit, AV Result is deemed to comply with AV limit.  
 3. Test setup: RBW: 1 MHz, VBW: 3 MHz, Sweep time: auto.

# TR-4-E-009 Radiated Emission Test Result

<b>Test Site</b>	: DDT 3m Chamber 1#	D:\2017 RE1# Report Data\Q17122706-1E\Q17122706-1E
		FCC 1G-18G.EM6
<b>Test Date</b>	: 2018-01-08	<b>Tested By</b> : TALENT
<b>EUT</b>	: Bluetooth Contriller	<b>Model Number</b> : T1D
<b>Power Supply</b>	: Battery	<b>Test Mode</b> : TX mode
<b>Condition</b>	: Temp:24.5°C,Humi:55%, Press:100.1kPa	<b>Antenna/Distance</b> : 2017 HF907/3m/HORIZONTAL
<b>Memo</b>	: 2402	

Data: 4



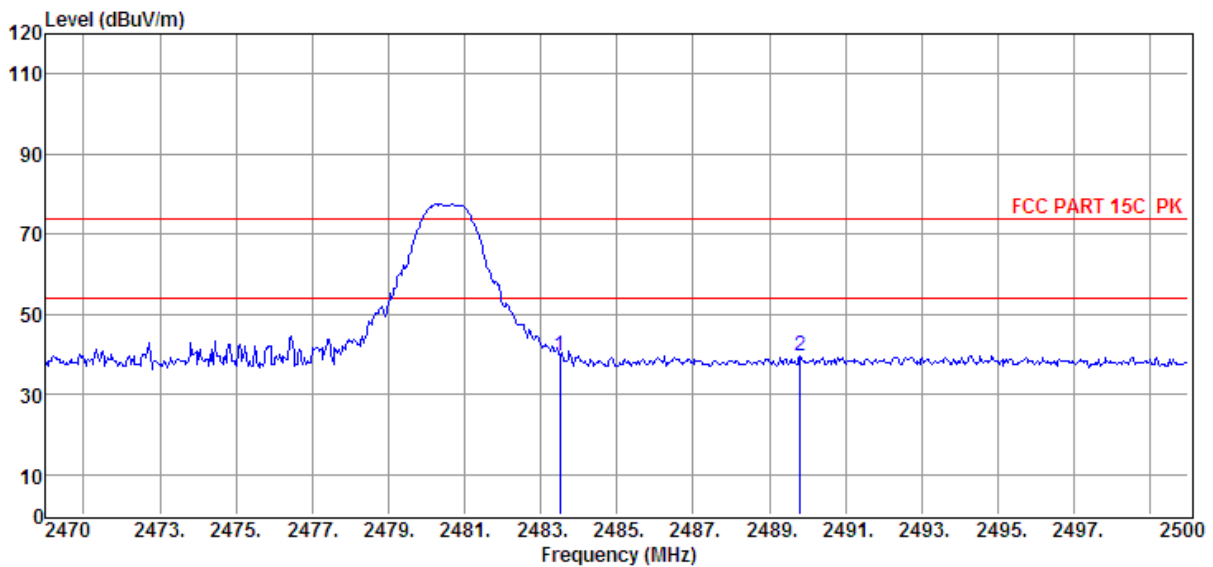
Item (Mark)	Freq. (MHz)	Read Level (dBμV)	Antenna Factor (dB/m)	PRM Factor (dB)	Cable Loss (dB)	Result Level (dBμV/m)	Limit Line (dBμV/m)	Over Limit (dB)	Detector	Polarization
1	2361.00	40.50	26.90	29.35	5.08	43.13	74.00	-30.87	Peak	HORIZONTAL
2	2390.00	43.20	27.00	29.42	5.11	45.89	74.00	-28.11	Peak	HORIZONTAL

- Note: 1. Result Level = Read Level + Antenna Factor + Cable loss - PRM Factor.  
 2. If Peak Result complies with AV limit, AV Result is deemed to comply with AV limit.  
 3. Test setup: RBW: 1 MHz, VBW: 3 MHz, Sweep time: auto.

# TR-4-E-009 Radiated Emission Test Result

**Test Site** : DDT 3m Chamber 1# D:\2017 RE1# Report Data\Q17122706-1E\Q17122706-1E  
FCC 1G-18G.EM6  
**Test Date** : 2018-01-08 **Tested By** : TALENT  
**EUT** : Bluetooth Contriller **Model Number** : T1D  
**Power Supply** : Battery **Test Mode** : TX mode  
**Condition** : Temp:24.5°C,Humi:55%,  
Press:100.1kPa **Antenna/Distance** : 2017 HF907/3m/HORIZONTAL  
**Memo** : 2480

Data: 9



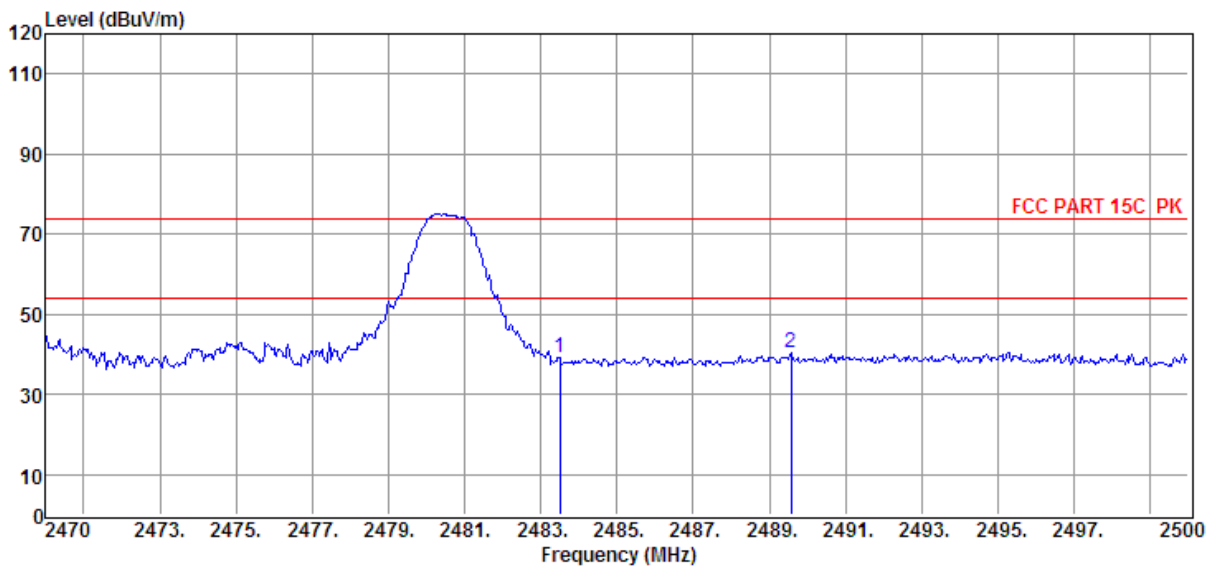
Item (Mark)	Freq. (MHz)	Read Level (dBμV)	Antenna Factor (dB/m)	PRM Facto r dB	Cable Loss dB	Result Level (dBμV/m)	Limit Line (dBμV/m)	Over Limit (dB)	Detector	Polarization
1	2483.50	36.59	27.34	29.71	5.21	39.43	74.00	-34.57	Peak	HORIZONTAL
2	2489.80	36.65	27.36	29.71	5.22	39.52	74.00	-34.48	Peak	HORIZONTAL

- Note: 1. Result Level = Read Level + Antenna Factor + Cable loss - PRM Factor.  
 2. If Peak Result complies with AV limit, AV Result is deemed to comply with AV limit.  
 3. Test setup: RBW: 1 MHz, VBW: 3 MHz, Sweep time: auto.

# TR-4-E-009 Radiated Emission Test Result

**Test Site** : DDT 3m Chamber 1# D:\2017 RE1# Report Data\Q17122706-1E\Q17122706-1E  
FCC 1G-18G.EM6  
**Test Date** : 2018-01-08 **Tested By** : TALENT  
**EUT** : Bluetooth Contriller **Model Number** : T1D  
**Power Supply** : Battery **Test Mode** : TX mode  
**Condition** : Temp:24.5°C,Humi:55%,  
Press:100.1kPa **Antenna/Distance** : 2017 HF907/3m/VERTICAL  
**Memo** : 2480

Data: 10

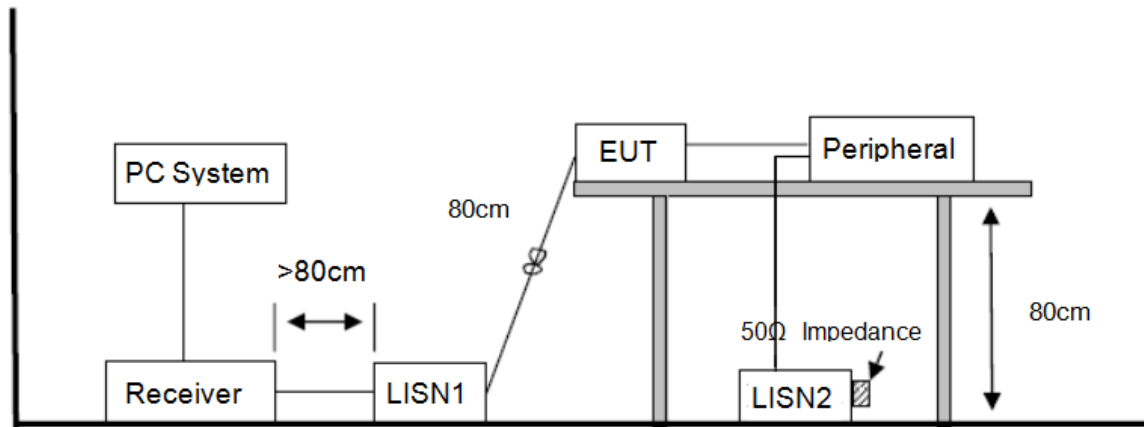


Item (Mark)	Freq. (MHz)	Read Level (dBμV)	Antenna Factor (dB/m)	PRM Factor dB	Cable Loss dB	Result Level (dBμV/m)	Limit Line (dBμV/m)	Over Limit (dB)	Detector	Polarization
1	2483.50	36.16	27.34	29.71	5.21	39.00	74.00	-35.00	Peak	VERTICAL
2	2489.56	37.58	27.36	29.71	5.22	40.45	74.00	-33.55	Peak	VERTICAL

- Note: 1. Result Level = Read Level + Antenna Factor + Cable loss - PRM Factor.  
 2. If Peak Result complies with AV limit, AV Result is deemed to comply with AV limit.  
 3. Test setup: RBW: 1 MHz, VBW: 3 MHz, Sweep time: auto.

## 10. Power Line Conducted Emission

### 10.1. Block diagram of test setup



### 10.2. Power Line Conducted Emission Limits

Frequency	Quasi-Peak Level dB( $\mu$ V)	Average Level dB( $\mu$ V)
150kHz ~ 500kHz	66 ~ 56*	56 ~ 46*
500kHz ~ 5MHz	56	46
5MHz ~ 30MHz	60	50

Note 1: \* Decreasing linearly with logarithm of frequency.

Note 2: The lower limit shall apply at the transition frequencies.

### 10.3. Test Procedure

The EUT and Support equipment, if needed, were put placed on a non-metallic table, 80cm above the ground plane.

Configuration EUT to simulate typical usage as described in clause 2.4 and test equipment as described in clause 10.2 of this report.

All I/O cables were positioned to simulate typical actual usage as per ANSI C63.10.

All support equipment power received from a second LISN.

Emissions were measured on each current carrying line of the EUT using an EMI Test Receiver connected to the LISN powering the EUT.

The Receiver scanned from 150 kHz to 30MHz for emissions in each of the test modes.

During the above scans, the emissions were maximized by cable manipulation.

The test mode(s) described in clause 2.4 were scanned during the preliminary test.

After the preliminary scan, we found the test mode producing the highest emission level.

The EUT configuration and worse cable configuration of the above highest emission levels were

recorded for reference of the final test.

EUT and support equipment were set up on the test bench as per the configuration with highest emission level in the preliminary test.

A scan was taken on both power lines, Neutral and Line, recording at least the six highest emissions.

Emission frequency and amplitude were recorded into a computer in which correction factors were used to calculate the emission level and compare reading to the applicable limit.

The test data of the worst-case condition(s) was recorded.

The bandwidth of test receiver is set at 9 KHz.

#### **10.4. Test Result**

##### **PASS. (See below detailed test result)**

Note1: All emissions not reported below are too low against the prescribed limits.

Note2: "----" means Peak detection; "----" means Average detection

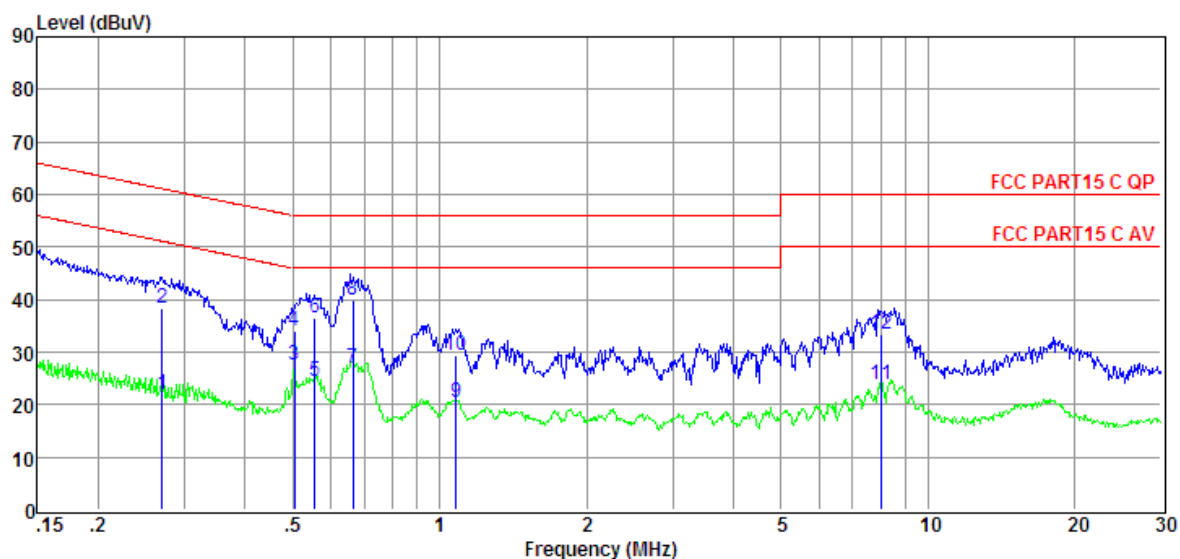
Note3: Pre-test AC conducted emission at both voltage AC 120V/60Hz and AC 240V/50Hz, recorded worst case (AC 120V/60Hz).



## TR-4-E-010 Conducted Emission Test Result

**Test Site** : DDT 1# Shield Room  
**Test Date** : 2018-01-08  
**EUT** : Bluetooth Controller  
**Power Supply** : AC 120V/60Hz  
**Condition** : Temp:24.5°C,Humi:55%,  
 Press:100.1kPa  
**Memo** :

**E:\2017 CE report data\Q17122706-1E\CE.EM6**  
**Tested By** : Xian  
**Model Number** : T1d  
**Test Mode** : Tx mode  
**LISN** : 2017 ENV216/LINE



Item (Mark)	Freq. (MHz)	Read Level (dBμV)	LISN Factor (dB)	Cable Loss (dB)	Pulse Limiter Factor (dB)	Result Level (dBμV)	Limit Line (dBμV)	Over Limit (dB)	Detector	Phase
1	0.27	2.53	9.52	0.04	9.86	21.95	51.12	-29.17	Average	LINE
2	0.27	18.90	9.52	0.04	9.86	38.32	61.12	-22.80	QP	LINE
3	0.50	8.22	9.54	0.04	9.80	27.60	46.00	-18.40	Average	LINE
4	0.50	14.65	9.54	0.04	9.80	34.03	56.00	-21.97	QP	LINE
5	0.56	5.13	9.55	0.06	9.82	24.56	46.00	-21.44	Average	LINE
6	0.56	17.07	9.55	0.06	9.82	36.50	56.00	-19.50	QP	LINE
7	0.66	7.45	9.55	0.08	9.85	26.93	46.00	-19.07	Average	LINE
8	0.66	20.33	9.55	0.08	9.85	39.81	56.00	-16.19	QP	LINE
9	1.08	0.97	9.57	0.14	9.86	20.54	46.00	-25.46	Average	LINE
10	1.08	9.77	9.57	0.14	9.86	29.34	56.00	-26.66	QP	LINE
11	8.02	4.22	9.75	0.11	9.88	23.96	50.00	-26.04	Average	LINE
12	8.02	13.61	9.75	0.11	9.88	33.35	60.00	-26.65	QP	LINE

Note: 1. Result Level = Read Level + LISN Factor + Pulse Limiter Factor + Cable loss.

2. If QP Result complies with AV limit, AV Result is deemed to comply with AV limit.

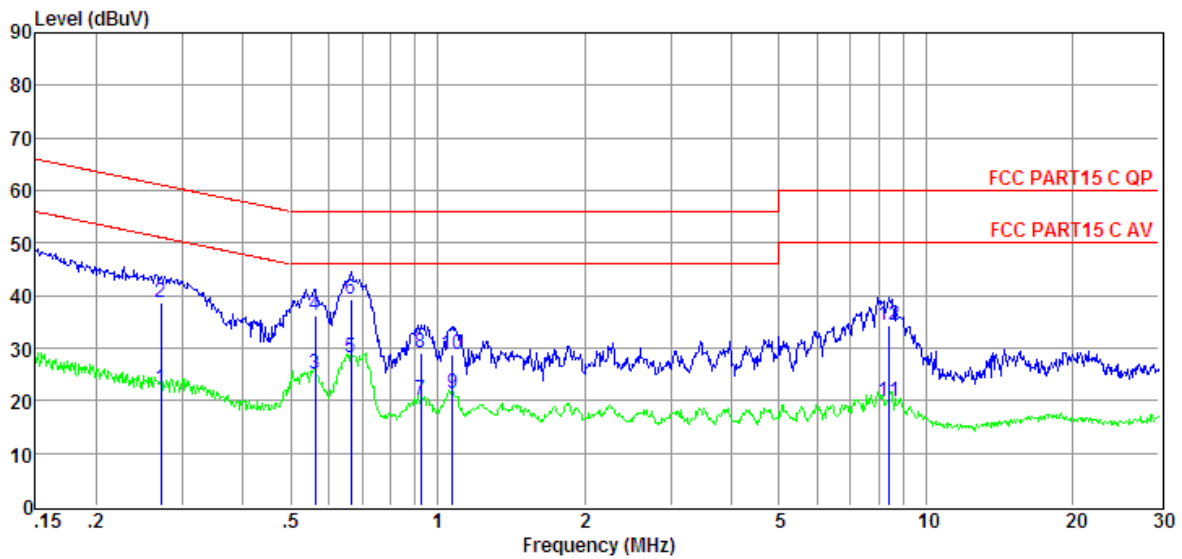
3. Test setup: RBW: 200 Hz (9 kHz—150 kHz), 9 kHz (150 kHz—30 MHz).

4. Step size: 80Hz (0.009MHz-0.15MHz), 4 kHz (0.15MHz-30MHz), Scan time: auto.

# TR-4-E-010 Conducted Emission Test Result

**Test Site** : DDT 1# Shield Room E:\2017 CE report data\Q17122706-1E\CE.EM6  
**Test Date** : 2018-01-08 **Tested By** : Xian  
**EUT** : Bluetooth Controller **Model Number** : T1d  
**Power Supply** : AC 120V/60Hz **Test Mode** : Tx mode  
**Condition** : Temp:24.5°C,Humi:55%,  
**LISN** : 2017 ENV216/NEUTRAL  
Press:100.1kPa  
**Memo** :

Data: 12



Item (Mark)	Freq. (MHz)	Read Level (dBμV)	LISN Factor (dB)	Cable Loss (dB)	Pulse Limiter Factor (dB)	Result Level (dBμV)	Limit Line (dBμV)	Over Limit (dB)	Detector	Phase
1	0.27	2.93	9.41	0.04	9.86	22.24	51.07	-28.83	Average	NEUTRAL
2	0.27	19.47	9.41	0.04	9.86	38.78	61.07	-22.29	QP	NEUTRAL
3	0.56	5.92	9.34	0.06	9.82	25.14	46.00	-20.86	Average	NEUTRAL
4	0.56	16.90	9.34	0.06	9.82	36.12	56.00	-19.88	QP	NEUTRAL
5	0.66	9.03	9.32	0.08	9.85	28.28	46.00	-17.72	Average	NEUTRAL
6	0.66	20.10	9.32	0.08	9.85	39.35	56.00	-16.65	QP	NEUTRAL
7	0.92	0.81	9.30	0.13	9.86	20.10	46.00	-25.90	Average	NEUTRAL
8	0.92	9.82	9.30	0.13	9.86	29.11	56.00	-26.89	QP	NEUTRAL
9	1.07	1.99	9.30	0.14	9.86	21.29	46.00	-24.71	Average	NEUTRAL
10	1.07	9.40	9.30	0.14	9.86	28.70	56.00	-27.30	QP	NEUTRAL
11	8.41	0.50	9.38	0.12	9.89	19.89	50.00	-30.11	Average	NEUTRAL
12	8.41	14.91	9.38	0.12	9.89	34.30	60.00	-25.70	QP	NEUTRAL

- Note: 1. Result Level = Read Level + LISN Factor + Pulse Limiter Factor + Cable loss.  
 2. If QP Result complies with AV limit, AV Result is deemed to comply with AV limit.  
 3. Test setup: RBW: 200 Hz (9 kHz—150 kHz), 9 kHz (150 kHz—30 MHz).  
 4. Step size: 80Hz (0.009MHz-0.15MHz), 4 kHz (0.15MHz-30MHz), Scan time: auto.

## **11. Antenna Requirements**

### **11.1. Limit**

For intentional device, according to FCC 47 CFR Section 15.203, an intentional radiator shall be designed to ensure that no antenna other than that furnished by the responsible party shall be used with the device. And according to FCC 47 CFR Section 15.247 (b), if transmitting antennas of directional gain greater than 6dBi are used, the power shall be reduced by the amount in dB that the directional gain of the antenna exceeds 6dBi.

### **11.2. Result**

The antennas used for this product is integrated antenna and that no antenna other than that furnished by the responsible party shall be used with the device, the maximum peak gain of the transmit antenna is only 2.26dBi.

**END OF REPORT**