

Gaming is winning.™



GameSir X2 Bluetooth

Mobile Gaming Controller

User Manual ►

SYSTEM REQUIREMENTS

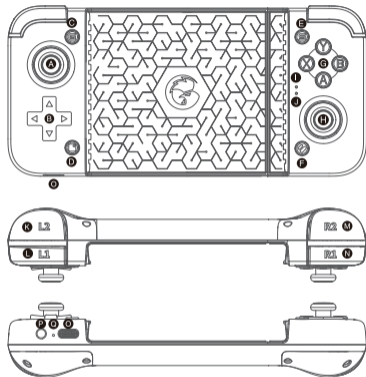
HARDWARE REQUIREMENTS

- The phone body length is less than 173mm

OPERATING SYSTEMS

- Android 9.0, iOS 13 or Above

EQUIPMENT LAYOUT



- | | | | |
|----------------------------|------------------------------------|-------------------------------|----------------------|
| A Left joystick | F Turbo button | K L2 button | P HOME button |
| B D-Pad | G ABXY button | L L1 button | Q Reset |
| C G button | H Right joystick | M R2 button | |
| D Screenshot button | I Connection mode indicator | N R1 button | |
| E S button | J Charge indicator | O Type-C charging port | |

CHARGE THE GAMEPAD

Charge the gamepad through the Type C port at the bottom of the gamepad with a USB Type C cable.

LEARN ABOUT CHARGING TIPS

Charging status indicator	Explanation
Steady green	In Use
Steady red	Battery Low
Flashing green	Charging
Steady green	Fully charged / Battery Full

INSTALL THE PHONE

- 1.Align the phone to the left side of the Gamepad and insert it obliquely.
- 2.Pull the right side of the gamepad and install the phone into the fixed position of the Gamepad.

DETACH THE PHONE

Hold the left side of the gamepad and the phone, and gently pull the right side of the gamepad to easily detach the phone.

CONNECT TO YOUR PHONE VIA BLUETOOTH

Play Android controller-supported games

Mobile game that supports using a controller to play.

- 1.Long press A +HOME button until the gamepad turned on.
- 2.Turn on your Phone Bluetooth, search for the "**Gamesir-X2**" gamepad, click and Pair.
- 3.When connecting next time, long press the home key to turn on the Gamepad, and the Gamepad will connect automatically.

Note: If the controller switches to other modes, you need to turn off the controller and then use the key combination to pair with the Android phone, turn on the Bluetooth of the phone, search for the "**GameSir-X2**" game controller, click and pair.

If the Android phone ignores/cancels the Gamepad Bluetooth pairing or connects to a new Android phone, you need to press and hold the G + S button for 5 seconds, the gamepad will re-pair with the Android phone after automatic restart, turn on the phone Bluetooth, and search for "**GameSir-X2**" gamepad, click and pair.

Connection mode indicator	Explanation
Blue Flashing	Connecting
Blue Flashing Fast	Pairing
Blue normally on	Connected

Play Apple arcade games and MFi games

Apple mobile game that supports using a controller to play.

- 1.Long press B +HOME button until the gamepad is turned on.
- 2.Turn on your phone Bluetooth, search for the "**Xbox Wireless Controller**" gamepad, click and pair.
- 3.When connecting next time, long press the home key to turn on the Gamepad, and the gamepad will connect automatically.

Note: If the controller switches to other modes, you need to turn off the controller and then use the key combination to pair with the iPhone. Turn on the Phone Bluetooth, search for the "**Xbox Wireless Controller**" gamepad, click and pair.

If iPhone ignores/cancels the Gamepad Bluetooth pairing or connects to a new iPhone, you need to press and hold the G + S button for 5 seconds, the gamepad will re-pair with the iPhone after automatic restart. Turn on Bluetooth of iPhone, search "**Xbox Wireless Controller**", click and pair.

Connection mode indicator	Explanation
Purple flashing	Connecting
Purple flashing fast	Pairing
Purple normally on	Connected

USE G-TOUCH TO PLAY GAMES THAT DO NOT SUPPORT USING A CONTROLLER ON APPLE DEVICES

System requirements: iOS12 or above – iOS13.4 or below.
Scan the QR code below to download and install the GameSir app.



1. Long press the G + HOME Button until the Gamepad turned on.
2. Turn on Bluetooth and search "**Gamesir-X2_G**" gamepad, click and pair.
3. Enter the GameSir app, click on the "device" page to expand the drop-down menu in the upper left corner, select the "GameSir-x2" gamepad, and click "connect now"
4. After the gamepad is connected successfully, enter the corresponding gamepad page, click the "G-Touch" icon to find the corresponding game icon, and click "Configuration" to enter the configuration interface.
5. In the configuration list, select "official" configuration, select the corresponding phone model, click "save and start" to enter the game.

Note: If the controller switches to other modes, you need to turn off the controller and then use the key combination to pair with the iPhone. Turn on the Phone Bluetooth, search for the "**Gamesir-X2_G**" gamepad, click and pair.

If iPhone ignores/cancels the Gamepad Bluetooth pairing or connects to a new iPhone, you need to press and hold the G + S button for 5 seconds. the gamepad will re-pair with the iPhone after automatic restart. Turn on Bluetooth of iPhone, search for "**Gamesir-X2_G**" gamepad, click and pair.

Connection mode indicator	Explanation
Light blue flashing	Connecting
Light blue flashing fast	Pairing
Light blue always on	Connected

USE G-TOUCH TO PLAY GAMES THAT DO NOT SUPPORT USING A CONTROLLER ON ANDROID PHONES.

System requirements: Android system 9.0 or above.
Scan the QR code below to download and install the GameSir app.



1. Long press the G + Home button until the gamepad is powered on.
2. Turn on the phone Bluetooth and search "**Gamesir-X2_G**" gamepad, click and pair.
3. Enter the GameSir app, click on the "Device" page to expand the drop-down menu in the upper left corner, select the "GameSir-X2" Gamepad, and click "Connect now"
4. After the gamepad is successfully connected, enter the corresponding gamepad page, click "Add Game", find the corresponding game icon, and click to enter the game.
5. After entering the game, Find and click the hover window (the permission of the hover window should be enabled), and click "Recommended Configuration" to use the official configuration.

Note: If the controller switches to other modes, you need to turn off the controller and then use the key combination to pair with the Android phone, turn on the Bluetooth of the phone, search for the "**Gamesir-X2_G**" gamepad, click and pair.

If the Android phone ignores/cancels the Gamepad Bluetooth pairing or connects to a new Android phone, you need to press and hold the G + S button for 5 seconds. , the gamepad will re-pair with the Android phone after automatic restart, turn on the phone Bluetooth, and search for "**Gamesir-X2_G**" gamepad, click and pair.

Connection mode indicator	Explanation
Light blue flashing	Connecting
Light blue flashing fast	Pairing
Light blue always on	Connected

SCREENSHOT AND KEY COMBINATION FUNCTION

step	Description
Screenshot key	Screenshot function can be realized on some Android phones
S key + D-pad up and down	The system volume control can be realized on some Android phones

TURBO COMBO FUNCTION

Combo frequency	Set/cancel Combo	Indicator light description
Achieve fast attacks in the game	Long press the button that needs to be used to trigger a combo, then press the Turbo button. G + D-Pad up and down will uniformly increase/decrease the combo frequency of the buttons with the combo function set. Editable buttons: A,B,X,Y,L1,R1,L2,R2	Slow : ①+① green for 2 seconds Mid-range : ①+① orange for 2 seconds Fast : ①+① red for 2 seconds

POWER OFF

Long press the home button until the gamepad shut down .

AUTO SLEEP MODE

When the Gamepad is in the normal wireless connection state, it will automatically go into sleep mode within 600 seconds without operation.

When the Gamepad is not connected, it will automatically go into sleep mode sleep within 120 seconds without operation.

While the gamepad is in Auto sleep mode, Press the HOME button until it returns to normal mode and the device is connected.

ONLINE TUTORIAL

To learn more about Android controller-supported games, Apple arcade games, and how to configure and use the GameSir X2 Bluetooth version, Please scan the following QR code or refer to the online advanced user's guide at (<https://www.gamesir.hk/pages/x2-bluetooth-help>)



⚠ NOTICE Please read this Precautions carefully.

FCC Caution.

(1)§ 15.19 Labelling requirements.

This device complies with part 15 of the FCC Rules. Operation is subject to the following two conditions: (1) This device may not cause harmful interference, and (2) this device must accept any interference received, including interference that may cause undesired operation.

§ 15.21 Changes or modification warning

Any Changes or modifications not expressly approved by the party responsible for compliance could void the user's authority to operate the equipment.

§ 15.105 Information to the user.

Note: This equipment has been tested and found to comply with the limits for a Class B digital device, pursuant to part 15 of the FCC Rules. These limits are designed to provide reasonable protection against harmful interference in a residential installation. This equipment generates uses and can radiate radio frequency energy and, if not installed and used in accordance with the instructions, may cause harmful interference to radio communications. However, there is no guarantee that interference will not occur in a particular installation. If this equipment does cause harmful interference to radio or television reception, which can be determined by turning the equipment off and on, the user is encouraged to try to correct the interference by one or more of the following measures:

-Reorient or relocate the receiving antenna.

-Increase the separation between the equipment and receiver.

-Connect the equipment into an outlet on a circuit different from that to which the receiver is connected.

-Consult the dealer or an experienced radio/TV technician for help.