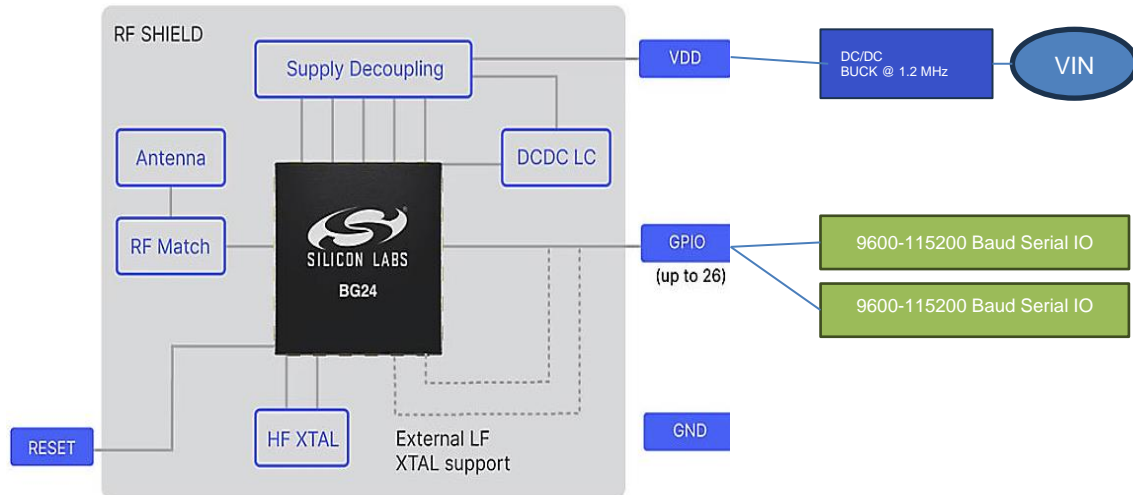


## BluKey Plus S / SD Frequency Diagram



HF XTAL = 39.000 MHz +/-42 ppm max over temperature and setpoint

LF XTAL = 32.768kHz

BG24 2 Fractional-N Frequency Synthesizer resolution error < 100 Hz.

IF frequency is configurable from 150 kHz to 1371 kHz

HFRCO: configurable from 1 – 78 MHz

FSRCO = 20 MHz

The highest intentionally generated frequency is the highest RF channel

<https://www.silabs.com/documents/public/data-sheets/efr32bg24-datasheet.pdf>

The DC/DC converter of the SoC is not used.

Serial IO Bauds are generated from the HF XTAL

The only other frequency source on the product is the DC/DC converter U8 that supplies VDD. It operates at 1.2MHz.