



Blink XT2 Setup Guide



Start
Here

Thank you for purchasing the Blink XT2!

You can install the Blink XT2 in three easy steps:

1. Download the Blink Home Monitor App
2. Connect your sync module
3. Add your camera(s)

To install your camera or system, you can:

- a) Follow the in-app instructions as directed.
- b) Follow the steps listed in this guide.
- c) Visit support.blinkforhome.com for our in-depth setup guide and troubleshooting information.

How to get started:

- If you're adding a new system, go to Step 1 on page 3 for instructions on how to add your system.
- If you're adding a camera to an existing system, go to step 3 on page 4 for instructions on how to add your camera(s).
- Before you begin, please make sure you have the following minimum requirements:
 - Smartphone or tablet running iOS 10.3 or later, or Android 5.0 or later
 - Home WiFi Network (2.4GHz only)
 - Internet access with upload speed of at least 2 Mbps

Step 1: Download the Blink Home Monitor App

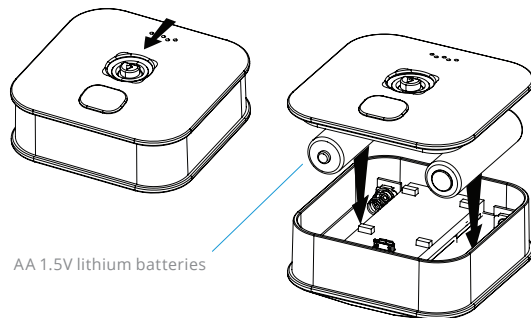
- a) Download and launch the Blink Home Monitor App on your phone or tablet through the Apple App Store, Google Play Store, or Amazon App Store.
- b) Create a new Blink account.

Step 2: Connect Your Sync Module

- a) In your app, select “Add a System”.
- b) Follow the in-app instructions to complete sync module setup.

Step 3: Add Your Camera(s)

- a) In your app, select “Add a Blink Device” and choose your camera.
- b) Remove the camera back cover by sliding the latch in the center of the back downward and simultaneously pull off back cover.
- c) Insert included 2 AA 1.5V non-rechargeable lithium metal batteries.
- d) Follow the in-app instructions to complete setup.



If you are experiencing trouble:

Or need help with your Blink XT2 or other Blink products, please visit support.blinkforhome.com for systems instructions and videos, troubleshooting information, and a link to contact us directly for support.

You can also visit our Blink Community at www.community.blinkforhome.com to interact with other Blink users and share your video clips.

Important Product Information:

Safety and Compliance Information Use Responsibly.

Read all instructions and safety information before use.



WARNING: FAILURE TO READ AND FOLLOW THESE SAFETY INSTRUCTIONS COULD RESULT IN FIRE, ELECTRIC SHOCK, OR OTHER INJURY OR DAMAGE

Important Safeguards:

Lithium Battery Safety Information

The Lithium batteries accompanying this device cannot be recharged. Do not open, disassemble, bend, deform, puncture, or shred the battery. Do not modify, attempt to insert foreign objects into the battery or immerse or expose to water or other liquids. Do not expose the battery to fire, explosion or other hazard. Promptly dispose of used batteries in accordance with applicable laws and regulations. If dropped and you suspect damage, take steps to prevent any ingestion or direct contact of fluids and any other materials from the battery with skin or clothes.

If a battery leaks, remove all batteries and recycle or dispose of them in accordance with battery manufacturer's recommendations. If fluid from the battery comes into contact with skin or clothes, flush with water immediately.

Insert the batteries in the proper direction as indicated by positive (+) and negative (-) markings in battery compartment. It is highly recommended to use Lithium

batteries with this product. Do not mix used and new batteries or batteries of different types (for example, Lithium and alkaline batteries). Always remove old, weak, or worn-out batteries promptly and recycle or dispose of them in accordance with Local and national disposal regulations.

Other Safety and Maintenance Considerations

1. Your Blink XT2 can withstand outdoor use and contact with water under certain conditions. However, Blink XT2 is not intended for underwater use and may experience temporary effects from exposure to water. Do not intentionally immerse your Blink XT2 in water or expose it to liquids. Do not spill any food, oil, lotion, or other abrasive substances on your Blink XT2. Do not expose your Blink XT2 to pressurized water, high velocity water, or extremely humid conditions (such as a steam room).
2. To protect against electric shock, do not place cord, plug, or device in water or other liquids.
3. Your Sync Module is shipped with an AC adapter. Your Sync Module should only be used with the AC power adapter and USB cable included in box. To reduce the

risk of fire or electric shock when using the AC adapter, carefully follow these instructions:

Do not force the power adapter into a power outlet.

Do not expose power adapter or its cable to liquids.

If the power adapter or cable appears damaged, discontinue use immediately.

Power adapter designed only for use with Blink devices.

4. Closely supervise children when the device is used by or near children.
5. Only use accessories that are recommended by the manufacturer. Use of third-party accessories may lead to damage of your device or accessory and may cause fire, electric shock, or injury.
6. To avoid risk of electric shock, do not touch your Sync Module or any wires connected to it during a lightning storm.
7. Sync module for indoor use only.

FCC Compliance Statement (USA)

This Device (including related accessories like the adapter) complies with part 15 of the FCC Rules. Operation is subject to the following two conditions: (1) such Device may not cause harmful interference, and (2) such Device must accept any interference received, including interference that may cause undesired operation.

The party responsible for FCC compliance is
[Amazon.com](#) Services, Inc.
410 Terry Ave North, Seattle, WA 98109 USA

If you wish to contact Blink please go to this link
www.blinkforhome.com/pages/contact-us

Device Name: Blink XT2 Model: BCM00200U

Product Specifications Blink XT2

Model Number: BCM00200U

Electrical Rating: 2 1.5V AA Single Use Lithium Metal batteries and optional USB 5V 1A external power supply

Operating Temperature: -4 to 113 degrees F

Product Specifications Sync Module

Model Number: BSM00203U

Electrical Rating: 100-240V 50/60 HZ 0.2A

Operating Temperature: 32 to 95 degrees F

Other Information

For additional safety, compliance, recycling, and other important information regarding your device, please refer to the Legal and Compliance section of the Settings menu on your device.

Product Disposal Information

Dispose of the product in accordance with Local and National Disposal Regulations. Changes or modifications not expressly approved by the party responsible for compliance could void the user's authority to operate the equipment.

Blink Terms & Policies

BEFORE USING THE BLINK DEVICE, PLEASE READ THE TERMS FOUND AT [HTTPS://BLINKFORHOME.COM/PAGES/BLINK-TERMS-WARRANTIES-AND-NOTICES](https://blinkforhome.com/pages/blink-terms-warranties-and-notice) AND ALL RULES AND POLICIES FOR THE DEVICE AND SERVICES RELATED TO THE DEVICE (INCLUDING, BUT NOT LIMITED TO, THE APPLICABLE BLINK PRIVACY NOTICE AND ANY APPLICABLE RULES OR USAGE PROVISIONS ACCESSIBLE THROUGH THE [HTTPS://BLINKFORHOME.COM/PAGES/BLINK-TERMS-WARRANTIES-AND-NOTICES](https://blinkforhome.com/pages/blink-terms-warranties-and-notice) WEBSITE OR THE BLINK APP (COLLECTIVELY, THE "AGREEMENTS"). BY USING THE BLINK DEVICE, YOU AGREE TO BE BOUND BY THE TERMS OF THE AGREEMENTS.

Your Blink device is covered by a one year Limited Warranty. Details are available at <https://blinkforhome.com/pages/blink-terms-warranties-and-notice>.