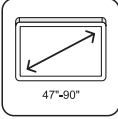






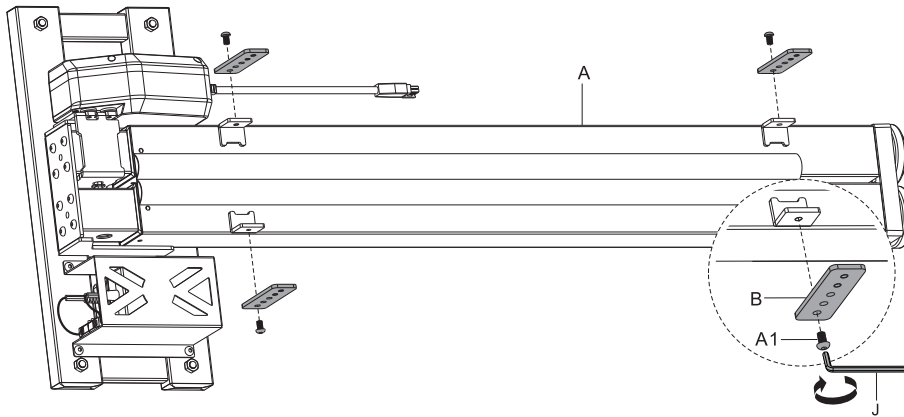
VISION

VFM-F30FRAME

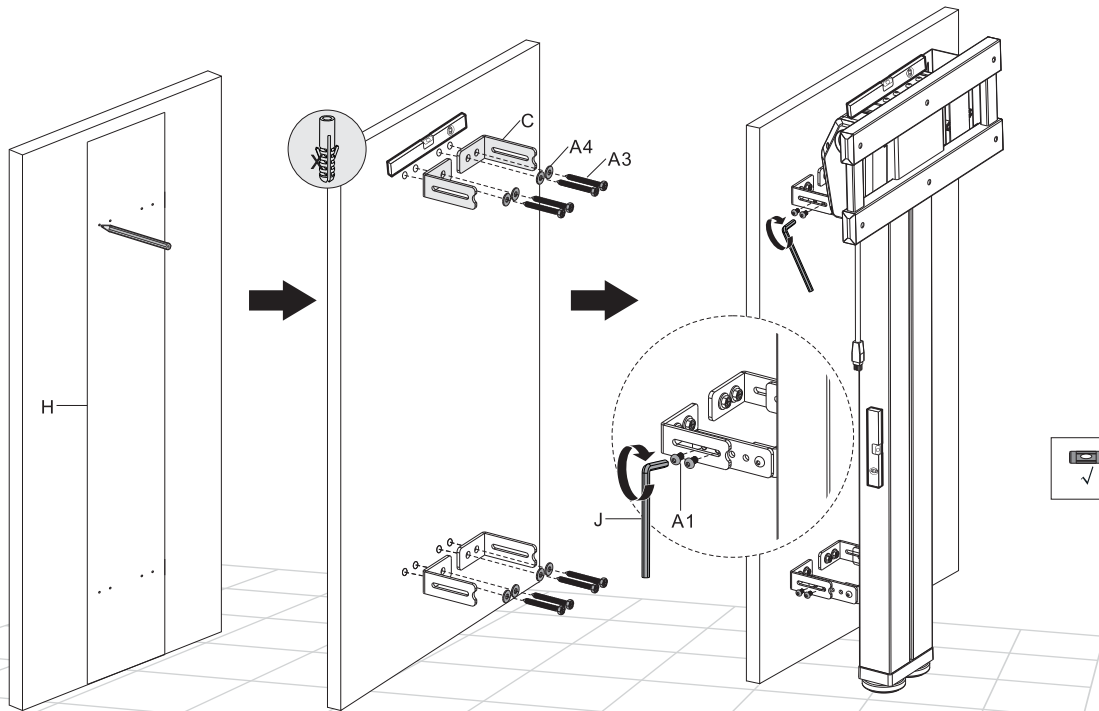


A1	M6x10		x12	A2	M8x35		x6
A3			x8	A4			x8

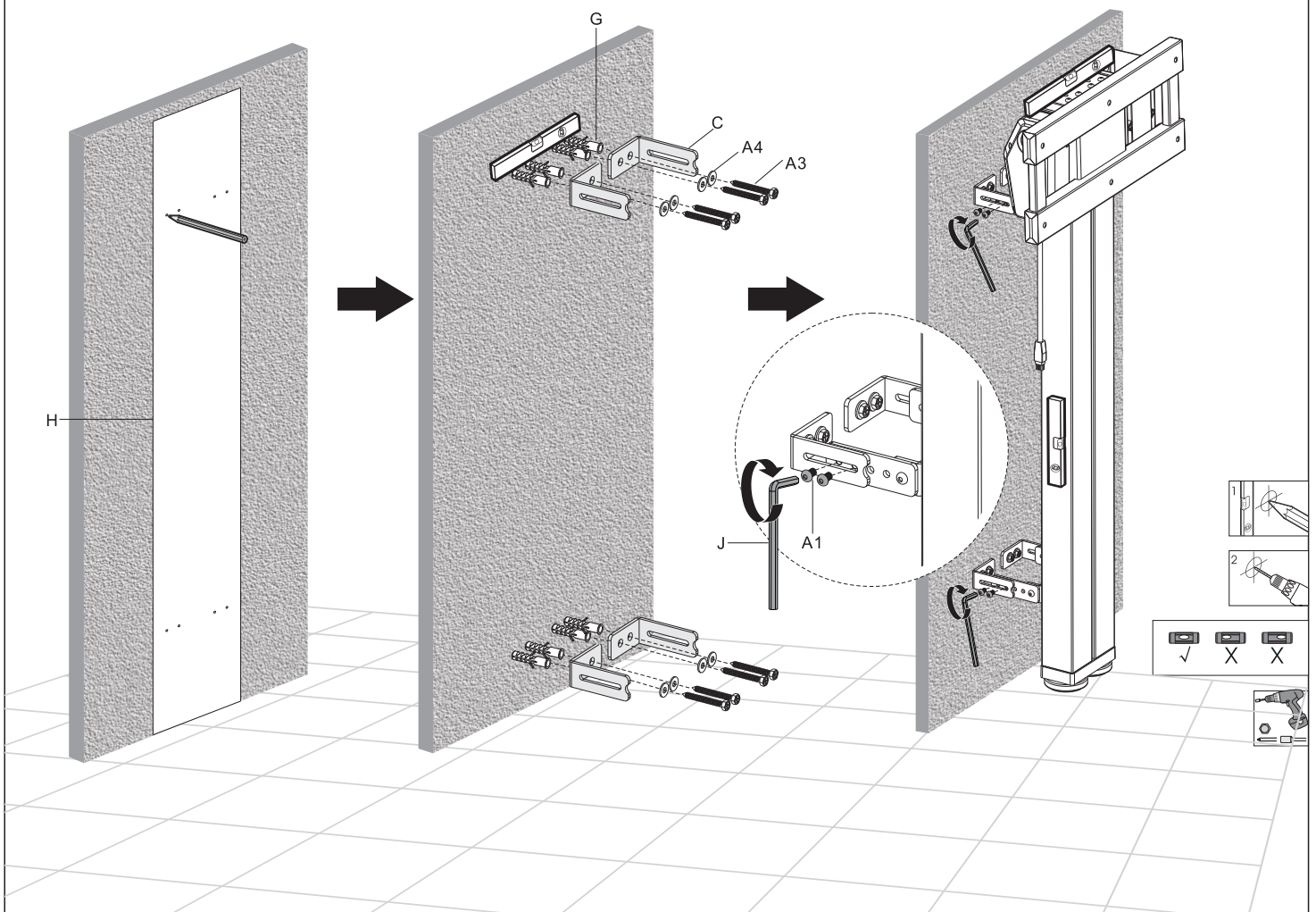
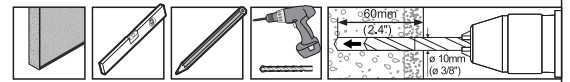
1.



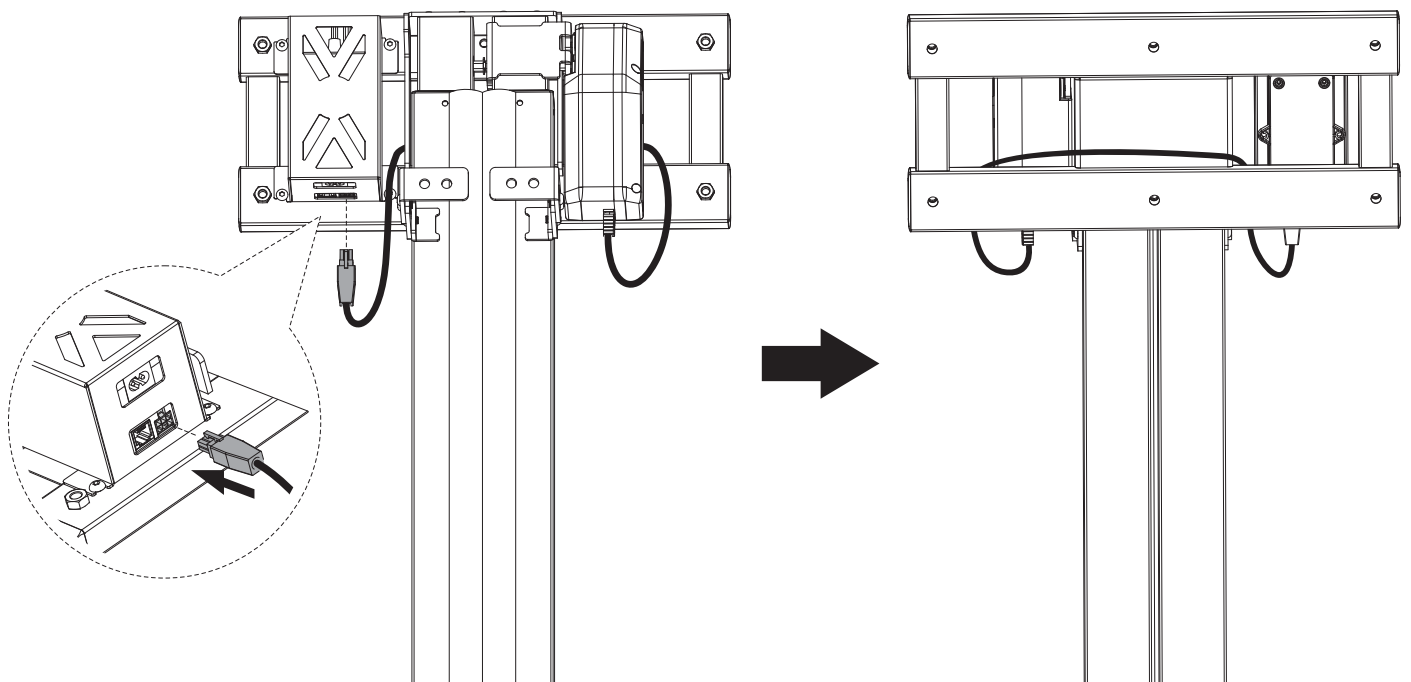
2a. Installed on timber walls.



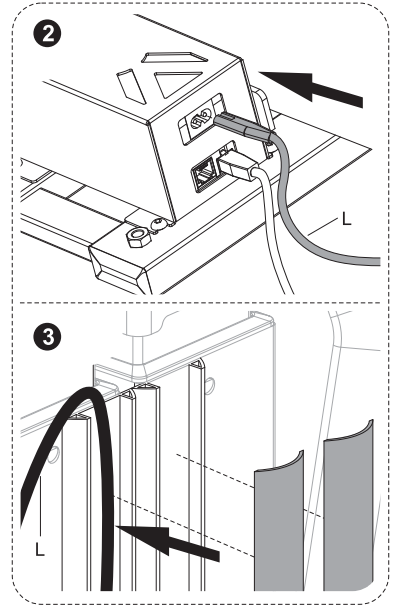
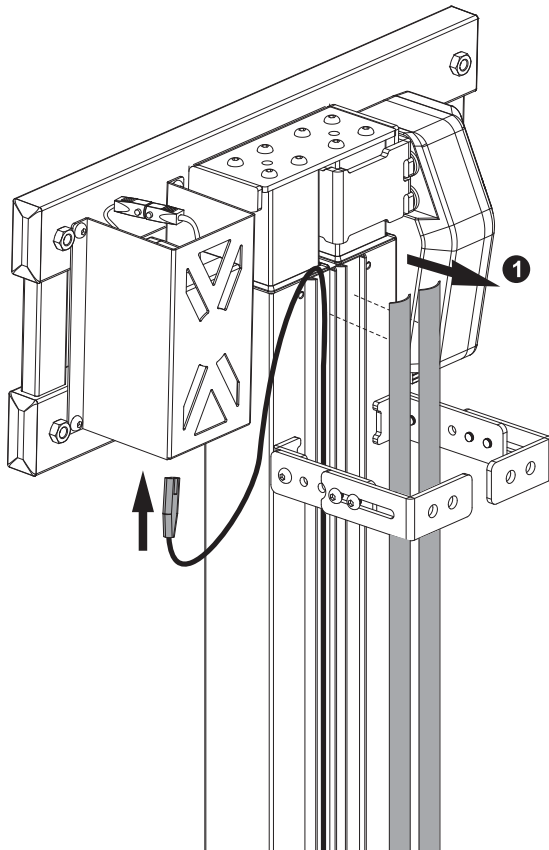
2b. Installed on solid concrete or masonry.



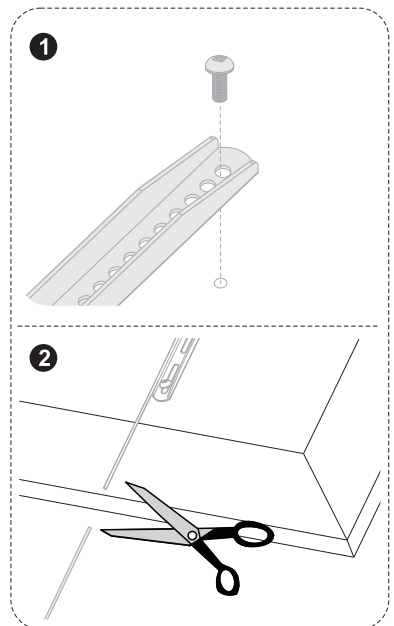
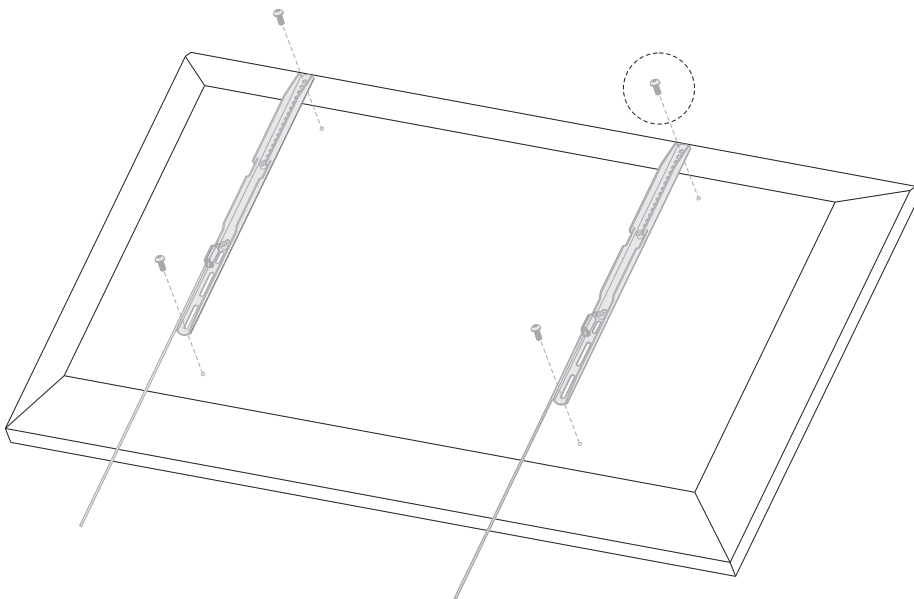
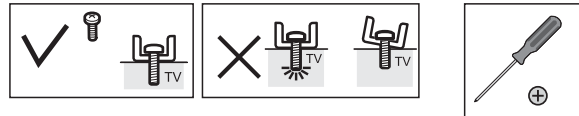
3.



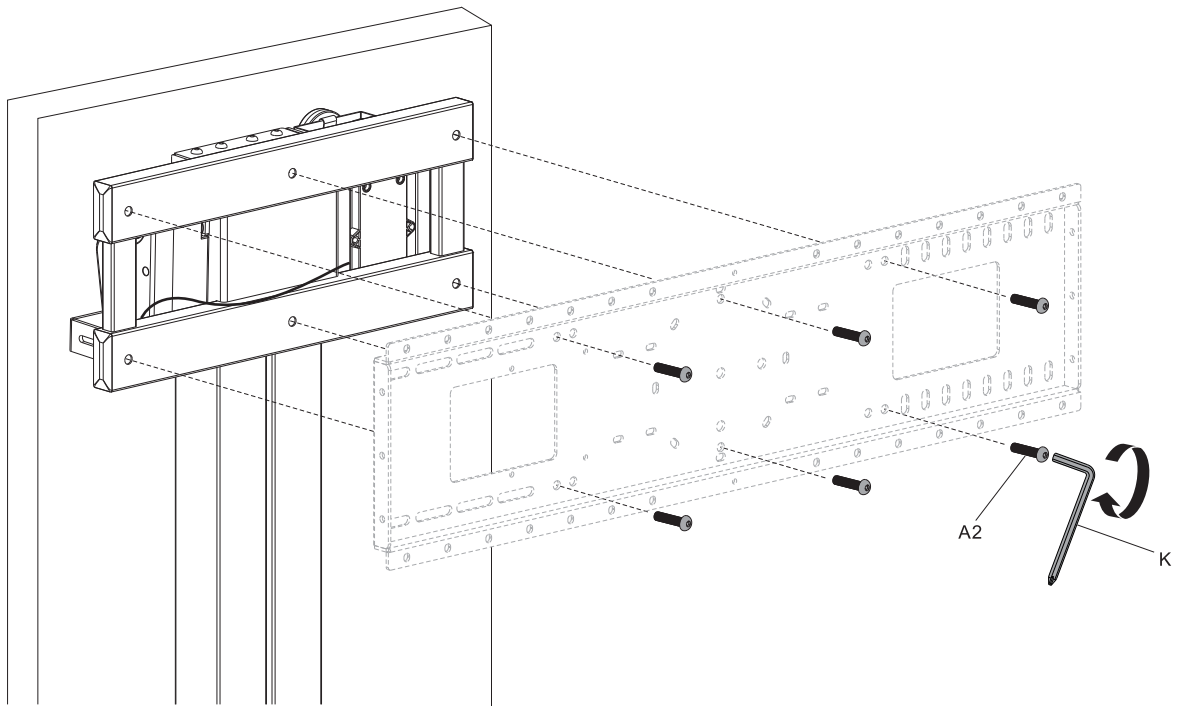
4.



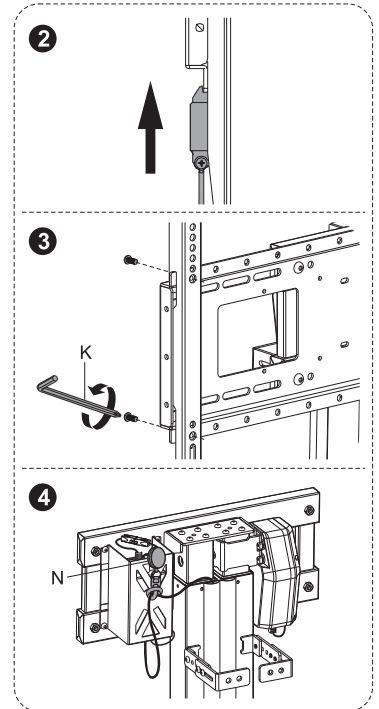
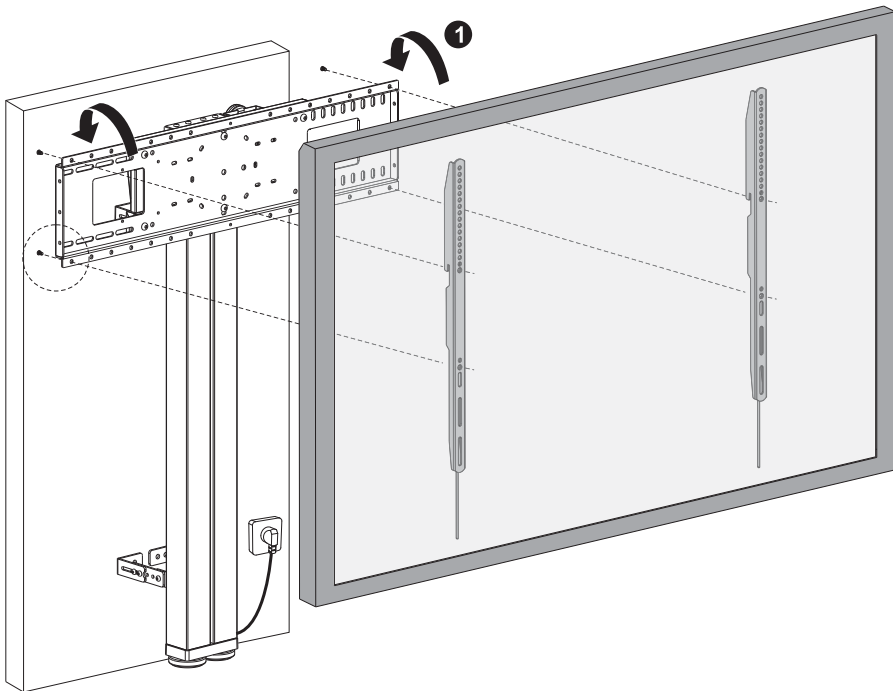
5.



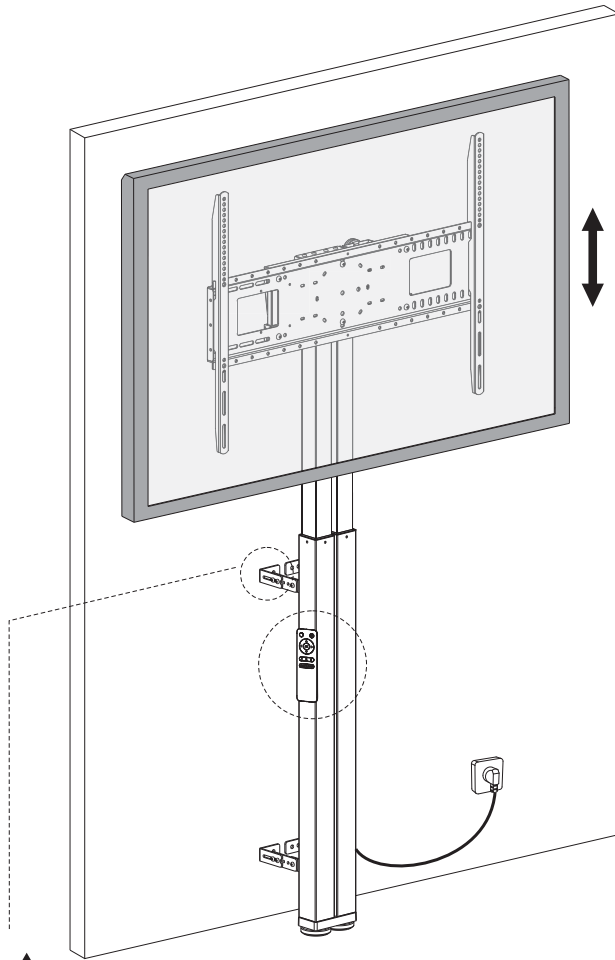
6.



7.



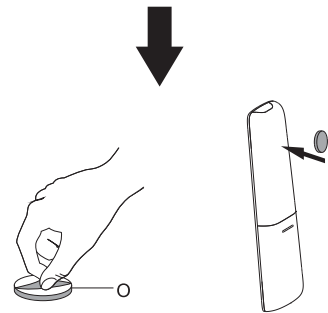
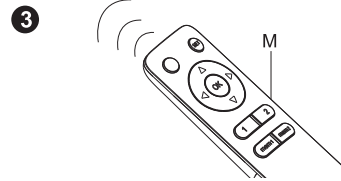
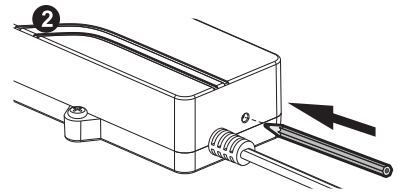
8.



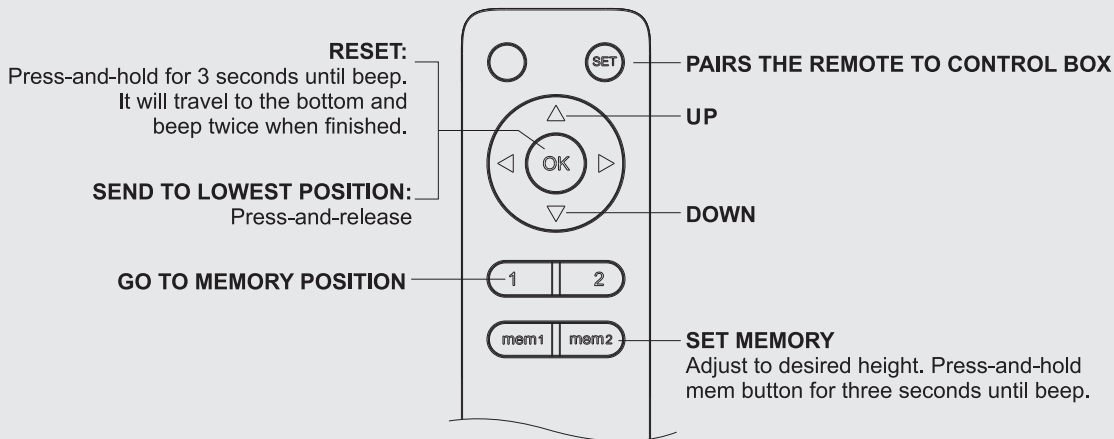
WARNING!

Ensure power cord is not tied to wall bracket before height adjustment.

1. Put batteries in remote.
 2. With power on, press and release button.
 3. Press "set" on remote. "beep,beep,beep"
- Note: To unpair hold down control box button for 10 seconds, "beep".



REMOTE CONTROL



⚠ WARNINGS

This product uses a very powerful motor to lift heavy displays. Read and understand this manual before installation.

- Failure to comply with the safety and installation instructions may cause serious bodily injury.
- This stand should only be operated by users over 18 years old.
- The stand should not be operated by persons under the influence of alcohol or recreational drugs.
- Use the correct safety equipment AND adhere to workplace health and safety laws.
- The SWL (safe working load) for the products this item is part of:
 - VFM-F30: 130 kg (286 lb)
 - VFM-F30/W: 110 kg (242 lb)
 - VFM-F30/WXL: 130 kg (286 lb)
 - VFM-F30/FP: 130 kg (286 lb)
- Ensure it is installed in an appropriate place – for example not obstructing an emergency exit.
- Check stability after installation. Ensure display is clipped into place securely.
- Installation must be done by a specialist audio-visual installer.
- Allow 500mm x 500mm space around the floorstand.
- Avoid installing in a moist environment, or in direct sunshine, or near corrosive gas or liquid.
- Routing of cables through the bracket must comply with local regulations.
- Use a memory position to set the upper limit, to prevent the display going into ceiling.

⚠ **ENSURE POWER CABLE IS NOT TWISTED, SQUEEZED, OR SHEARED. RISK OF ELECTRIC SHOCK.**

⚠ **USE EXTREME CARE LOWERING STAND. KEEP OBSTACLES WELL CLEAR. THE STAND MIGHT CRUSH A PERSON, OR THE DISPLAY COULD BECOME DISLODGED AND FALL ON A PERSON. SERIOUS INJURY MAY OCCUR.**

⚠ **IF LEFT UNATTENDED THE CONTROL SHOULD BE LEFT OUT OF REACH OF CHILDREN.**

All products are designed and imported into the EU by 'Vision' who is wholly owned by 'Azlan Logistics Ltd.', Registered in England Nr. 04625566 at Redwood 2, Chineham Park, Basingstoke RG24 8WQ. WEEE Registration:GD0046SY.

FCC Statement

This device complies with part 15 of the FCC rules. Operation is subject to the following two conditions: (1) this device may not cause harmful interference, and (2) this device must accept any interference received, including interference that may cause undesired operation.

Changes or modifications not expressly approved by the party responsible for compliance could void the user's authority to operate the equipment.

NOTE: This equipment has been tested and found to comply with the limits for a Class B digital device, pursuant to part 15 of the FCC Rules. These limits are designed to provide reasonable protection against harmful interference in a residential installation. This equipment generates uses and can radiate radio frequency energy and, if not installed and used in accordance with the instructions, may cause harmful interference to radio communications. However, there is no guarantee that interference will not occur in a particular installation. If this equipment does cause harmful interference to radio or television reception, which can be determined by turning the equipment off and on, the user is encouraged to try to correct the interference by one or more of the following measures:

- Reorient or relocate the receiving antenna.
- Increase the separation between the equipment and receiver.
- Connect the equipment into an outlet on a circuit different from that to which the receiver is connected.
- Consult the dealer or an experienced radio/TV technician for help.

The device has been evaluated to meet general RF exposure requirement. The device can be used in portable exposure condition without restriction.