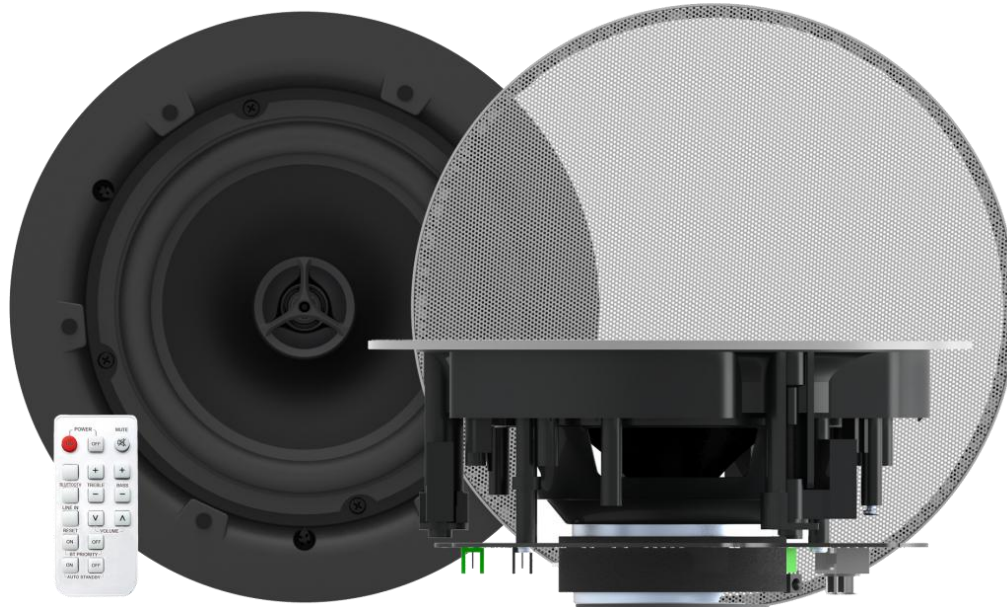


# CS-1800P PAIR 60W ACTIVE BLUETOOTH CEILING SPEAKERS

## Snapshot



- > Integrated 2 x 30 watt (RMS) amplifier
- > 1 x wired input / 1 x Bluetooth input
- > Can be daisy-chained
- > IR remote included

## Details



The CS-1800P are based on Vision's passive ceiling loudspeakers but have a powerful 60 watt amplifier built in to eliminate the need for an external amplifier. They are suited to meeting rooms and classrooms where a discrete audio solution is required.

Bluetooth 4.0 LTE

Connect directly from your phone or laptop wirelessly. Note: implementation of Bluetooth drivers on Windows computers is variable so they don't always work

### Rename Bluetooth

For environments where multiple pairs are used in close proximity the Bluetooth name of each set can be modified from an Android phone.

### *Auto-Switching*

You can choose to automatically change to the Bluetooth input when a device is paired, or manually switch when you are ready.

### Remote Control

A full range of options are presented on the IR remote control, including bass and treble adjustment.

### IR Front and Rear

Switch between the front IR receiver, or the rear IR receiver (if using a wired control system), or off.



### Master/Slave

Like Vision's other powered loudspeakers these are packaged and sold as a pair. The amplifier is housed in the "master" loudspeaker which has the connection panel, and there is a speaker output which connects to the passive "slave" loudspeaker.

### Daisy-Chain

If you require two pairs for the room an audio output allows you to pass the audio signal on to a second pair of CS-1800P. In fact you can daisy-chain as many pairs as you need using this line-level audio output.

### RS-232

To assist with integration into a fully controlled audio-visual environment these loudspeakers can be controlled with RS-232 (serial) codes.

### Memory

When power is connected the CS-1800P automatically turns on and remembers the previous input and volume setting. Restoring power brings the loudspeakers back to life automatically.

### 2-Way Drivers

These loudspeakers feature a two-way woofer and tweeter design which sounds great in presentation or teaching environments.

### Auto-Standby

If the amplifier senses no input it will automatically go into standby mode. As soon as you press play on your source device it will automatically switch on again. This automatic feature can be disabled with the remote control.



### Bezel-less Grille

The bezel-less grille clips into place magnetically once the speakers are secured.

Simple to fit

A cutout template is included so the installer can easily trace the cut line in the ceiling tile.

Cut a 198 mm (7.8" ) hole and fit the speaker; it's quick and easy.

Shallow

Only 95 mm (3.74" ) deep, the CS-1800P can be placed optimally around the room. They fit in any environment which has a false ceiling.

Crossover

A high quality crossover circuit is included to split the work between the woofer and tweeter.

[Manual](#)

## Specifications



LOUDSPEAKER DIMENSIONS: 232 x 95 mm/ 9.1" x 3.7" (diameter

224 mm without grille)

CUTOUT SIZE: 198 mm / 7.8"

CARTON DIMENSIONS: 250 x 250 x 270 mm / 9.8" x 9.8" x 10.6"

SPEAKER WEIGHT

Master: 1.3 kg / 2.9 lbs

Slave: 1.2 kg / 2.7 lbs

CARTON WEIGHT 4.0 kg / 8.8 lbs (per pair)

CONSTRUCTION MATERIAL: Plastic (ABS)

COLOUR: White

TECHNICAL DETAILS:

Amplifier Output: 2 x 30 watts (RMS)

Woofer: 6.5" Polypropylene

Tweeter: 0.5" Silk

Output Impedance: 8 ohms

Sensitivity: 89 dB (1w/1m)

Frequency response: 80 Hz-20 kHz

Power Consumption:  $\leq$  70 w

MASTER LOUDSPEAKER

CONNECTIVITY:

Line-Level Input: 2-Phono or 3.5mm Minijack

Speaker Output: Phoenix connector

Daisy-chain Input: 3.5mm Minijack

Daisy-chain Output: 3.5mm Minijack

SLAVE LOUDSPEAKER INPUT:

Speaker input: Phoenix connector

ACCESSORIES INCLUDED:

1 x Speaker Cable 5 m (16.4' ) long

1 x Remote Control (Battery included: CR2025 3V Li-Mn)

POWER SUPPLY: 100-240v 50/60Hz AC External Power Supply - 24 volt / 3 amp.

Laptop-style transformer. Includes 4 x 0.5m figure-8 power cables: UK/EU/US/AU. DC tail length: 4m.

Transformer dimensions: 120 x 52 x 32 mm / 4.72" x 2.0" x 1.2"

WARRANTY 3-year return to base

COMPLIANCE: RoHS, **CE/EMC**, **IEC**, **FCC**, **SIG**, **RCM**, **TVC**

ORDER PART CODE: CS-1800P [SAP: 3715630]

SPARE IR REMOTE CONTROL: CS-1800P RC [SAP: 3940955]

SPARE POWER SUPPLY UNIT (PSU): TC2 P24V3A [SAP: 3940953]

## **FCC STATEMENT :**

**This device complies with Part 15 of the FCC Rules.**

**Operation is subject to the following two conditions:**

- (1) This device may not cause harmful interference, and
- (2) This device must accept any interference received, including interference that may cause undesired operation.

**Warning:** Changes or modifications not expressly approved by the party responsible for compliance could void the user's authority to operate the equipment.

NOTE: This equipment has been tested and found to comply with the limits for a Class B digital device, pursuant to Part 15 of the FCC Rules. These limits are designed to provide reasonable protection against harmful interference in a residential installation. This equipment generates uses and can radiate radio frequency energy and, if not installed and used in accordance with the instructions, may cause harmful interference to radio communications. However, there is no guarantee that interference will not occur in a particular installation. If this equipment does cause harmful interference to radio or television reception, which can be determined by turning the equipment off and on, the user is encouraged to try to correct the interference by one or more of the following measures:

- Reorient or relocate the receiving antenna.
- Increase the separation between the equipment and receiver.
- Connect the equipment into an outlet on a circuit different from that to which the receiver is connected.
- Consult the dealer or an experienced radio/TV technician for help.

## **RF warning statement:**

This equipment complies with FCC radiation exposure limits set forth for an uncontrolled environment. This equipment should be installed and operated with minimum distance 20cm between the radiator & your body